



2x4 RJ45 With Integrated Magnetics

AR24-4464I

- 10/100/1000 Gigabit Base-T
- For PoE+ IEEE 802.3at Applications
- Balanced DC Current: 720mA Max @ 57V (Continuous)
- RJ45 Cavities conform to FC Rules and Regulation Part 68
- Industrial Temp: 40°C to ± 85°C
- The part is recommended for wave soldering process, peak soldering temperature is 260°C Max, 10 Sec Max



Electrical Specifications @ 25°C

| OCL(µH Min) @100KHz, 0.1V | | Turns Ratio @100KHz | DC Resistance | Insertion Loss (dB Max) | |
|------------------------------|-------------------|------------------------|------------------|----------------------------|------------|
| With 8mA DC Bias | With 21mA DC Bias | | | 1-100 MHz | 100-125MHz |
| 350 | 120 | 1:1 ±5% | 1.2Ω Max | -1.0 | -1.2 |

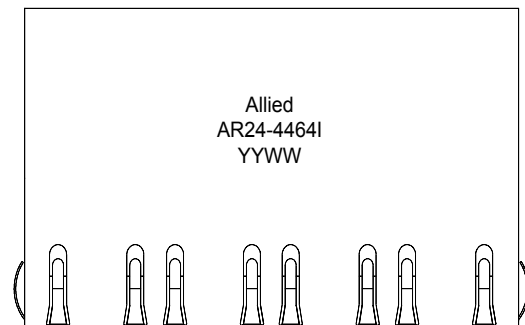
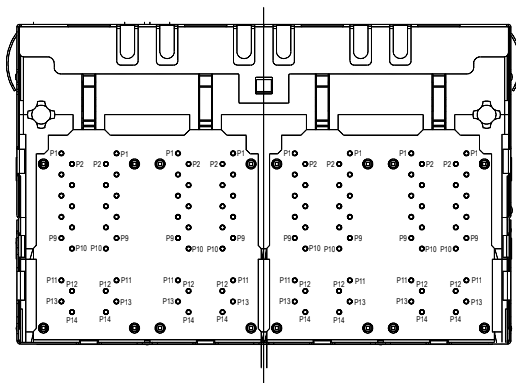
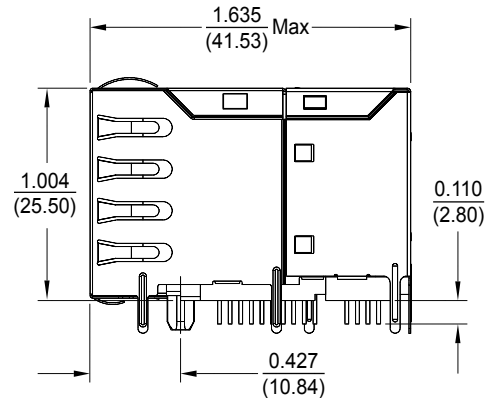
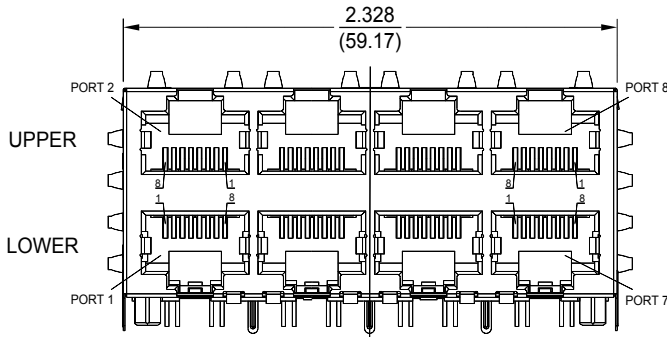
Electrical Specifications @ 25°C

| Cross Talk (dB Min) | Return Loss (dB Min) | | | | Common to Common Mode Attenuation (dB Min) | Isolation PHY Side to Line Side |
|------------------------|-------------------------|----------|----------|-----------|---|---------------------------------------|
| 1-100MHz | 1-40MHz | 40-60MHz | 60-80MHz | 80-100MHz | 1-100 MHz | 2250VDC |
| -30 | -16 | -12 | -10 | -8 | -30 | |

All specifications subject to change without notice.

MECHANICAL

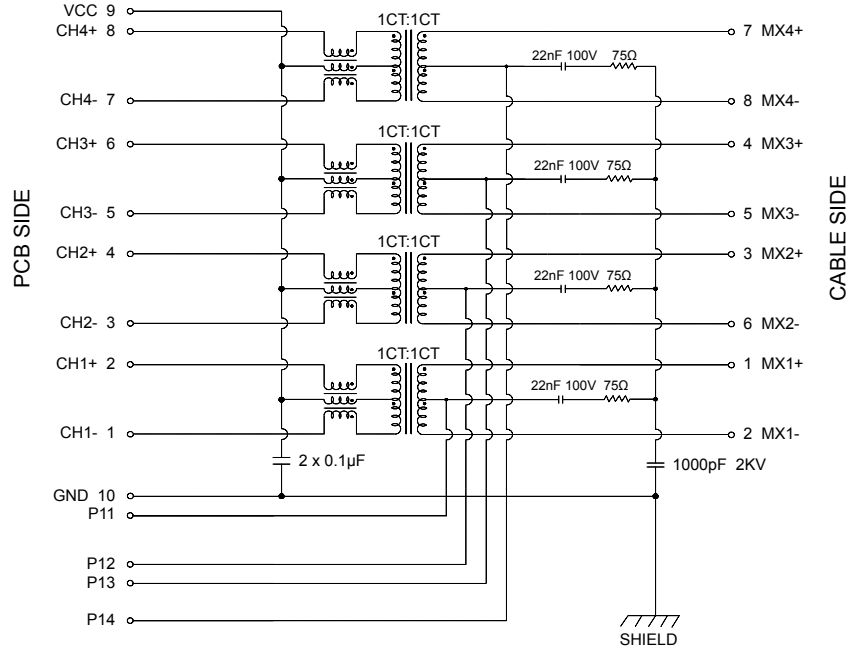
DIMENSIONS: $\frac{\text{inch}}{\text{(mm)}}$



Unless otherwise specified, all dimensions tolerances are ±0.010 (.254)

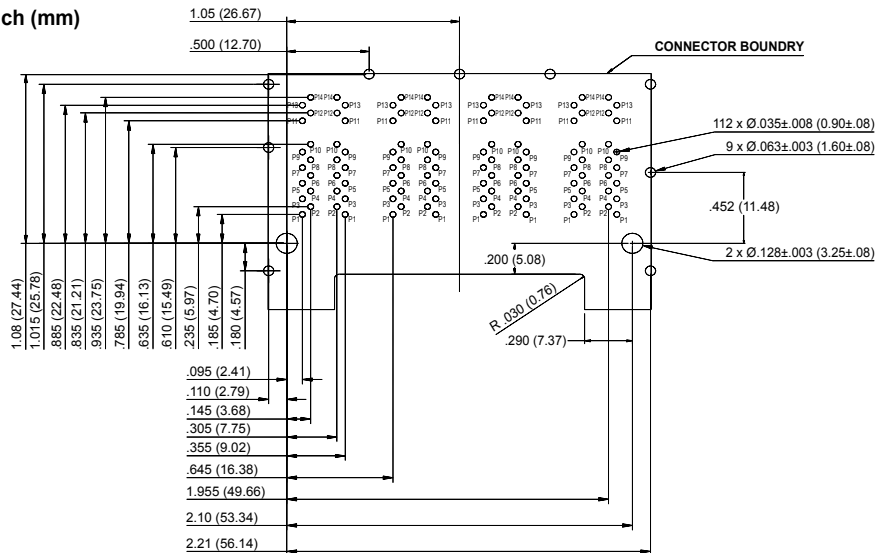


SCHEMATICS



PCB LAYOUT

DIMENSIONS: inch (mm)



NOTES

Unless otherwise specified, all dimensions tolerances are ±0.004 (.100)

- CONNECTOR MATERIAL:
HOUSING: LCP BLACK UL94V-0
SHIELD: BRASS
SHIELD PLATING: NICKEL
CONTACT: PHOSPHOR BRONZE
CONTACT PLATING: GOLD, 6µ" MIN IN CONTACT AREA
- PINS NOT ELECTRICALLY CONNECTED MAY BE OMITTED. SEE SCHEMATIC FOR OMITTED PINS