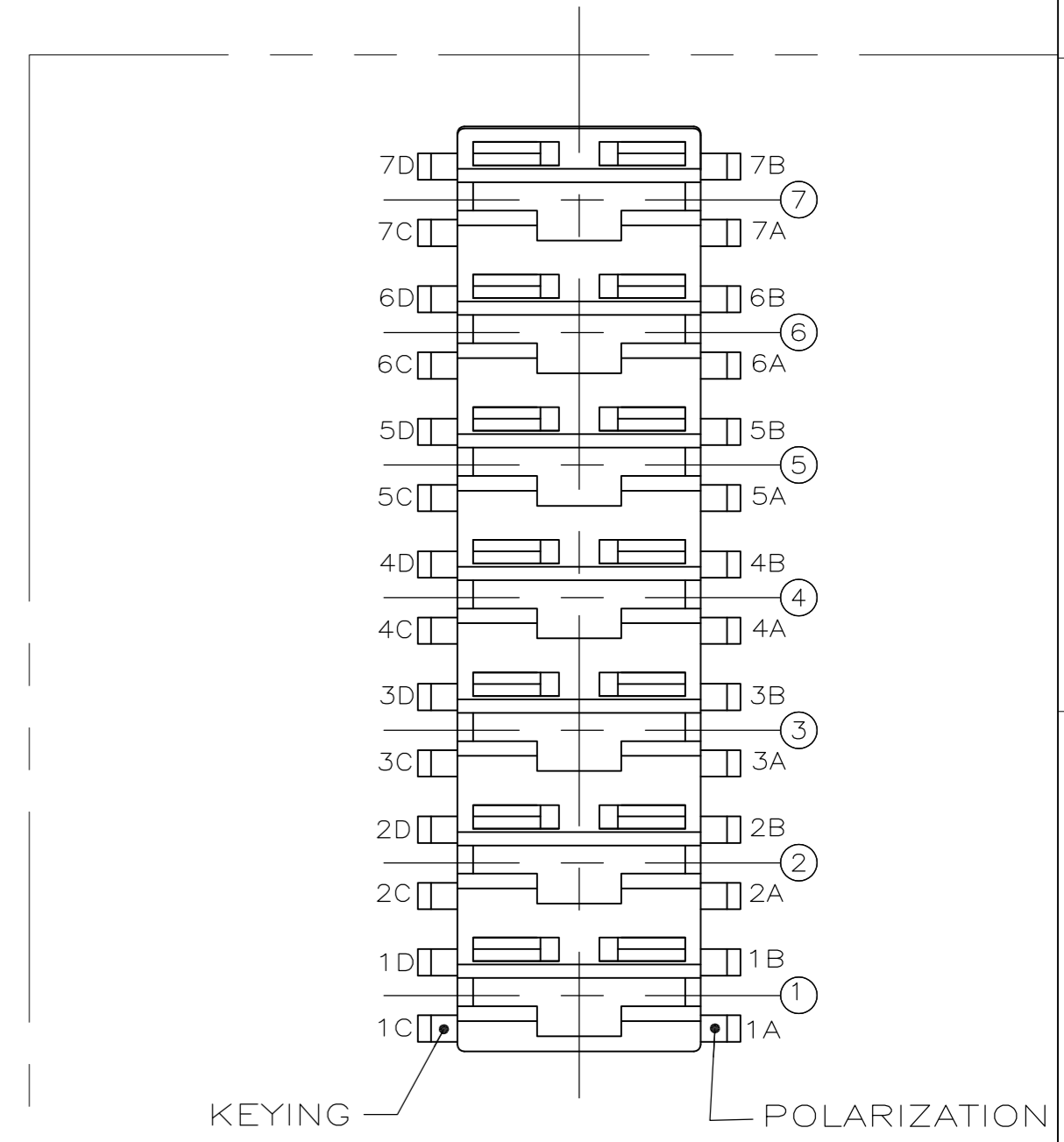
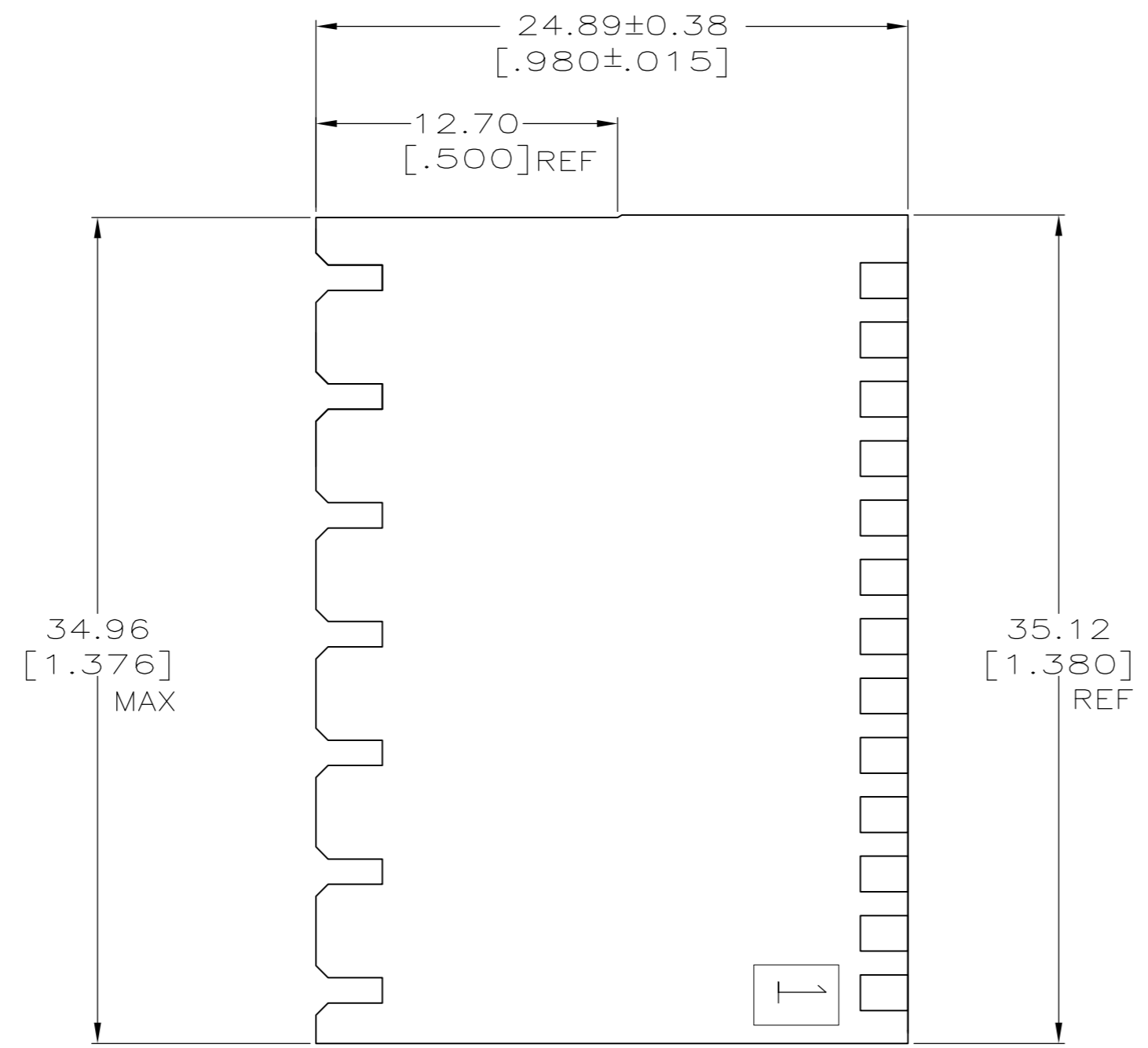
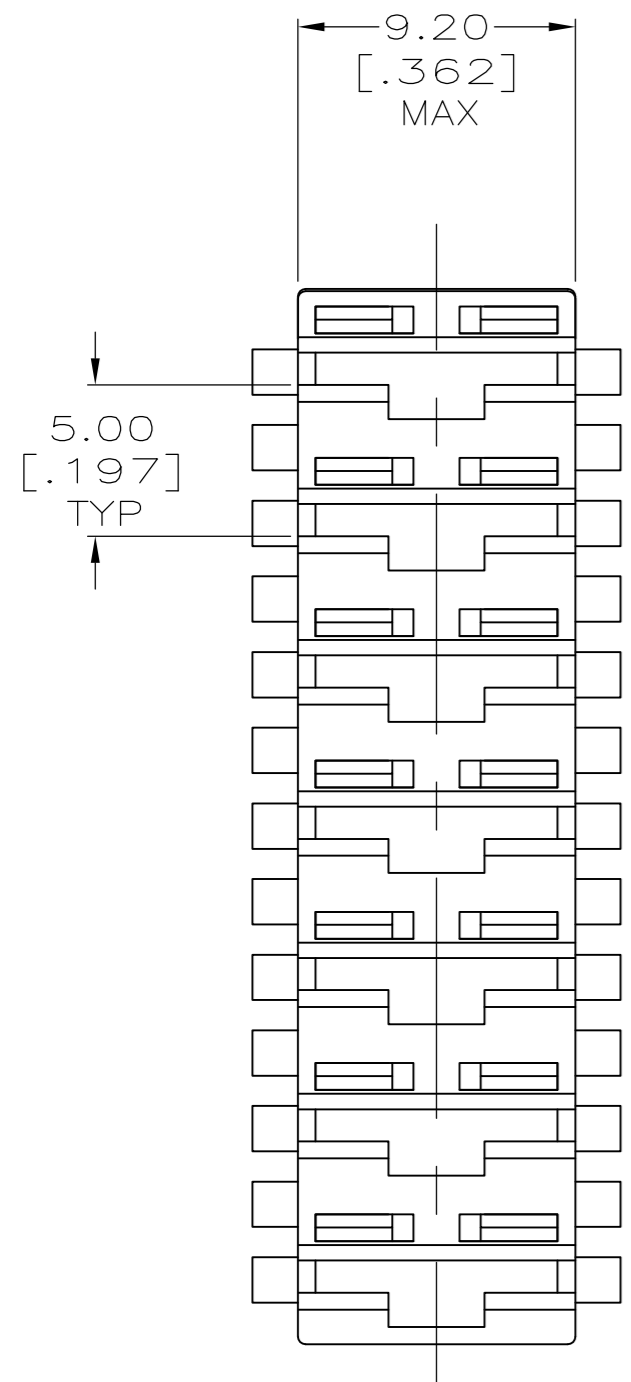
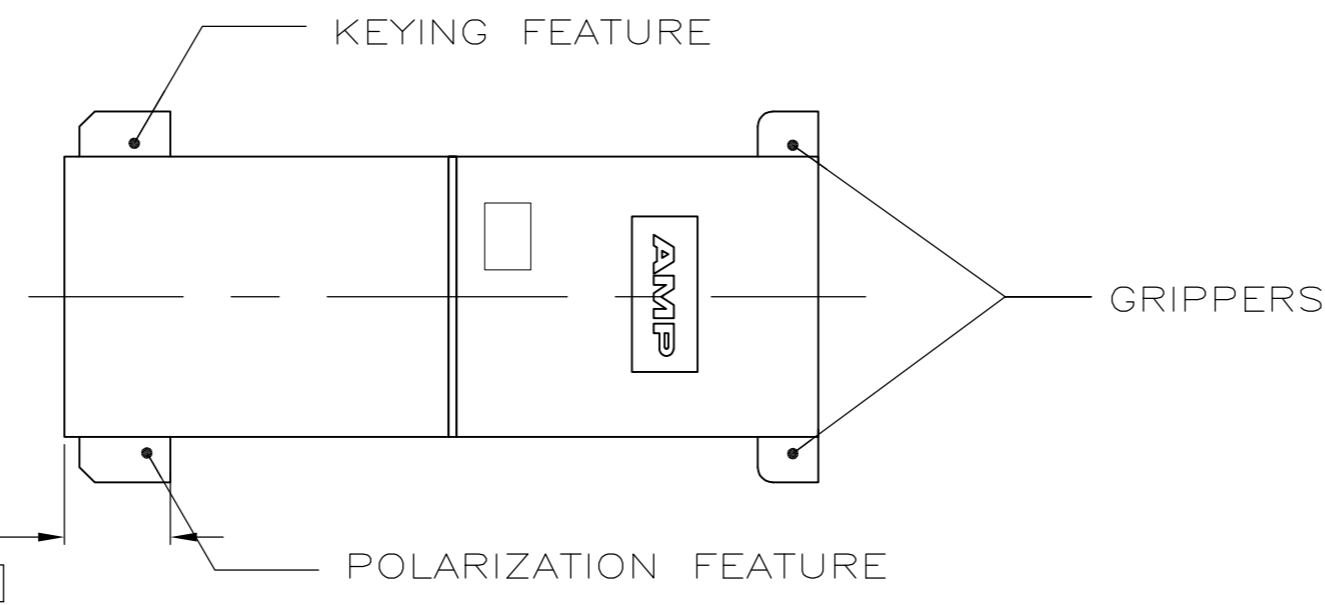


THIS DRAWING IS UNPUBLISHED. RELEASED FOR PUBLICATION
 © COPYRIGHT - By - ALL RIGHTS RESERVED.

LOC	DIST	REVISIONS			
P	LTR	DESCRIPTION	DATE	DWN	APVD
AF	50	G	REVISED PER ECR-16-001902	22MAR2016	BW JP



KEYING & POLARIZATION
 CODING AND COMBINATIONS
 SPECIAL FRONT VIEW

1 ACCEPTS RECEPTACLE CONTACTS 1217378(#18-#22 AWG SINGLE WIRE), 1217094(#18-#14 AWG SINGLE WIRE) AND 1217095 (TWO #18'S OR TWO #16'S OR A #16 + #18 COMBINATION).

2 FRONT AND BACK VIEWS SHOW ONLY THE GRIPPERS. FOR KEYING AND POLARIZATION FEATURES, SEE SPECIAL FRONT VIEW.

3 PRELIMINARY - NOT FOR PRODUCTION

---	BLUE	4C,7C	NONE	3 521209-3
---	BLUE	2C, 2D	NONE	521209-2
---	BLUE	NONE	NONE	521209-1
RAST 5 DESIGNATION	FINISH/COLOR	KEYING FEATURE	POLARIZATION FEATURES	PART NO.
THIS DRAWING IS A CONTROLLED DOCUMENT.		DWN JR RUTH 10/20/98	 TE Connectivity HOUSING, RECEPT, POSITIVE-LOCK, MKIII, 6.35 [.250] SERIES, 7 POSITION	
DIMENSIONS: mm		CHK MS FEHER 10/20/98		
TOLERANCES UNLESS OTHERWISE SPECIFIED:		APVD E HOWARD 10/20/98		
0 PLC ± - 1 PLC ± - 2 PLC ± 0.25 [.010] 3 PLC ± - 4 PLC ± - ANGLES ± -		PRODUCT SPEC -		
MATERIAL NYLON	FINISH BLUE	APPLICATION SPEC -	WEIGHT	SIZE A2
CUSTOMER DRAWING		SCALE 4:1	CAGE CODE 00779	DRAWING NO 521209
		SHEET 1 of 1	RESTRICTED TO -	
		REV G		