

Miniature solid-state relay - SIM-EI-120AC/48DC/100 - 2271112

Please be informed that the data shown in this PDF Document is generated from our Online Catalog. Please find the complete data in the user's documentation. Our General Terms of Use for Downloads are valid (<http://phoenixcontact.com/download>)




Input solid-state relay, with protective circuit in input and output circuits, input: 120 V AC, output: 8 - 48 V DC/100 mA

The illustration shows version SIM-EI- 5DC/48DC/100



Key commercial data

Packing unit	1 pc
GTIN	 4 017918 054151
Weight per Piece (excluding packing)	20.63 GRM
Custom tariff number	85364900
Country of origin	Germany

Technical data

Dimensions

Width	13 mm
Height	29 mm
Depth	25 mm

Ambient conditions

Ambient temperature (operation)	-20 °C ... 50 °C
Ambient temperature (storage/transport)	-20 °C ... 70 °C

Input data

Nominal input voltage U_N	120 V AC ± 10 %
Input voltage range in reference to U_N	0.9 ... 1.1
Switching threshold "0" signal in reference to U_N	≤ 0.4
Switching threshold "1" signal in reference to U_N	≥ 0.8

Miniature solid-state relay - SIM-EI-120AC/48DC/100 - 2271112

Technical data

Input data

Typical input current at U_N	2.1 mA
Type of protection	Protection against polarity reversal
	Surge protection
Protective circuit/component	Polarity protection diode
	Varistor
Transmission frequency	3 Hz

Output data

Output voltage range	8 V DC ... 48 V DC
Limiting continuous current	100 mA
Voltage drop at max. limiting continuous current	1 V
Output circuit	2-wire, floating
Type of protection	Protection against polarity reversal
Protective circuit/component	Polarity protection diode

General

Test voltage input/output	2.5 kV (50 Hz, 1 min.)
Mounting position	any
Assembly instructions	Can be aligned with 2 mm spacing
Operating mode	100% operating factor
Standards/regulations	DIN VDE 0110

Classifications

eCl@ss

eCl@ss 4.0	27371102
eCl@ss 4.1	27371102
eCl@ss 5.0	27371001
eCl@ss 5.1	27371001
eCl@ss 6.0	27371001
eCl@ss 7.0	27371001
eCl@ss 8.0	27371001

ETIM

ETIM 2.0	EC001504
ETIM 3.0	EC001504
ETIM 4.0	EC001504
ETIM 5.0	EC001504

Miniature solid-state relay - SIM-EI-120AC/48DC/100 - 2271112

Classifications

UNSPSC

UNSPSC 6.01	30211916
UNSPSC 7.0901	39121542
UNSPSC 11	39121542
UNSPSC 12.01	39121542
UNSPSC 13.2	39121542

Approvals

Approvals

Approvals

GOST

Ex Approvals

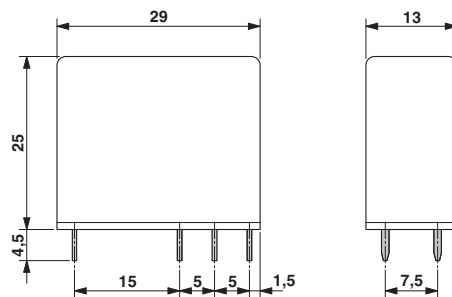
Approvals submitted

Approval details



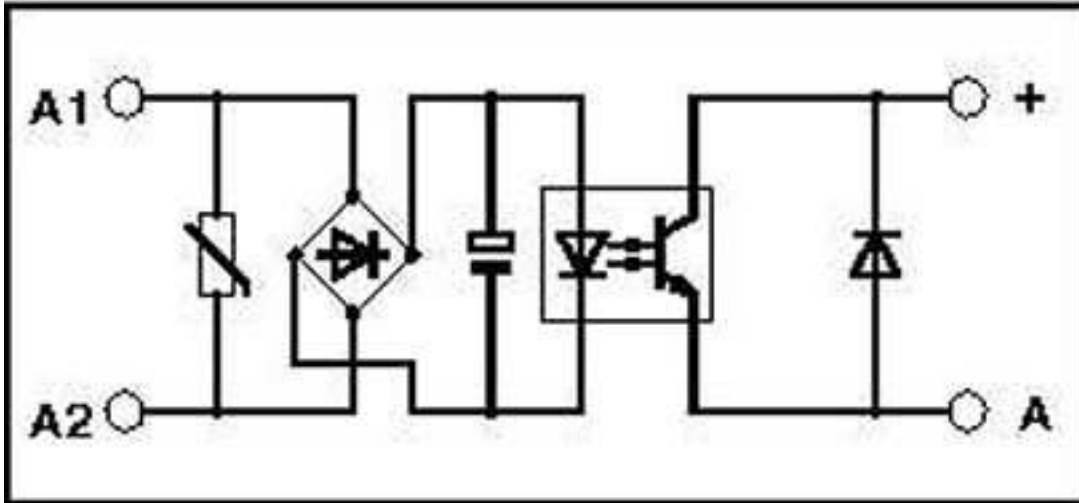
Drawings

Dimensioned drawing

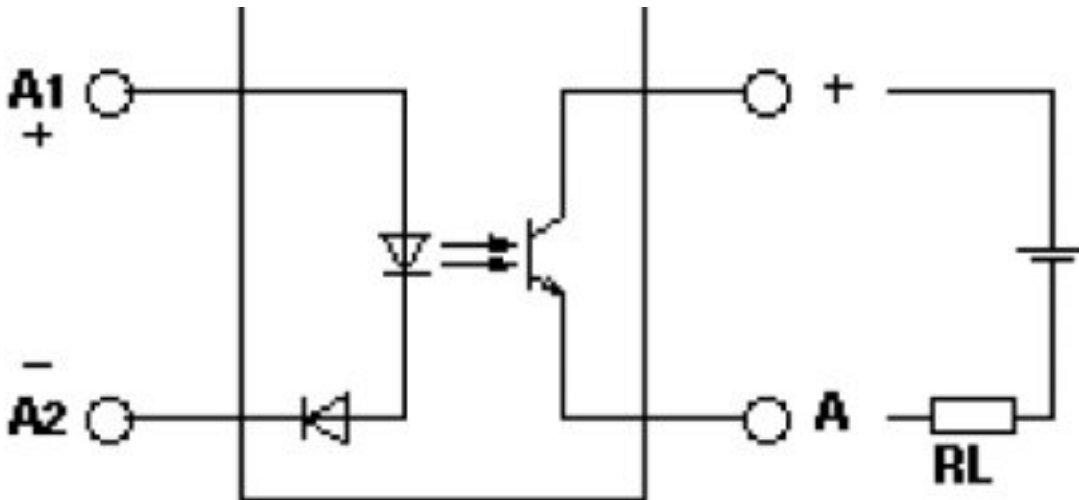


Miniature solid-state relay - SIM-EI-120AC/48DC/100 - 2271112

Circuit diagram



Circuit diagram



Miniature solid-state relay - SIM-EI-120AC/48DC/100 - 2271112

Schematic diagram

