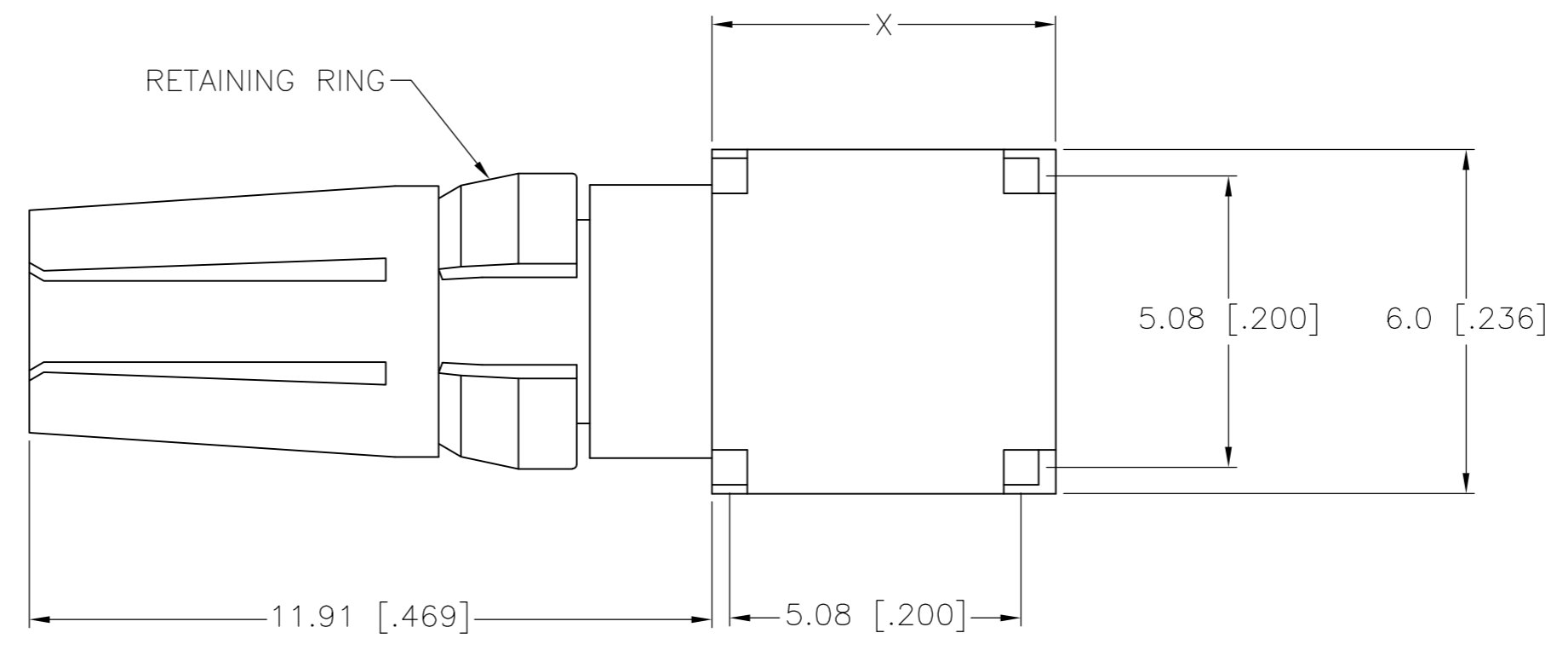
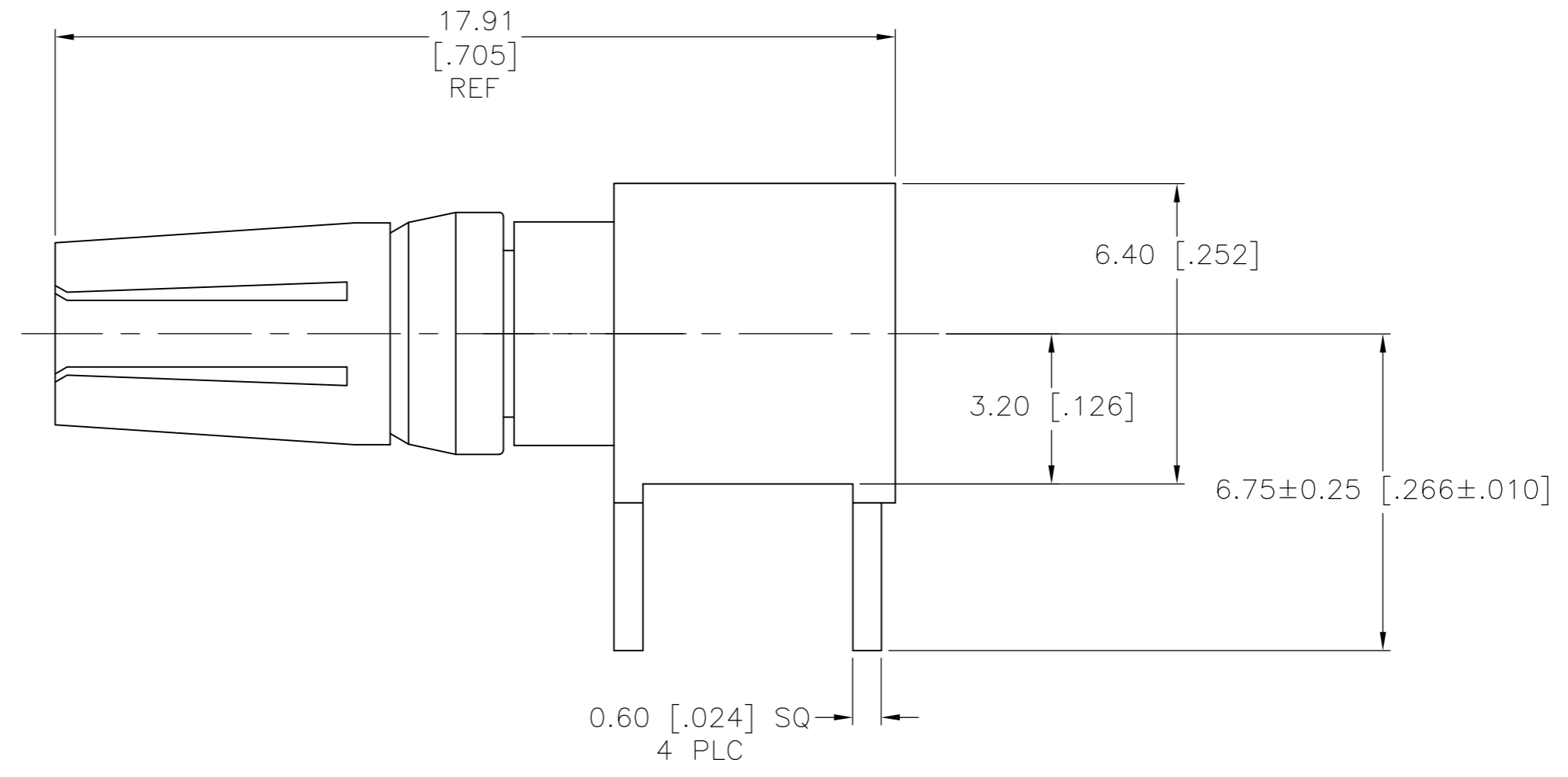


THIS DRAWING IS UNPUBLISHED. RELEASED FOR PUBLICATION
 © COPYRIGHT BY TYCO ELECTRONICS CORPORATION. ALL RIGHTS RESERVED.

LOC		DIST		REVISIONS			
P	LTR	DESCRIPTION		DATE	DWN	APVD	
	B	REV PER EC 0512-0302-05		14DEC05	BC	GS	
	C	ECR-10-019054		15SEP10	DP	MQW	



- 1 SUITABLE FOR FEMALE TYPE M CONNECTORS.
- 2 CONTACT SPRING: BERYLLIUM COPPER.
CONTACT BODY: BRASS.
RETAINING RING: BERYLLIUM COPPER.
- 3 CONTACT FINISH: 0.00127[.000050] MIN GOLD IN CONTACT AREA,
0.00254[.000100] MIN TIN IN AREA "X", ALL OVER
0.00127[.000050] NICKEL.
- 4 CONTACT FINISH: 0.00076[.000030] MIN GOLD IN CONTACT AREA,
0.00254[.000100] MIN TIN IN AREA "X", ALL OVER
0.00127[.000050] NICKEL.

OBSOLETE	4	5148513-2
	3	5148513-1
	FINISH	PART NUMBER

THIS DRAWING IS A CONTROLLED DOCUMENT.		DWN B.CARBO 15JUL05	Tyco Electronics Corporation Harrisburg, PA 17105-3608	
DIMENSIONS: mm [INCHES]		CHK A.SHARPE 15JUL05	NAME POWER CONTACT, EUROCARD TYPE M, FEMALE 90 DEGREE, PRINTED CIRCUIT BOARD MOUNT	
TOLERANCES UNLESS OTHERWISE SPECIFIED: ±0.2		APVD A.SHARPE 15JUL05	APPLICATION SPEC	
MATERIAL		FINISH	SIZE A2	CAGE CODE 00779
SEE TABLE		WEIGHT -	DRAWING NO C=5148513	RESTRICTED TO -
		CUSTOMER DRAWING	SCALE 8:1	SHEET 1 OF 1
			REV C	

5148513