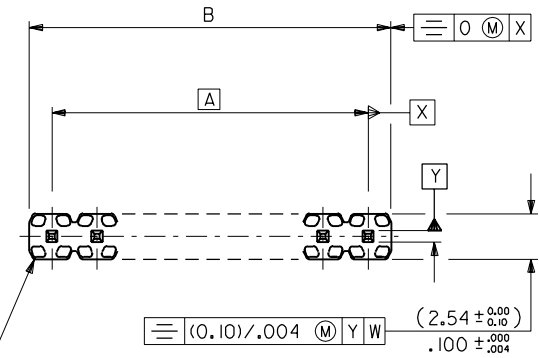
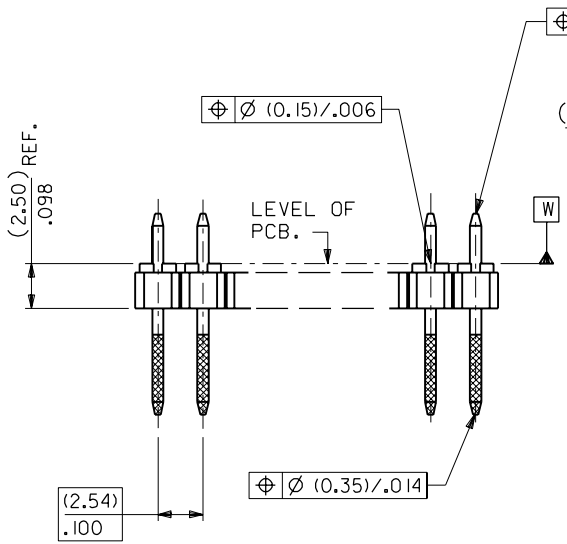


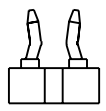
PART NO. SEE CHART  
 DWG. NO. SDA-90627



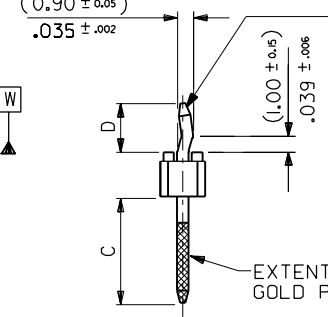
WAFER: 15% G.F. POLYESTER  
 TO UL 94V-0.  
 COLOUR : BLACK.



OPPOSING KINKS  
 VEIW SHOWS 1 X 2 CCT ONLY



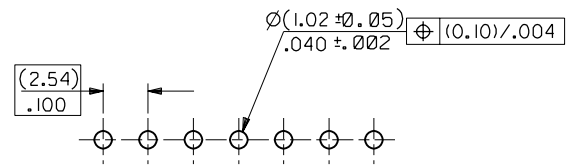
∅ (0.25)±.010



PINS: (0.635)±.025 SQ.  
 BRASS WIRE.  
 PLATED AS PER  
 SUBSEQUENT SHEETS

NOTES

- FOR ASSY NUMBERS WITH FINISH OPTIONS AND DIM'S C & D SEE SUBSEQUENT SHEETS.
- PCB THICKNESS: (1.37-1.80)±.054-.071.



RECOMMENDED P.C. BOARD HOLE PATTERN

2	B
1	B
SHL	REV.

CKT SIZE	DIM. "A"		DIM. "B" (+0.20) ±.008		CKT SIZE	DIM. "A"		DIM. "B" (+0.20) ±.008	
1X 1			(2.54)	.100	1X21	(50.80)	2.000	(53.34)	2.100
1X 2	(2.54)	.100	(5.08)	.200	1X22	(53.34)	2.100	(55.88)	2.200
1X 3	(5.08)	.200	(7.62)	.300	1X23	(55.88)	2.200	(58.42)	2.300
1X 4	(7.62)	.300	(10.16)	.400	1X24	(58.42)	2.300	(60.96)	2.400
1X 5	(10.16)	.400	(12.70)	.500	1X25	(60.96)	2.400	(63.50)	2.500
1X 6	(12.70)	.500	(15.24)	.600	1X26	(63.50)	2.500	(66.04)	2.600
1X 7	(15.24)	.600	(17.78)	.700	1X27	(66.04)	2.600	(68.58)	2.700
1X 8	(17.78)	.700	(20.32)	.800	1X28	(68.58)	2.700	(71.12)	2.800
1X 9	(20.32)	.800	(22.86)	.900	1X29	(71.12)	2.800	(73.66)	2.900
1X10	(22.86)	.900	(25.40)	1.000	1X30	(73.66)	2.900	(76.20)	3.000
1X11	(25.40)	1.000	(27.94)	1.100	1X31	(76.20)	3.000	(78.74)	3.100
1X12	(27.94)	1.100	(30.48)	1.200	1X32	(78.74)	3.100	(81.28)	3.200
1X13	(30.48)	1.200	(33.02)	1.300	1X33	(81.28)	3.200	(83.82)	3.300
1X14	(33.02)	1.300	(35.56)	1.400	1X34	(83.82)	3.300	(86.36)	3.400
1X15	(35.56)	1.400	(38.10)	1.500	1X35	(86.36)	3.400	(88.90)	3.500
1X16	(38.10)	1.500	(40.64)	1.600	1X36	(88.90)	3.500	(91.44)	3.600
1X17	(40.64)	1.600	(43.18)	1.700	1X37	(91.44)	3.600	(93.98)	3.700
1X18	(43.18)	1.700	(45.72)	1.800	1X38	(93.98)	3.700	(96.52)	3.800
1X19	(45.72)	1.800	(48.26)	1.900	1X39	(96.52)	3.800	(99.06)	3.900
1X20	(48.26)	1.900	(50.80)	2.000	1X40	(99.06)	3.900	(101.60)	4.000

STRAIGHT PINS  
 OMITTED FROM VIEW

FOR PREVIOUS  
 DRAWING ISSUES  
 SEE MRI.

NEW RELEASE  
 ECN E00166  
 10 SEPTEMBER 1990 RD

DIMENSIONS SHOWN ( METRIC ) INCH	
UNLESS OTHERWISE SPECIFIED TOLERANCES: ANGULAR ± 1/2°	
INCH ( METRIC )	
3 PLACE ± . ---	± .10
2 PLACE ± .004	± .25
1 PLACE ± .	
DRAFT WHERE APPLICABLE MUST REMAIN WITHIN DIMENSIONS	
DESIGN DIMENSION ( PRIMARY )	<input checked="" type="checkbox"/> (MM) <input type="checkbox"/> IN.
EQUIVALENT DIMENSION ( SECONDARY )	<input type="checkbox"/> (MM) <input checked="" type="checkbox"/> IN.

DRWG BY RD  
 CHK'D BY  
 APP'D BY  
 SCALE 4:1

REVISE ONLY ON CAD SYSTEM

CAD/CAM FILENAME: SA90627X1 DGN

THIS DRAWING CONTAINS INFORMATION THAT IS PROPRIETARY TO MOLEX INC. & SHOULD NOT BE USED WITHOUT WRITTEN PERMISSION

TITLE: C-GRID III SINGLE ROW KINKED PIN HEADER

MOLEX MOLEX EUROPE SHEET NO. DATE: 10F2 90/11/28

PART NO. SEE CHART DWG NO. SDA-90627 SIZE B

	10	9	8	7	6	5	4	3	2	1
F	PART NO. SEE CHART SDA-90627	CIRCUIT SIZE	PLATING TYPE A	PLATING TYPE E	PLATING TYPE F	KINKED PIN POSITION				
E			PART NO.	PART NO.	PART NO.					
D	DIM C (±0.25) ±0.00 (6.75) .266	1 X 1	90627-0121	90627-0761	90627-0921	嘴				
C		1 X 2	90628-0121	90628-0761	90628-0921	SEE NOTE 1				
B	DIM D (±0.30) ±0.02 (2.90) .114	1 X 3	90627-0123	90627-0763	90627-0923	嘴				
A		1 X 4	↑ -0124	↑ -0764	↑ -0924	嘴				
		1 X 5	-0125	-0765	-0925	嘴				
		1 X 6	-0126	-0766	-0926	嘴				
		1 X 7	-0127	-0767	-0927	嘴				
		1 X 8	-0128	-0768	-0928	嘴				
		1 X 9	-0129	-0769	-0929	嘴				
		1 X 10	-0130	-0770	-0930	嘴				
		1 X 11	-0131	-0771	-0931	1.6 & 11				
		1 X 12	-0132	-0772	-0932	1.6 & 12				
		1 X 13	-0133	-0773	-0933	1.7 & 13				
		1 X 14	-0134	-0774	-0934	1.7 & 14				
		1 X 15	-0135	-0775	-0935	1.8 & 15				
		1 X 16	-0136	-0776	-0936	1.8 & 16				
		1 X 17	-0137	-0777	-0937	1.9 & 17				
		1 X 18	-0138	-0778	-0938	1.9 & 18				
		1 X 19	-0139	-0779	-0939	1.10 & 19				
		1 X 20	-0140	-0780	-0940	1.10 & 20				
		1 X 21	-0141	-0781	-0941	1.11 & 21				
		1 X 22	-0142	-0782	-0942	1.11 & 22				
		1 X 23	-0143	-0783	-0943	1.12 & 23				
		1 X 24	-0144	-0784	-0944	1.12 & 24				
		1 X 25	-0145	-0785	-0945	1.13 & 25				
		1 X 26	-0146	-0786	-0946	1.13 & 26				
		1 X 27	-0147	-0787	-0947	1.14 & 27				
		1 X 28	-0148	-0788	-0948	1.14 & 28				
		1 X 29	-0149	-0789	-0949	1.15 & 29				
		1 X 30	-0150	-0790	-0950	1.15 & 30				
		1 X 31	-0151	-0791	-0951	1.16 & 31				
		1 X 32	-0152	-0792	-0952	1.16 & 32				
		1 X 33	-0153	-0793	-0953	1.17 & 33				
		1 X 34	-0154	-0794	-0954	1.17 & 34				
		1 X 35	-0155	-0795	-0955	1.18 & 35				
		1 X 36	-0156	-0796	-0956	1.18 & 36				
		1 X 37	-0157	-0797	-0957	1.19 & 37				
		1 X 38	-0158	-0798	-0958	1.19 & 38				
		1 X 39	↓ -0159	↓ -0799	↓ -0959	1.20 & 39				
		1 X 40	90627-0160	90627-0800	90627-0960	1.20 & 40				

NOTES:  
 1. SEE SHEET 1 FOR KINK DETAIL.  
 2. FOR PLATING VARIATIONS SEE ENG.STD. SDES-99000-0003.

FOR PREVIOUS DRAWING ISSUES SEE MRI.

SEE SHEET 1.

REVISIONS	DIMENSIONS SHOWN (METRIC) INCH	
	UNLESS OTHERWISE SPECIFIED TOLERANCES: ANGULAR ± 1/2°	
	INCH	(METRIC)
	3 PLACE ± .	
	2 PLACE ± .	±
	1 PLACE ±	±
	DRAFT WHERE APPLICABLE MUST REMAIN WITHIN DIMENSIONS	
	DESIGN DIMENSION	<input checked="" type="checkbox"/> (MM)
	(PRIMARY)	<input type="checkbox"/> IN.
	EQUIVALENT DIMENSION	<input type="checkbox"/> (MM)
	(SECONDARY)	<input checked="" type="checkbox"/> IN.

DRWG BY	RD
CHK'D BY	
APP'D BY	
SCALE	

REVISE ONLY ON CAD SYSTEM		SH.	REV.
CAD/CAM FILENAME SA90627X2 DCN	THIS DRAWING CONTAINS INFORMATION THAT IS PROPRIETARY TO MOLEX INC. & SHOULD NOT BE USED WITHOUT WRITTEN PERMISSION		
TITLE C-GRID III SINGLE ROW KINKED PIN HEADER			
MOLLEX EUROPE		SHEET NO. 20F	DATE 90/08/11
PART NO. SEE CHART	DWG NO. SDA-90627	SIZE B	