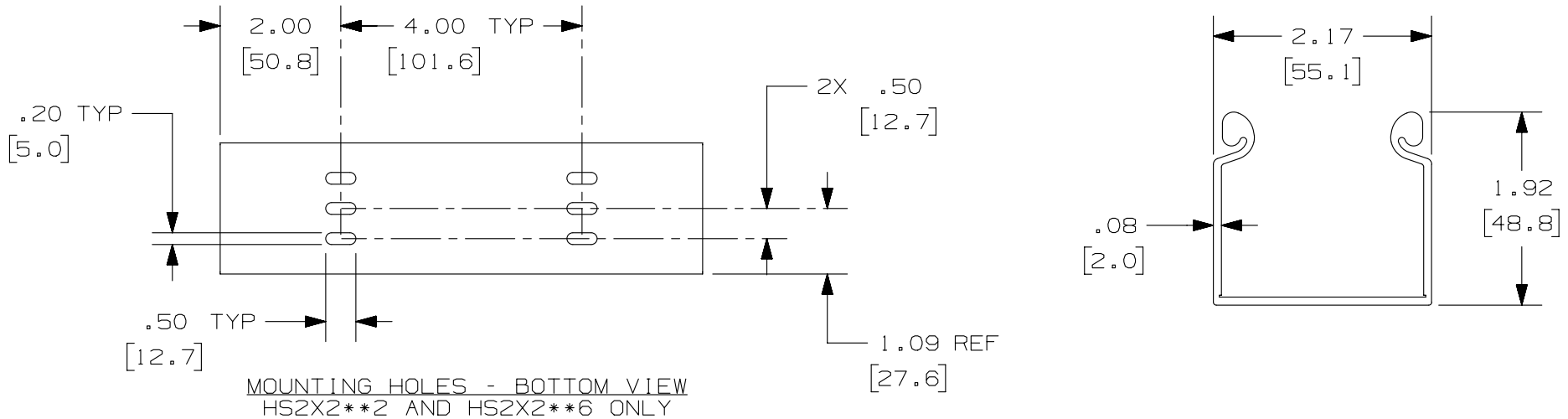


THIS COPY IS PROVIDED ON A RESTRICTED BASIS AND IS NOT TO BE USED IN ANY WAY DETRIMENTAL TO THE INTERESTS OF PANDUIT CORP.

PANDUIT PART NUMBER	LENGTH	WEIGHT	WEIGHT/LENGTH
HS2X2**2 (SEE NOTE 1)	78.74 IN ±.18 IN (2000.0mm ±4.6mm)	2.56 LB (1161g)	0.39 LB/FT (5.8g/cm)
HS2X2**6 (SEE NOTE 1)	72.00 IN ±.18 IN (1828.8mm ±4.6mm)	2.34 LB (1061g)	0.39 LB/FT (5.8g/cm)
HS2X2**2NM (SEE NOTE 1)	78.74 IN ±.18 IN (2000.0mm ±4.6mm)	2.62 LB (1188g)	0.40 LB/FT (6.0g/cm)
HS2X2**6NM (SEE NOTE 1)	72.00 IN ±.18 IN (1828.8mm ±4.6mm)	2.40 LB (1088g)	0.40 LB/FT (6.0g/cm)

NOTES:

- SEE CURRENT CATALOG FOR ADDITIONAL PART SUFFIXES TO INDICATE COLOR AND/OR PACKAGE QUANTITY.
- DIMENSIONS IN PARENTHESES ARE IN METRIC.



REV	DATE	BY	CHK	APR	DESCRIPTION	ECN
1	05-03-13	JBN	RTFI	RN	A. REVISED DRAWING BORDER & TITLE BLOCK	38258-24
R	01-08-07	MSO	RN	RN	RELEASED TO PRODUCTION	38258-24

TITLE FIBERRUNNER 2X2 HINGED CHANNEL HS2X2**2, HS2X2**6, HS2X2**2NM, HS2X2**6NM		CUSTOMER DRAWING	
ITEM REVISION NAME D38258CI/00		PANDUIT	
DATASET FILE NAME D38258CI_DC_HS2X2/00B			
UNLESS OTHERWISE SPECIFIED, DIMENSIONAL TOLERANCES ARE: IN [mm]		MATERIAL: PVC	
.X ± .XX ± .03 [.8]		DRAWING NUMBER: 38258-24	
.XXX ± ANGLES ±		THIRD ANGLE PROJECTION	
DRAWN BY MSO	DATE 01-08-07	CHK RN	SCALE NONE
SHT 1 OF 1		SIZE A	

D10100DA/15