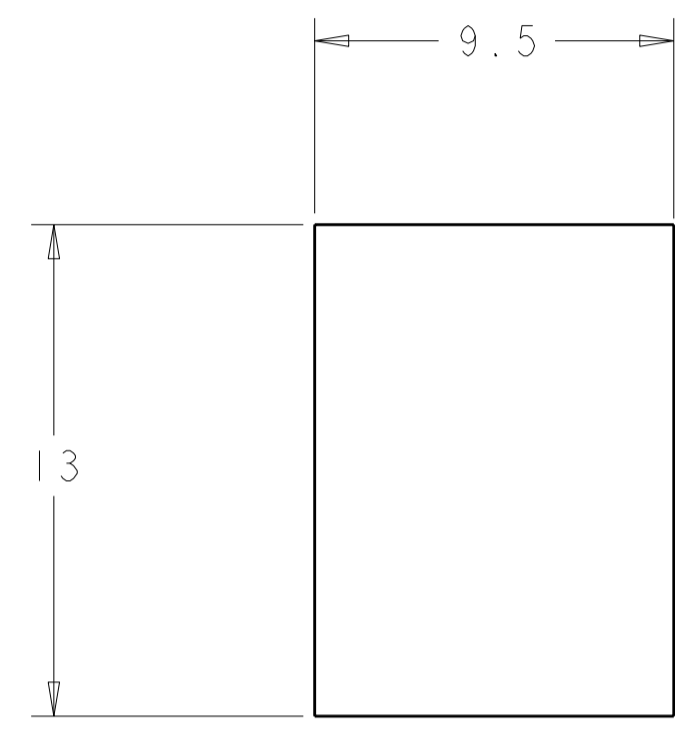
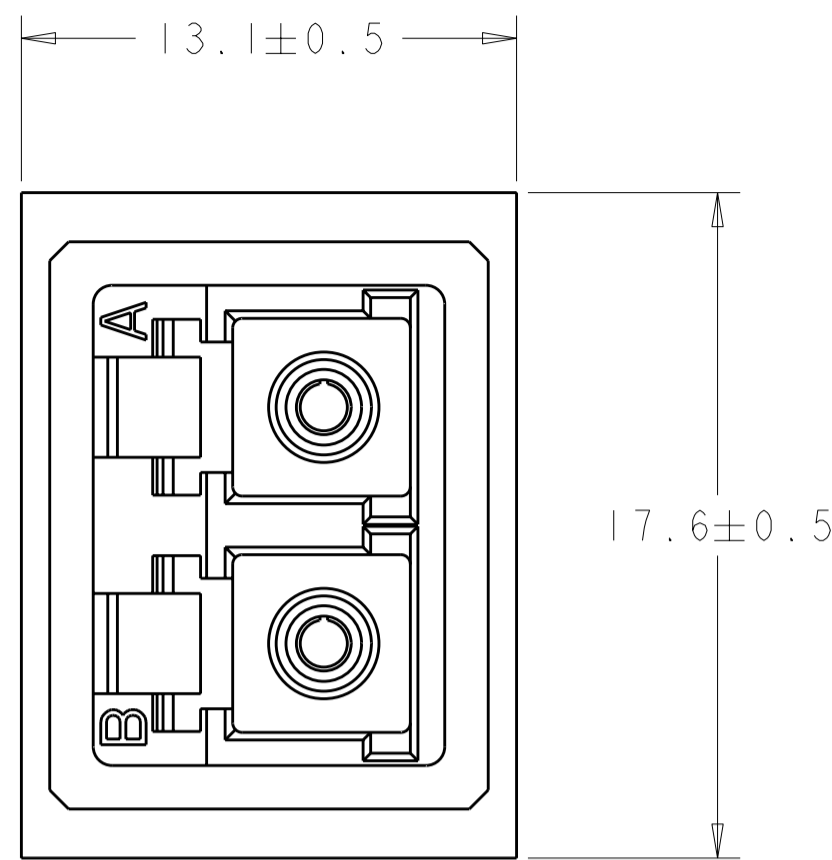
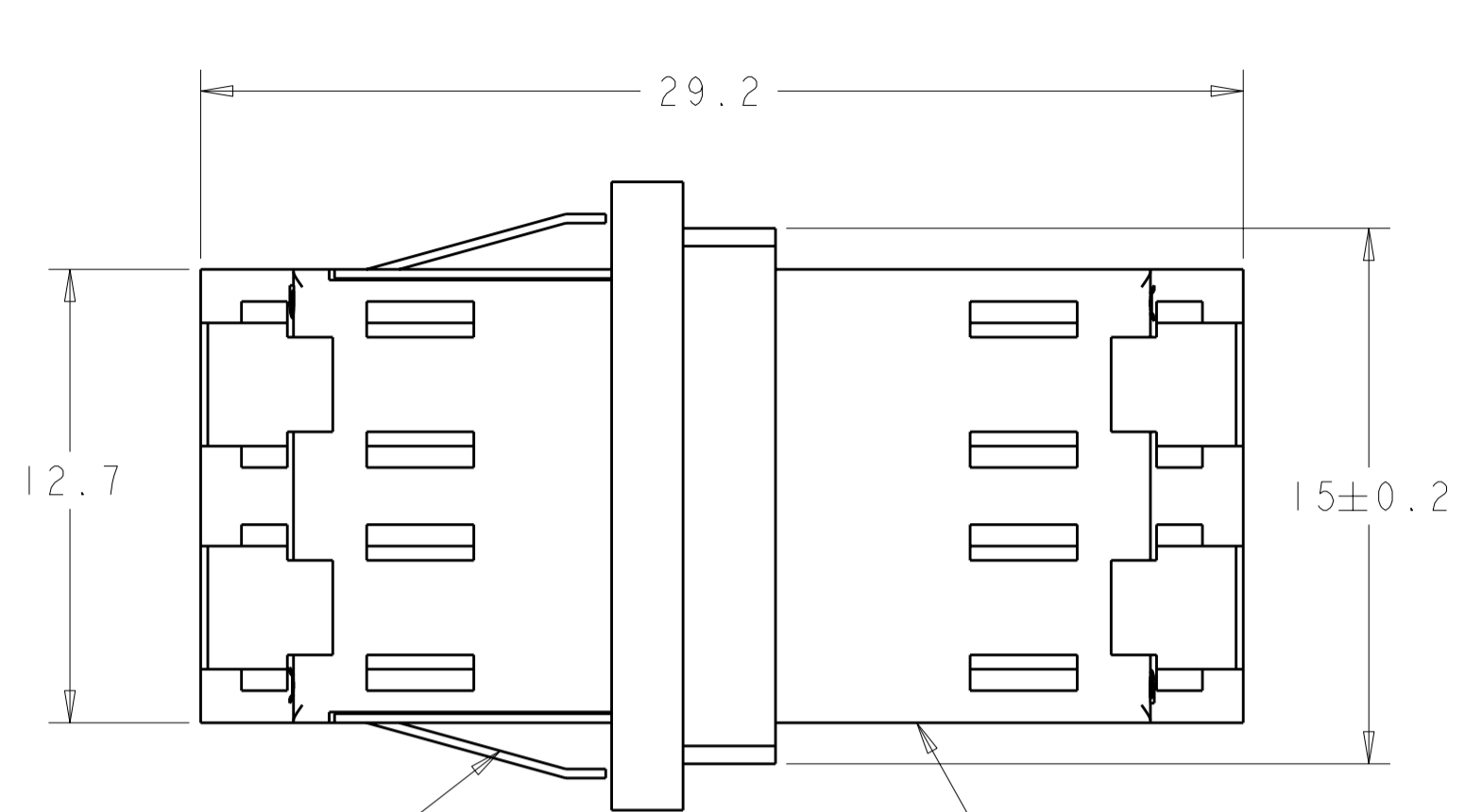
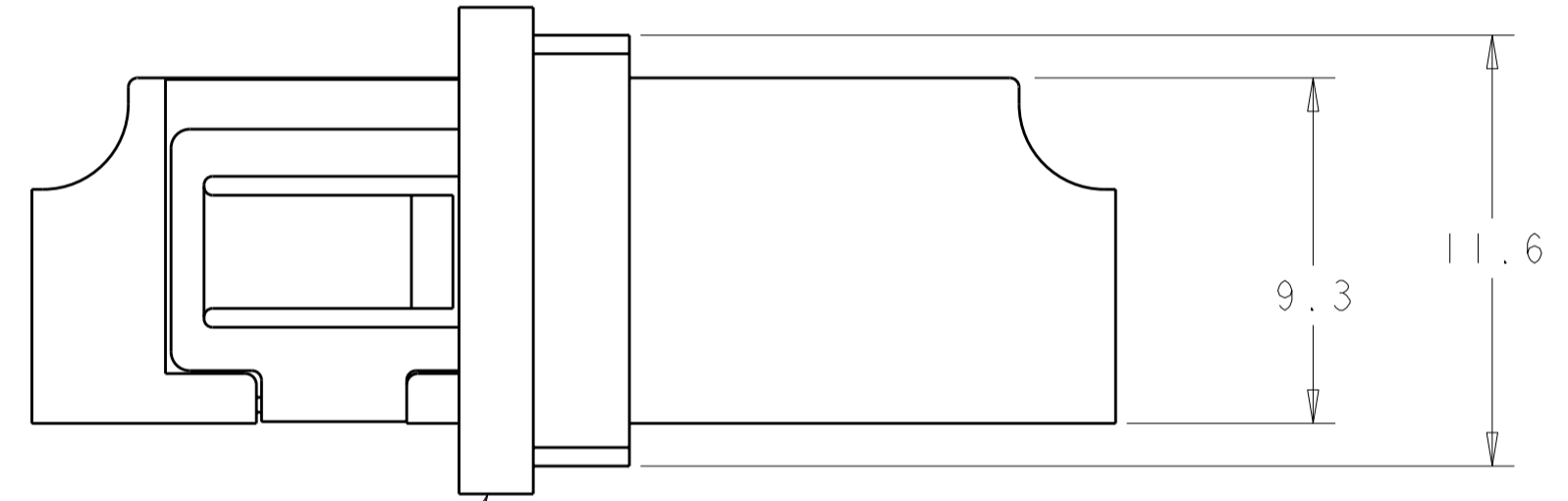


THIS DRAWING IS UNPUBLISHED. RELEASED FOR PUBLICATION 20  
 © COPYRIGHT 20 BY TYCO ELECTRONICS CORPORATION. ALL RIGHTS RESERVED.

LOC	DIST	REVISIONS			
P	LTR	DESCRIPTION	DATE	DWN	APVD
CE	00	A	ECR-09-013604	29JUN2009	BB SM
		AI	SHOW CORRECT GASKET	10DEC2009	BB SM
		B	ECR-10-003064	09FEB2010	BB SM
		BI	CHANGE MAX DIMS TO NOMINAL	17MAR2010	BB SM



RETENTION CLIP RECEPTACLE HOUSING



EMI GASKET

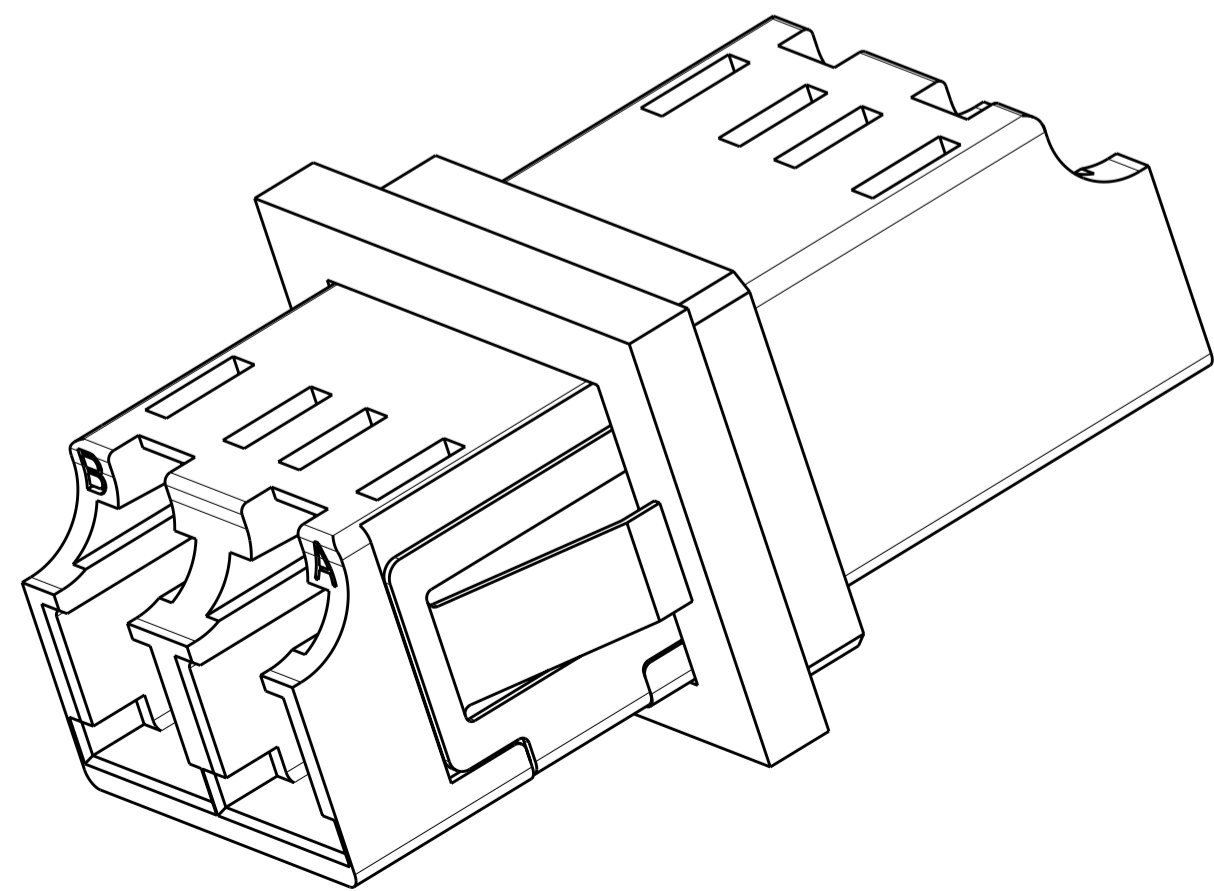
1 MATERIAL:  
 HOUSING: ZINC DIE CAST  
 PROTECTIVE CAPS: THERMOPLASTIC ELASTOMER  
 ALIGNMENT SLEEVE: CERAMIC  
 RETENTION CLIP: STAINLESS STEEL  
 GASKET: CONDUCTIVE FOAM

2 FINISH:  
 HOUSING: ELECTROLESS NICKEL OVER COPPER

3. PROTECTIVE CAPS (DUPLEX) ARE SUPPLIED, BUT NOT SHOWN.

4. RECOMENDED PANEL THICKNESS 1.60±0.13.

RECOMMENDED PANEL CUTOUT



2064745-1  
 PART NUMBER

THIS DRAWING IS A CONTROLLED DOCUMENT FOR TYCO ELECTRONICS CORPORATION. IT IS SUBJECT TO CHANGE AND THE CONTROLLING ENGINEERING ORGANIZATION SHOULD BE CONTACTED FOR THE LATEST REVISION.		DWN B. BRIGGS 15DEC2008	Tyco Electronics Harrisburg, PA 17105-3608	
DIMENSIONS: mm		CHK S. MILLER 15DEC2008	NAME ASSEMBLY, DUPLEX LC RECEPTACLE, SR-SR, EMI FLANGE	
TOLERANCES UNLESS OTHERWISE SPECIFIED: 0 PLC ±0.1 1 PLC ±0.1 2 PLC ± 3 PLC ± 4 PLC ± ANGLES ± FINISH		APVD D. BAECHTLE 15DEC2008	PRODUCT SPEC -	RESTRICTED TO -
MATERIAL		APPLICATION SPEC -	WEIGHT -	SCALE 5:1
1		CUSTOMER DRAWING	SIZE A2 CAGE CODE 00779 DRAWING NO. 2064745	SHEET 1 OF 1
				REV BI