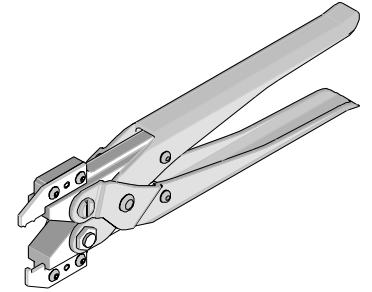




**DaughterCard Receptacle  
Single Wafer Removal Tool  
Instruction Sheet  
Order No 62202-2083**



**FEATURES**

- A pliers-type tool used in the repair of damaged connectors to remove individual wafers, which reduces connector replacement costs
- Lightweight manual tool that is easy to use
- High quality construction that will provide longevity with proper care of hand tool
- See 62202-2000 GbX® Backplane and DaughterCard Installation Tooling Operation Manual for more information on tooling, presses and repair

**SCOPE**

Products: GbX®\* Connector System for 2 pair series. See Product List below for specific part numbers.

\*GbX and VHDM-HSD are a registered trademark of Amphenol Corporation.

**Product List**

The following is a partial list of the product order numbers and their specifications this tool is designed to run. Updates to this list are available on [www.molex.com](http://www.molex.com).

Connector Series No.	2- Pair Connector Order No.						
75650	75650-0001	75650-0014	75650-0024	75650-0049	75650-0056	75650-0064	75650-0071
	75650-0002	75650-0015	75650-0036	75650-0050	75650-0059	75650-0065	
	75650-0005	75650-0016	75650-0041	75650-0051	75650-0060	75650-0066	
	75650-0007	75650-0017	75650-0044	75650-0052	75650-0061	75650-0068	
	75650-0012	75650-0021	75650-0046	75650-0054	75650-0062	75650-0069	
	75650-0013	75650-0023	75650-0048	75650-0055	75650-0063	75650-0070	
75676	75676-0011	75676-0014	75676-0016	75676-0018	75676-0020	75676-0023	
	75676-0013	75676-0015	75676-0017	75676-0019	75676-0022		
75874	75874-0001	75874-0005	75874-0008	75874-0010	75874-0014	75874-0016	75874-0018
	75874-0002	75874-0007	75874-0009	75874-0013	75874-0015	75874-0015	

**DESCRIPTION:**

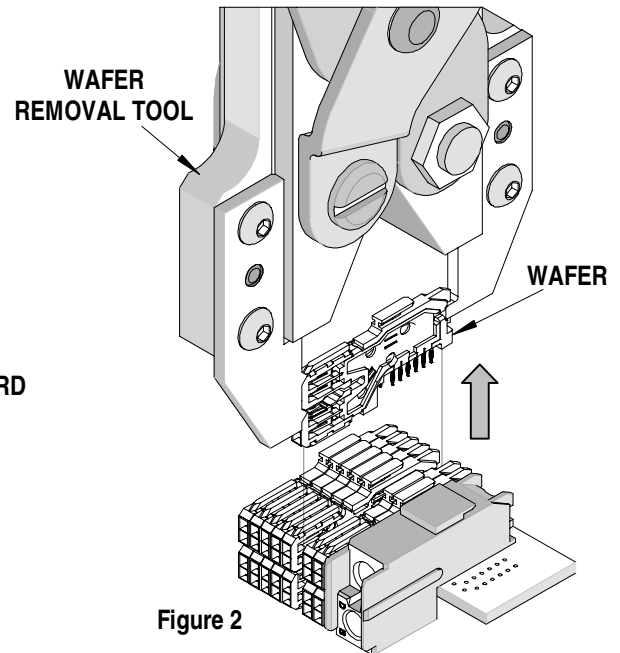
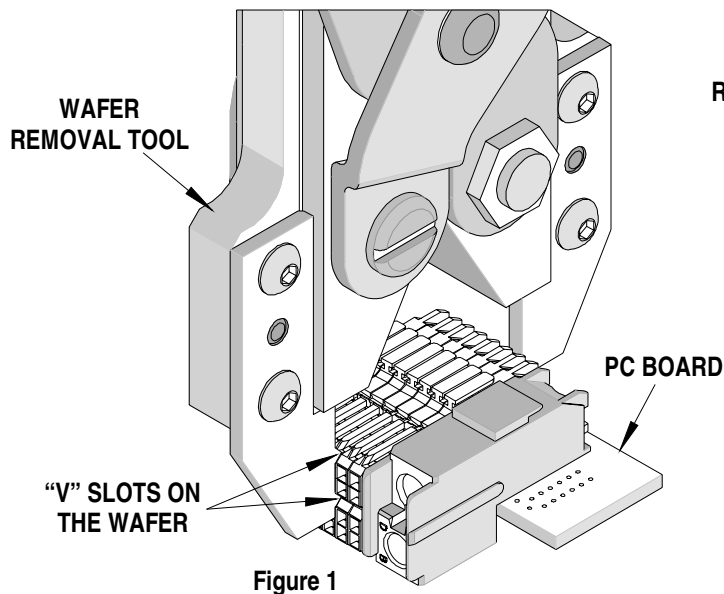
The 62202-2083 GbX® single wafer removal tool is a simple pliers- type tool for removing individual wafers from GbX® DaughterCard assemblies. The tool is approximately 203mm (8 in.) long by 51mm (2 in.) wide (closed) by 25mm (1 in.) thick and weighs .48 kg (1 lb).

**OPERATION:**

1. Before removing individual wafers from a DaughterCard assembly, you must first remove the stiffener. (See 62202-2900 (2-pair), Stiffener Removal Tool).
2. After removing the stiffener, identify the GbX wafer that needs to be replaced.

**NOTE:** Marking the defective wafer with white correction fluid or other similar material will aid in the removal process.

- Position the Wafer Removal Tool over the defective wafer with the teeth in the jaws over the “V” slots on the end of the wafer. See Figure 1.



- While holding the tool in position over the wafer, squeeze the handles until the jaws clamp the defective wafer.
- While applying pressure to the handles, pull straight up until the wafer slips out of the assembly. See Figure 2.
- It may be necessary to also remove and replace adjacent wafers as they are easily damaged in the process of removal.
- Refer to 62202-2000 GbX® Backplane and DaughterCard Installation Tooling Operation Manual for proper operation, maintenance, and options of this tool.

## Maintenance

It is recommended that each operator of the tool be made aware of, and responsible for, the following maintenance steps:

- Remove dust, moisture, and other contaminants with a clean brush, or soft, lint free cloth.
- Do not use any abrasive materials that could damage the tool.
- Make certain all pins; pivot points and bearing surfaces are protected with a thin coat of high quality machine oil. Do not oil excessively.
- When tool is not in use, store in a clean, dry area.
- There are no repair parts available for this tool. Should the tool be damaged a new tool is required.

**CAUTION:** Molex specifications are valid only when used with Molex connectors and tooling.

**Americas Headquarters**  
Lisle, Illinois 60532 U.S.A.  
1-800-78MOLEX  
amerinfo@molex.com

**Far East North Headquarters**  
Yamato, Kanagawa, Japan  
81-462-65-2324  
feninfo@molex.com

**Far East South Headquarters**  
Jurong, Singapore  
65-6-268-6868  
fesinfo@molex.com

**European Headquarters**  
Munich, Germany  
49-89-413092-0  
eurinfo@molex.com

**Corporate Headquarters**  
2222 Wellington Ct.  
Lisle, IL 60532 U.S.A.  
630-969-4550  
Fax: 630-969-1352

Visit our Web site at <http://www.molex.com>

