



Terminals & Splices > Quick Disconnects



Quick Disconnect Terminal Type: **Receptacle**

Wire Size: **1.03 – 2.62 mm²**

Mating Tab Width: **9.53 mm [.375 in]**

Mating Tab Thickness: **1.22 mm [.048 in]**

Features

Product Type Features

Insertion Force	Normal
-----------------	--------

Configuration Features

Compatible With Wire & Cable Type	Discrete Wire
-----------------------------------	---------------

Contact Features

Quick Disconnect Terminal Type	Receptacle
Mating Tab Width	9.53 mm [.375 in]
Mating Tab Thickness	1.22 mm [.048 in]
Terminal Orientation	Straight
Contact Base Material	Phosphor Bronze
Terminal Plating Material	Tin
Crimp Type	F-Crimp
Barrel Type	Open

Termination Features

Product Terminates To	Wire & Cable
-----------------------	--------------



Mechanical Attachment

Wire Insulation Support	With
Mating Retention Type	Locking Lance

Dimensions

Terminal Material Thickness	.51 mm[.02 in]
Product Length	27 mm[1.063 in]
Compatible Insulation Diameter Range	2.4 – 3.7 mm[.094 – .146 in]
Wire Size	1.03 – 2.62 mm ²

Usage Conditions

Insulation Option	Uninsulated
-------------------	-------------

Packaging Features

Packaging Quantity	2000
Packaging Method	Reel

Product Compliance

[For compliance documentation, visit the product page on TE.com>](#)

EU RoHS Directive 2011/65/EU	Compliant
EU ELV Directive 2000/53/EC	Compliant
China RoHS 2 Directive MIIT Order No 32, 2016	No Restricted Materials Above Threshold
EU REACH Regulation (EC) No. 1907/2006	Current ECHA Candidate List: JUNE 2023 (235) Candidate List Declared Against: JAN 2023 (233) Does not contain REACH SVHC
Halogen Content	Low Halogen - Br, Cl, F, I < 900 ppm per homogenous material. Also BFR/CFR/PVC Free
Solder Process Capability	Not applicable for solder process capability

Product Compliance Disclaimer

This information is provided based on reasonable inquiry of our suppliers and represents our current actual knowledge based on the information they provided. This information is subject to change. The part numbers that TE has identified as EU RoHS compliant have a maximum concentration of 0.1% by weight in homogenous materials for lead, hexavalent chromium, mercury, PBB, PBDE, DBP, BBP, DEHP, DIBP, and 0.01% for cadmium, or qualify for an exemption to these limits as defined in the Annexes of Directive 2011/65/EU (RoHS2). Finished electrical and electronic equipment products will be CE marked as required by Directive 2011/65/EU. Components may not be CE marked. Additionally, the part numbers that TE has identified as EU ELV compliant have a maximum concentration of 0.1% by weight in homogenous materials for lead, hexavalent chromium, and mercury, and 0.01% for cadmium, or qualify for an exemption to these limits as defined in the Annexes of Directive 2000/53/EC (ELV). Regarding the REACH Regulation, the information TE provides on SVHC in articles for this part number is based on the latest European Chemicals Agency (ECHA) 'Guidance on

requirements for substances in articles' posted at this URL: <https://echa.europa.eu/guidance-documents/guidance-on-reach>

Compatible Parts




TE Part # 2-2150369-2
OCEAN_2.0_Applicator-E-120F180F



TE Part # 2-4150104-2
APPLICATOR TO MAKE LOOSE
PIECE TERMINALS



TE Part # 2150369-2
OCEAN_2.0_Applicator-E-120F180F



TE Part # 7-2150369-2
OCEAN_2.0_Applicator-E-120F180F



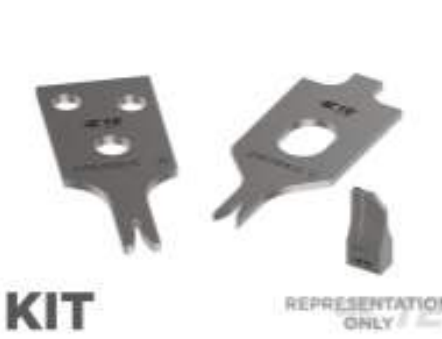
KIT
REPRESENTATION ONLY

TE Part # 7-2150369-7
OCEAN_2.0_SPARE_PART_KIT-
120F180F



REPRESENTATION ONLY

TE Part # 7-4150104-2
APPLICATOR TO MAKE LOOSE
PIECE TERMINALS



KIT
REPRESENTATION ONLY

TE Part # 7-4150104-7
TOOLING KIT TO MAKE LOOSE
PIECE TERMINAL



TE Part # 4150104-2
APPLICATOR TO MAKE LOOSE
PIECE TERMINALS




REPRESENTATION ONLY. DIE SET
MAY VARY. TE

TE Part # 2385411-1
SDE F SERIE 9.5 1.5-2.5 ASSY




TE Part # 1-1579001-2
DIE FOR FF-9,5 SERIE


Also in the Series | FASTIN-FASTON 375



Crimp Terminal Housings(9)

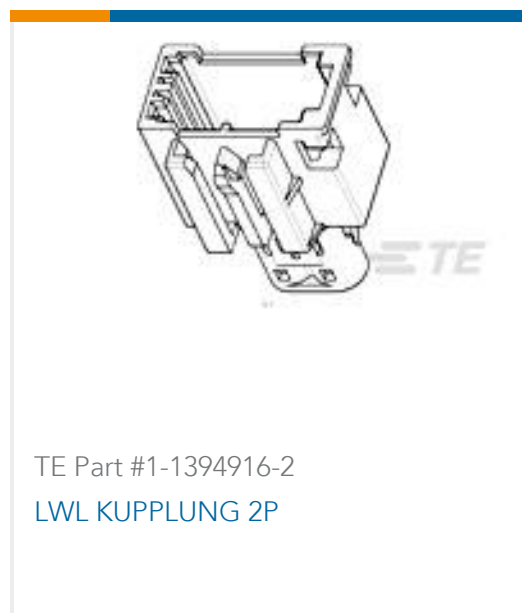


Insertion & Extraction Tools(1)



Quick Disconnects(20)

Customers Also Bought



Documents

Product Drawings

[FF 374 REC 1-2.5 MM2 0.5 X 0.27 TP CUSN4](#)

English

[FF 374 REC 1-2.5 MM2 0.5 X 0.27 TP CUSN4](#)

German

CAD Files

[3D PDF](#)

English

[Customer View Model](#)

[ENG_CVM_962835-3_E1.2d_dxf.zip](#)

English

[Customer View Model](#)

[ENG_CVM_962835-3_E1.3d_igs.zip](#)

English

[Customer View Model](#)

[ENG_CVM_962835-3_E1.3d_stp.zip](#)

English

By downloading the CAD file I accept and agree to the [Terms and Conditions](#) of use.



Datasheets & Catalog Pages

[1654742_HOUSEHOLD_APPLIANCES_RAST5](#)

English

Product Specifications

[Application Specification](#)

German

[Application Specification](#)

English