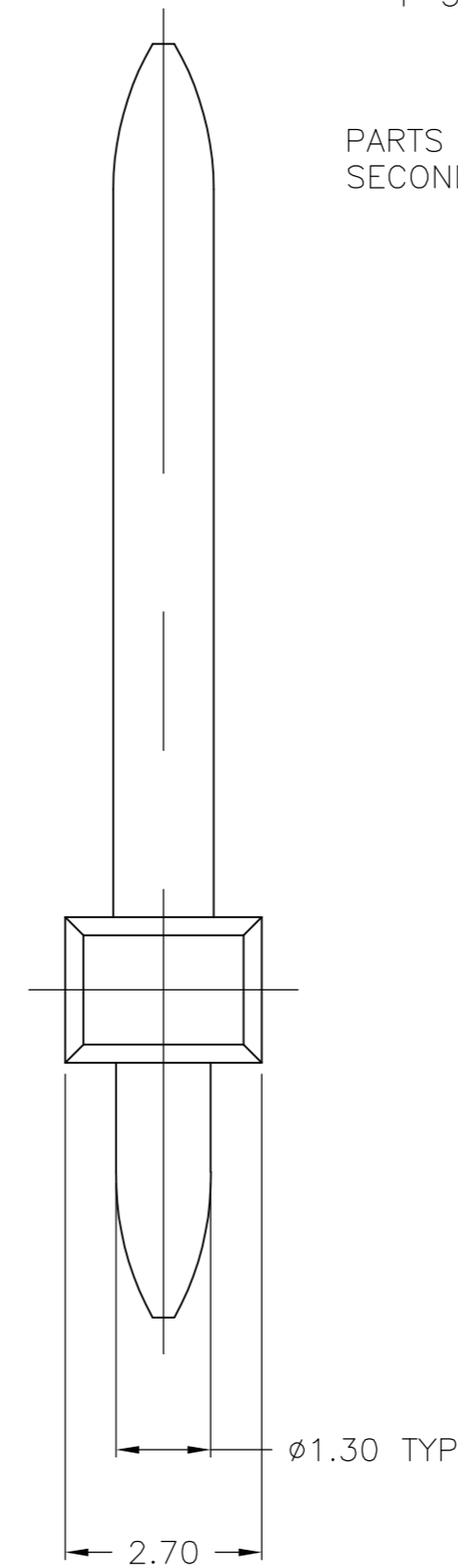
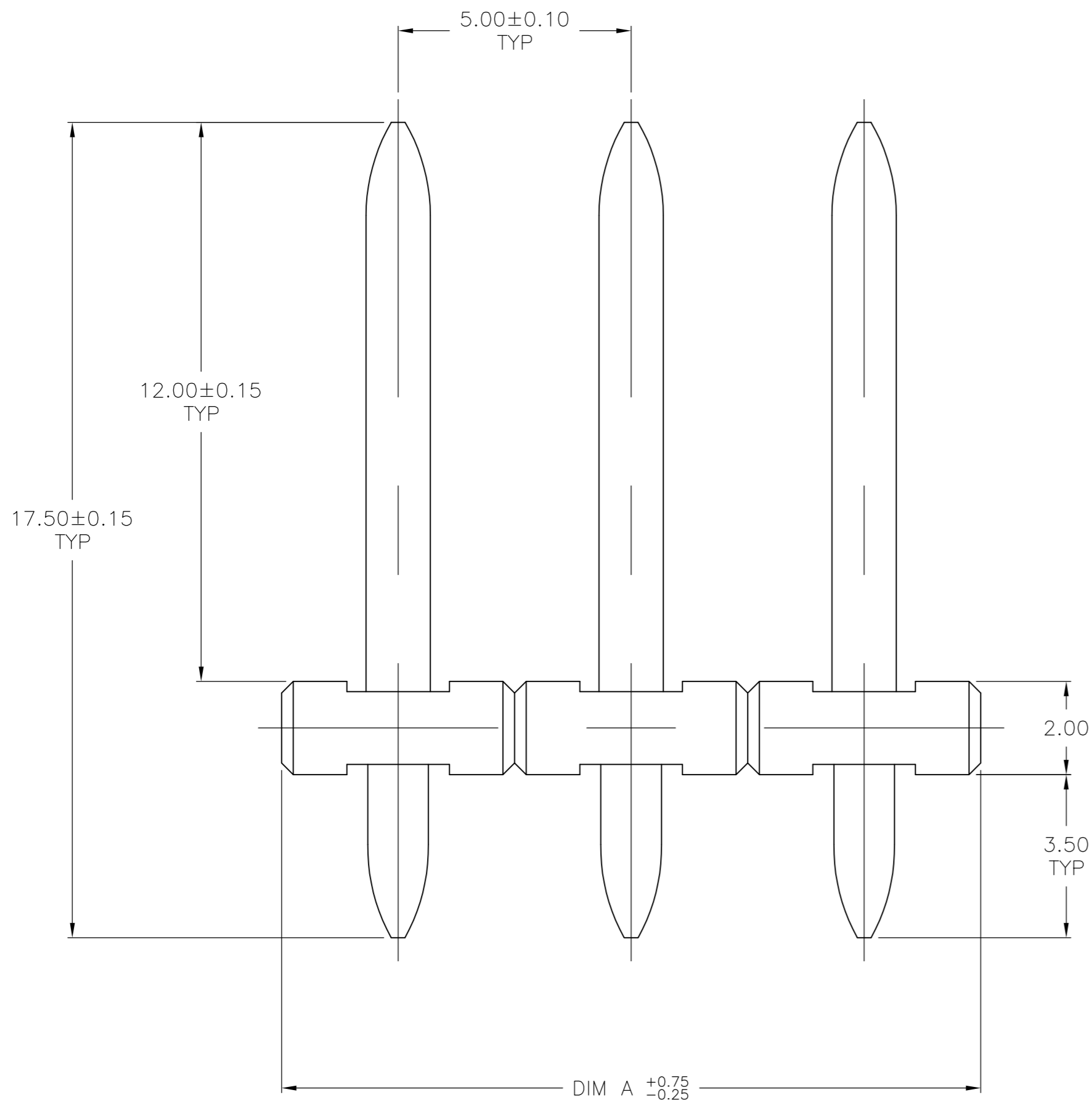


THIS DRAWING IS UNPUBLISHED. RELEASED FOR PUBLICATION
 © COPYRIGHT BY TYCO ELECTRONICS CORPORATION. ALL RIGHTS RESERVED.

LOC		DIST		REVISIONS			
P	LTR	DESCRIPTION		DATE	DWN	APVD	
	A1	REVISED PER ECO-07-028210		03DEC07	HMR	CR	

- 1-1. MATERIAL:
 - 1-1-1. PINS: BRASS, NICKEL AND TIN PLATED.
 - 1-1-2. INSULATOR BODY: NYLON 6.6, UL94V-0 (STRIP ONLY)(COLOR BLUE)
- 1-2. ELECTRICAL:
 - 1-2-1. CURRENT RATING: 10 AMPS/WAY MAX.
 - 1-2-2. WITHSTANDING VOLTAGE: 1500 VAC/MIN
TEST TIME=60 SEC/1PC
 - 1-2-3/ INSULATION RESISTANCE: 5000Mohm /1000V
- 1-3. MECHANICAL:
 - 1-3-1. CONTACT RETENTION FORCE: 3 KG/CM (MIN).
 - 1-3-2. OPERATING TEMPERATURE: -55°C TO +105°C.
 - 1-3-3. SOLDERABILITY: 95% COVERAGE (MIN)
TEST TEMPERATURE= 230°C±10°C
TEST TIME= 3SEC ± 0.5SEC.

PARTS TO BE WAVE SOLDER PROCESS CAPABLE UP TO 265°C FOR 10 SECONDS MAX.



40.00(1.575)	8	1986207-8
DIM A	NO. OF POSN	PART NUMBER

THIS DRAWING IS A CONTROLLED DOCUMENT.		DWN	S SCHLEGEL	6/7/07	Tyco Electronics Corporation Harrisburg, PA 17105-3608
DIMENSIONS: mm		CHK	C RICHARD	6/7/07	
TOLERANCES UNLESS OTHERWISE SPECIFIED:		APVD	C RICHARD	6/7/07	
0 PLC ± - 1 PLC ± 0.3 2 PLC ± 0.25 3 PLC ± - 4 PLC ± - ANGLES ± -		PRODUCT SPEC	NAME		
MATERIAL		FINISH		APPLICATION SPEC	HEADER, STRAIGHT, UNSHROUDED 5.0MM PITCH, HIGH TEMP
-		-		WEIGHT	SIZE
				-	A2
CUSTOMER DRAWING				SCALE	5:1
				SHEET	1 of 1
				REV	A1

1986207