

# SPECIFICATIONS

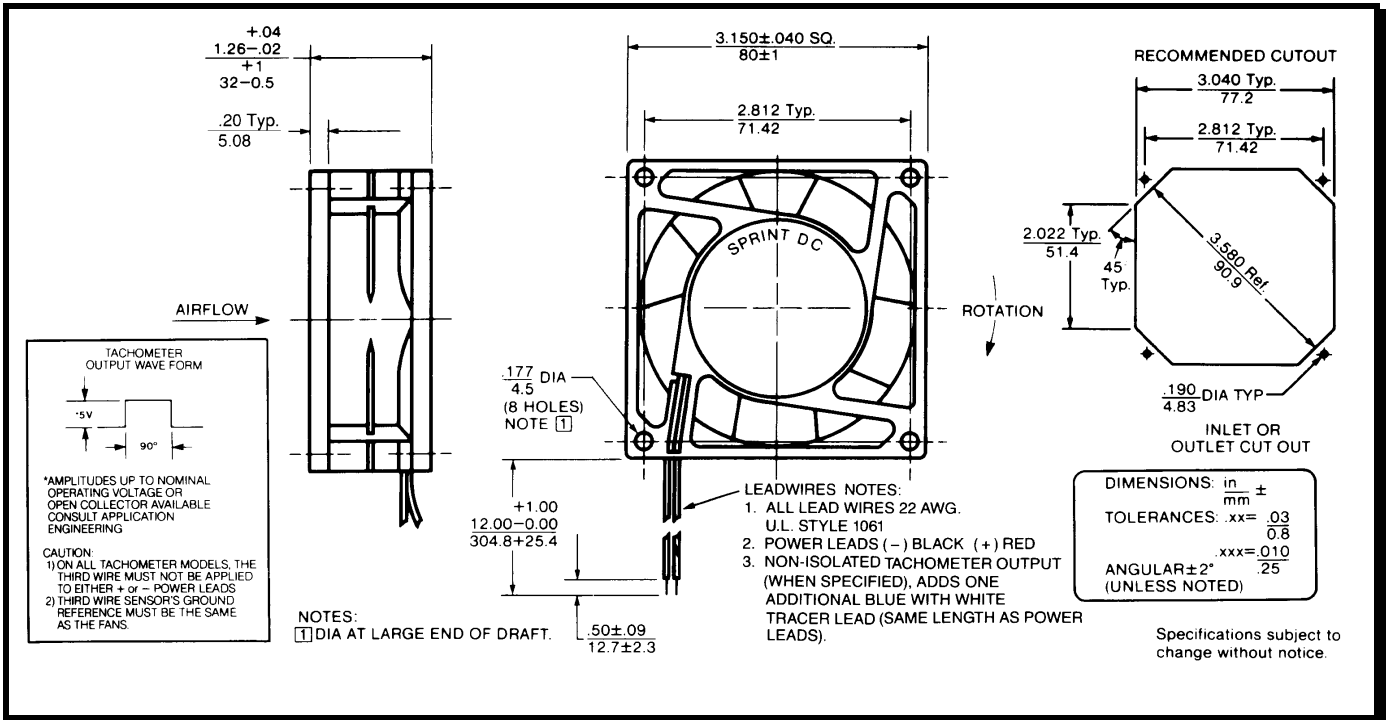
RoHS Compliant



**Model Number:** ST12S3H  
**Part Number:** 032396

**SHREV.A**  
 September 7, 2010

## Mechanical Drawing:



**Motor (full speed):**

Nominal Voltage	= 12 vdc
Operating Voltage Range	= 6 – 14 vdc
Nominal Running Current	= 0.420 amps
Max. Locked Rotor Current	= 1.05 amps
Running Power	= 5.0 watts
Average Speed	= 3900 RPM
Bearings	= Ball Bearing
Air Flow	= 38 CFM
Acoustics	= 42.7 dBA

**Construction:**  
 Venturi: Plastic, Black, UL94V-0  
 Propeller: Plastic, Black, UL94V-0

**Life Expectancy:**  
 This fan is designed for continuous duty life of 78,000 hours at 40°C.

**Additional Features:**  
 Brushless DC Motor  
 Locked Rotor Protection  
 Polarity Protection  
 Automatic Restart Capability  
 Operating Temperature: -10°C to 70°C  
 Storage temperature: -40°C to 85°C  
 Thermal Speed Control

**Termination:**  
 Thermistor on 25" zip cord  
 12" Lead wires, 22 AWG, UL 1061  
 Red = Power (+)  
 Black = Return (-)

**Agency Approvals**  
 UL