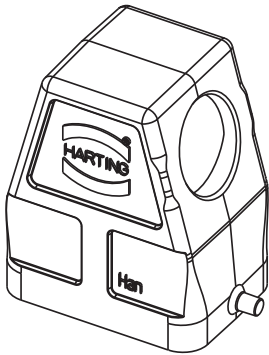
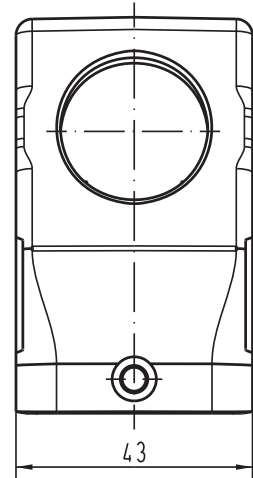
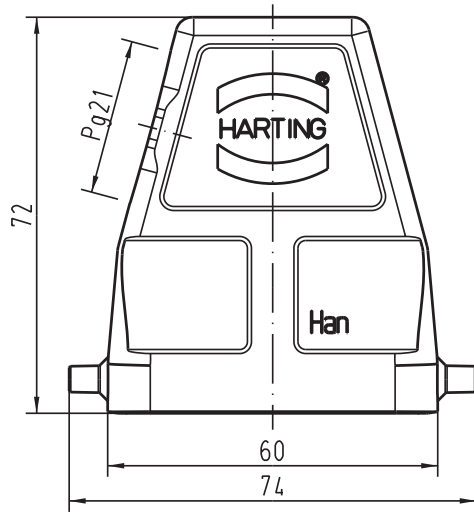


Alle Rechte vorbehalten/ All rights reserved



|        |      |   |   |          |                   |      |   |  |  |                  |
|--------|------|---|---|----------|-------------------|------|---|--|--|------------------|
|        |      | All Dimensions in mm<br>Original Size DIN A 4 |   |          | Techn. Character. |      |   | Nicht tolerierte Masse/ Free size tolerances |  |                  |
|        |      |   | Del.  | Name     | Massestab/Scale   |      | Han 6B-gs-21<br>Tüllengehäuse/<br>hood side-entry |  |  |                  |
|        |      |   | Detail.   | 13.12.04 | Ste               | 1:1  |   |  |  |                  |
|        |      |   | Insp.   |          | SP                |      |   |  |  |                  |
|        |      |   | Stand.  |          |                   |      |   |  |  |                  |
| 411376 |      |   | HARTING Electric GmbH & Co. KG<br>D-32339 Espelkamp |          |                   |      |   | TB 09 30 006 0511                            |  | Blatt/ page<br>/ |
| Mod.   | Dat. | Name  |   |          |                   | Sub. |   |  |  |                  |