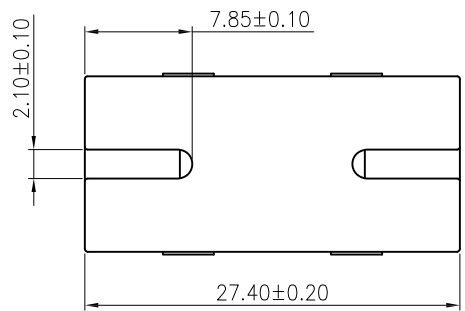
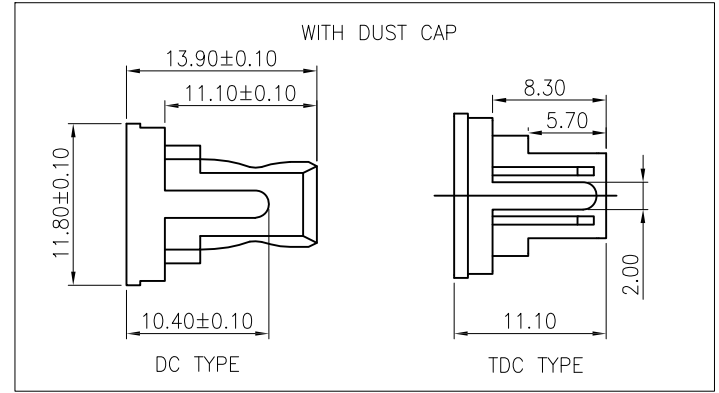
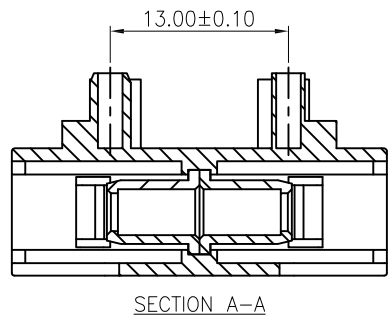
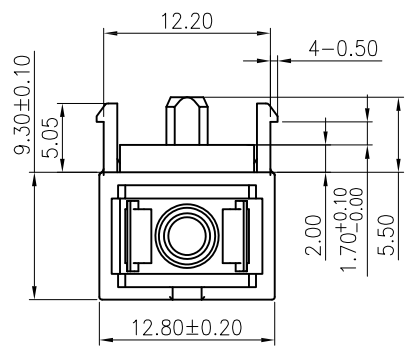
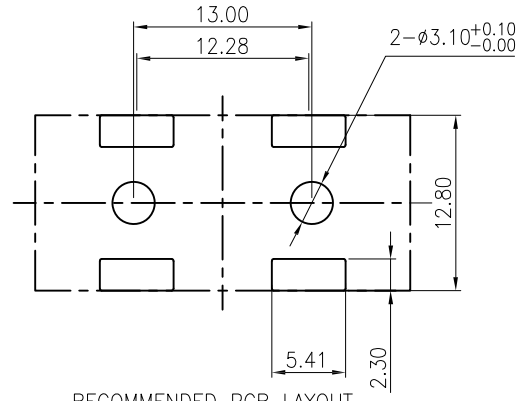
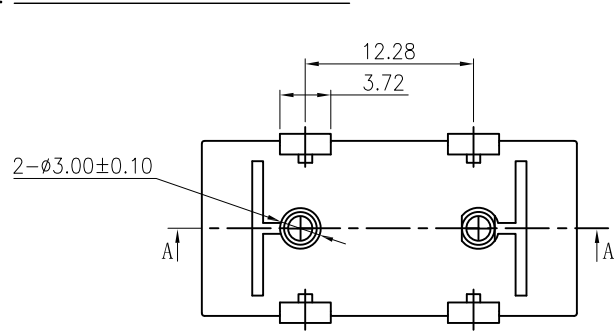


APPROVED: _____
 DATE: _____ TITLE: _____

Rev	AWO #	Description	Date	Appr
-		RELEASED	9/8/20	



OPSAIDNNC1N1	SC/APC, TWO TYPE DUST CAP	7737C Green	PBT Black
OPSBIDNNC1N1	SC/PC, TWO TYPE DUST CAP	2184C Blue	PBT Black
OPSAIDNNC1N2	SC/APC, CUCURBIT TYPE DUST CAP	7737C Green	PBT Black
OPSBIDNNC1N2	SC/PC, CUCURBIT TYPE DUST CAP	2184C Blue	PBT Black
PART NUMBER	DESCRIPTION	Housing&Insert color	Cap Color

SPECIFICATIONS:

Material:
 Housing: PBT, rated UL 94V-0, Color: See Chart
 Cap: PBT, rated UL 94V-0, Color: Black
 Sleeve: Zirconia Ceramic
 Electrical:
 Standards of IEC, EIA/TIA, Telcordia
 Insertion loss: 0.2dB max
 Repeatability: 500 cycles min
 Temperature Rating:
 Operating temperature: -25°C to +85°C
 Environmental:
 Lead free, RoHS compliant.



UNLESS OTHERWISE SPECIFIED ALL DIMENSIONS ARE MILLIMETERS TOLERANCES: EXCEPT AS NOTED			
MM		ANGLE	
X.	± 0.35	X*	±2°
.X	± 0.30	.X*	±1°
.XX	± 0.25	.XX*	±0.5°
.XXX	± 0.15	.XXX*	±0.5°
APPROVALS		DATE	
DRAWN	LH	9/8/20	
CHECKED	JL	9/8/20	
APPROVED			

ADAM TECH INTERCONNECTS 909 Rahway Avenue,
 Union, NJ 07083
 Phone: 908-687-5000
 Fax: 908-687-5710

TITLE
 SC TYPE ADAPTER, PC, 1 PORTS, SNAP-IN BOARDLOCKS 3.00MM
 WITH SC CUCURBIT TYPE DUST CAP & SC TWO TYPE DUST CAP

SIZE	PART NO.	REV.
X	OPXS1DNNC1NX	-

REF: S00005C SCALE: NTS SHEET 1 OF 1