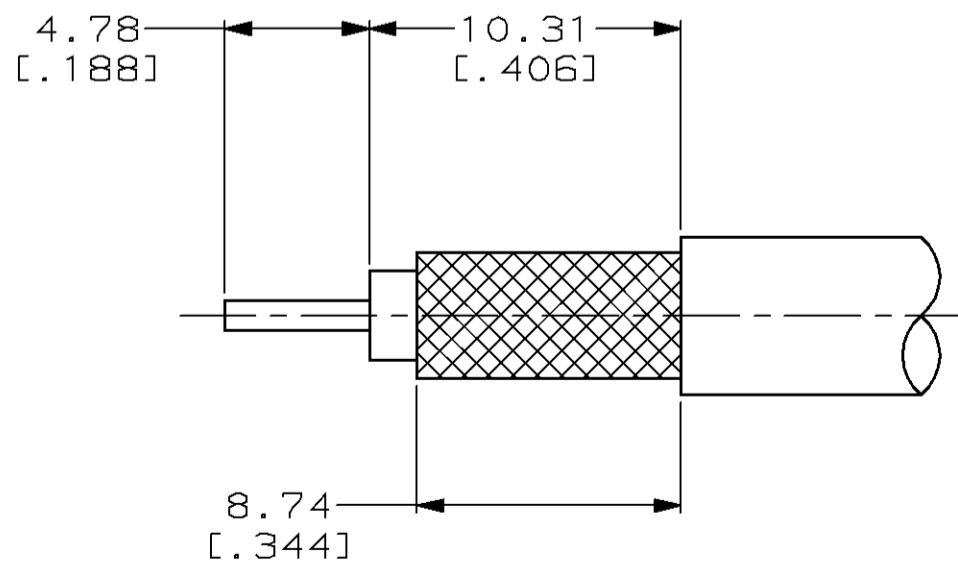
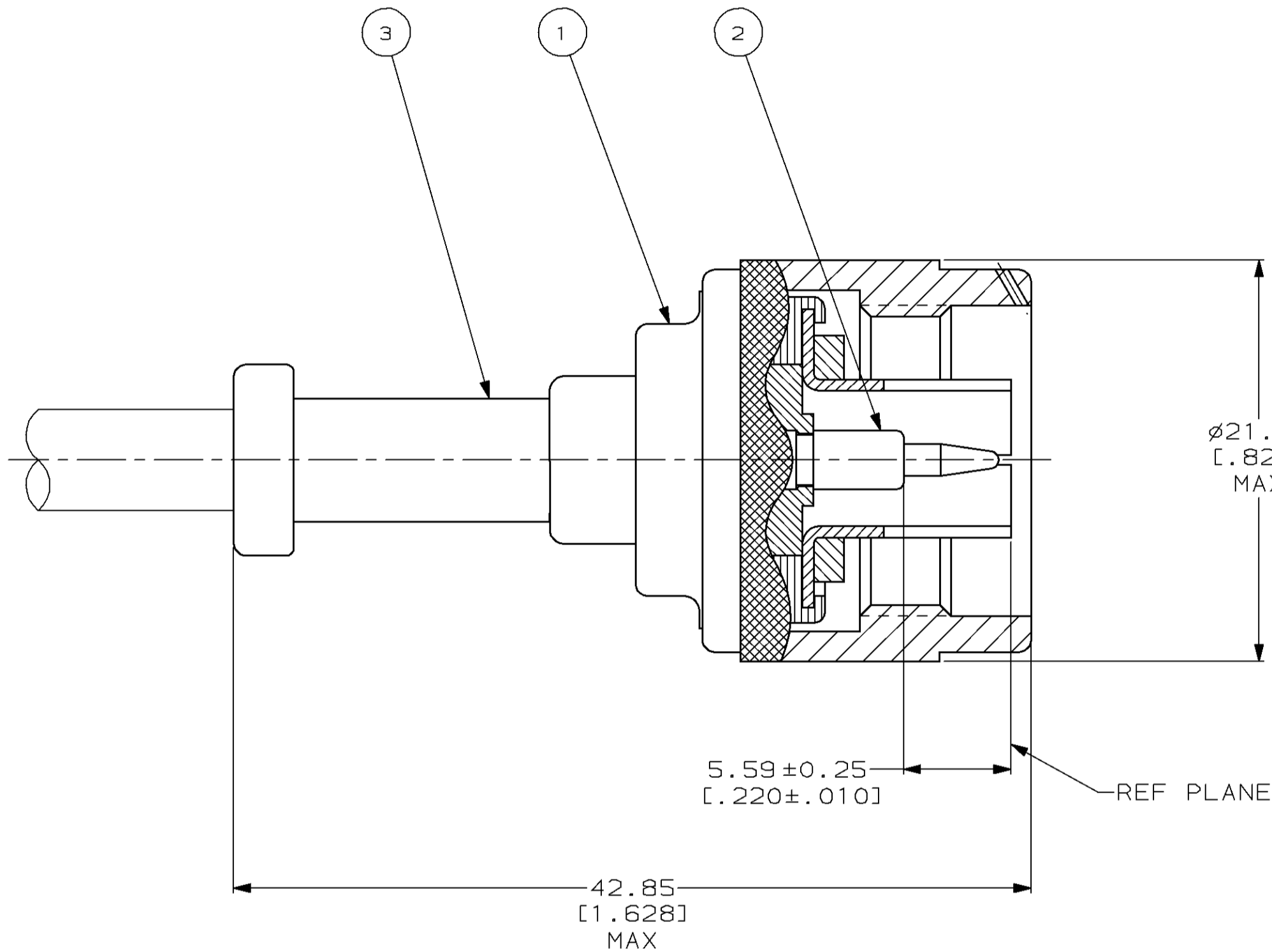


THIS DRAWING IS UNPUBLISHED. RELEASED FOR PUBLICATION  
 BY AMP INCORPORATED. ALL RIGHTS RESERVED.

LOC	DIST	REVISIONS			
P	LTR	DESCRIPTION	DATE	DWN	APVD
AJ	16				
	0	REDRAWN & REVISED PER 0503-0694-97	12NOV97	BM	SB

1. PARTS PACKAGED UNASSEMBLED.
2. FOR USE WITH RG-142/U, -142A/U, & -142B/U CABLE.
3. USE HAND TOOL PART NUMBER 220045-2 TO CRIMP.
4. SEE INSTRUCTION SHEET 2028-1 FOR CRIMPING INSTRUCTIONS.



RECOMMENDED STRIP LENGTHS

225560-7	225343-4	225412-3	225699-1
③ FERRULE QTY=1	② CONTACT QTY=1	① PLUG ASSY QTY=1	PART NUMBER

THIS DRAWING IS A CONTROLLED DOCUMENT.		DWN B. MOYER 25OCT97	AMP Incorporated Harrisburg, PA 17105-3608	
DIMENSIONS: mm [INCHES]		CHK S. BURKHOLDER 12NOV97	NAME S. BURKHOLDER 12NOV97	
TOLERANCES UNLESS OTHERWISE SPECIFIED:		APVD S. BURKHOLDER 12NOV97	PRODUCT SPEC	
0 PLC ±-	1 PLC ±-	APVD	APPLICATION SPEC	
2 PLC ±0.41 [0.016]	3 PLC ±-	APVD	WEIGHT	
4 PLC ±-	ANGLES ±-	APVD	CUSTOMER DRAWING	
MATERIAL -	FINISH -	APVD	SIZE A2	CAGE CODE 00779
		APVD	DRAWING NO C=225699	RESTRICTED TO
		APVD	SCALE 4:1	SHEET 1 OF 1
		APVD	REV A	