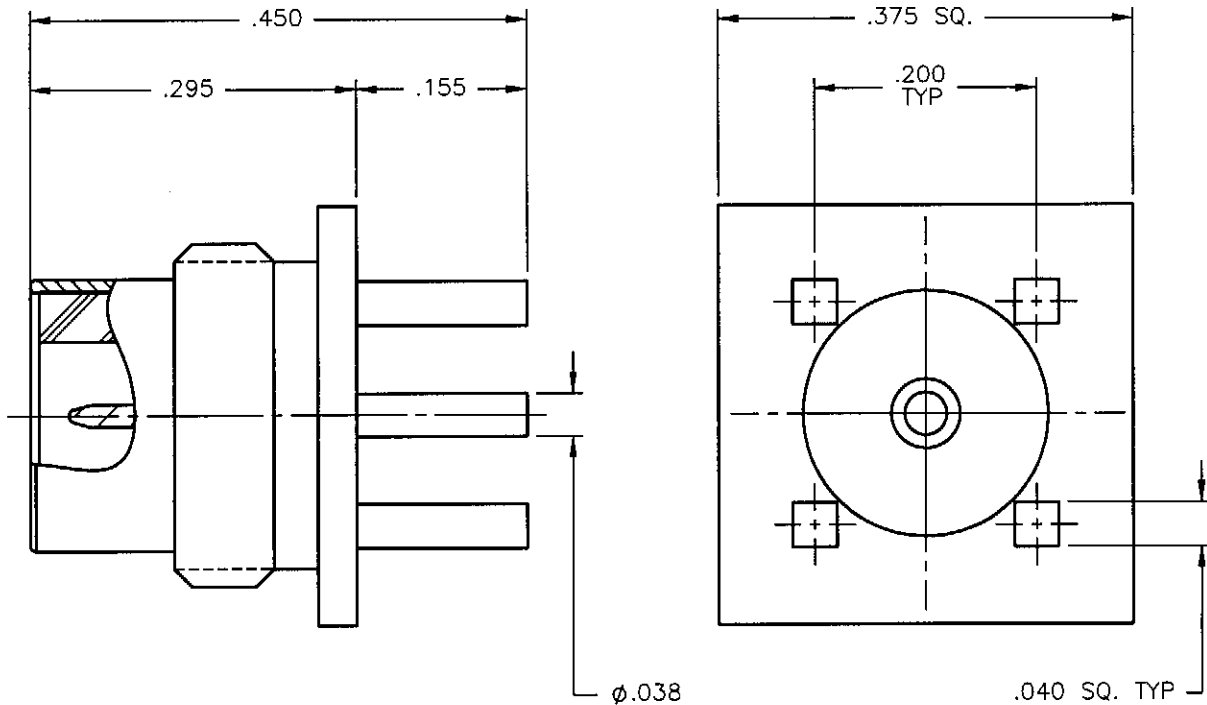


REVISIONS			
REV.	DESCRIPTION	DATE	APPROVED
A	ECO #7258	08/21/08	M.J.



NOTES:


MATERIALS:

1. BODY & CONTACT = BRASS PER ASTM B16, ALLOY C36000, TEMPER H02.
2. INSULATOR = VIRGIN WHITE TEFLON PER ASTM D1710, GRADE 1, TYPE I, CLASS "B".

FINISHES:

1. BODY = NICKEL PLATE PER QQ-N-290, CLASS 1, GRADE G, EXCEPT .0001 TO .0002 THICK OVER .00005 TO .0001 THICK COPPER PER MIL-C-14550.
2. CONTACT = GOLD PLATE PER MIL-G-45204, TYPE II, CLASS 1, GRADE C, OVER .00010 TO .00020 STRESS FREE SULFAMATE NICKEL PER QQ-N-290.

Property of Radiall Incorporated
 This document cannot be reproduced or
 communicated to a third party without prior
 written permission of RADIALL Incorporated.

UNLESS OTHERWISE SPECIFIED DIMENSIONS ARE IN INCHES TOLERANCES ON	DWN:	DATE	 APPLIED ENGINEERING PRODUCTS 104 John W. Murphy Dr. New Haven, CT 06513 <i>a RADIALL company</i>
	M.J.	08/21/08	
DECIMAL	ANGLE	CHKD:	75 ohm STRAIGHT SCREW-ON MALE JACK P.C. BOARD RECEPTACLE
		D.N.	
REFERENCE:		APVD:	DATE
ORIGINATED: M.J. DATE: 08/21/08		J.M.	08/21/08
MATERIALS & FINISHES: SEE NOTES		SIZE	FSCM NO.
		A	19505
		DWG. NO.	REV
		1709-7511-000	A
		SCALE 4:1	THIRD ANGLE PROJECTION
		SHEET 1 OF 1	

1709-7511-000