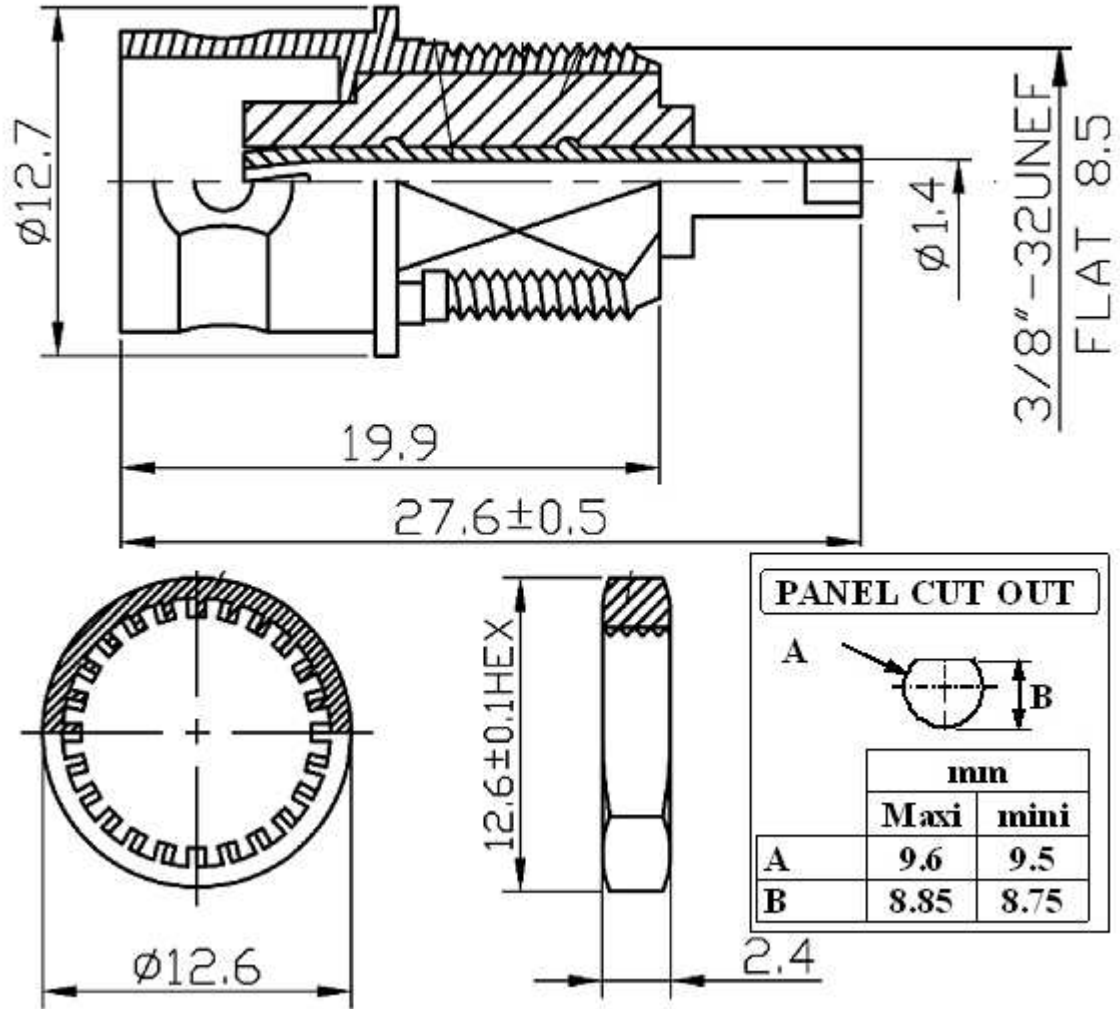


FEMALE BULKHEAD RECEPTACLE FRONT MOUNT.

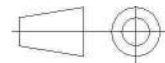
R141.563.161

WITH SOLDER POT CONTACT - PACK 100

Series : BNC-COM



All dimensions are in mm.



COMPONENTS	MATERIALS	PLATING (µm)
BODY	BRASS	NICKEL .
CENTER CONTACT	BRASS	GOLD
OUTER CONTACT	-	-
INSULATOR	DELRIN (POM)	-
GASKET	-	-
OTHERS PARTS	-	-
.	.	.
.	.	.

Issue : 1027 D

In the effort to improve our products, we reserve the right to make changes judged to be necessary.



FEMALE BULKHEAD RECEPTACLE FRONT MOUNT.

R141.563.161

WITH SOLDER POT CONTACT - PACK 100

Series : **BNC-COM**

PACKAGING

SPECIFICATION

Standard	Unit	Other
100	'W' option	Contact us

ELECTRICAL CHARACTERISTICS

ENVIRONMENTAL

Impedance	50	Ω
Frequency	0-1.5	GHz
VSWR	1.2* + 0,0060	x F(GHz) Maxi
Insertion loss	.02*	$\sqrt{F(GHz)}$ dB Maxi
RF leakage	57	- F(GHz) dB Maxi
Voltage rating	500	Veff Maxi
Dielectric withstanding voltage	1500	Veff mini
Insulation resistance	5000	M Ω mini

Operating temperature	-35/+70	$^{\circ}$ C
Hermetic seal	NA	Atm.cm3/s
Panel leakage	NA	

OTHER CHARACTERISTICS

Assembly instruction

Others :

* Coaxial Transmission Line Only

MECHANICAL CHARACTERISTICS

Center contact retention		
Axial force – Mating end	15	N mini
Axial force – Opposite end	15	N mini
Torque	NA	N.cm mini
Recommended torque		
Mating	NA	N.cm
Panel nut	250	N.cm
Mating life	500	Cycles mini
Weight	0,0000	g

Issue : 1027 D

In the effort to improve our products, we reserve the right to make changes judged to be necessary.

RADIALL 