

NOTES:

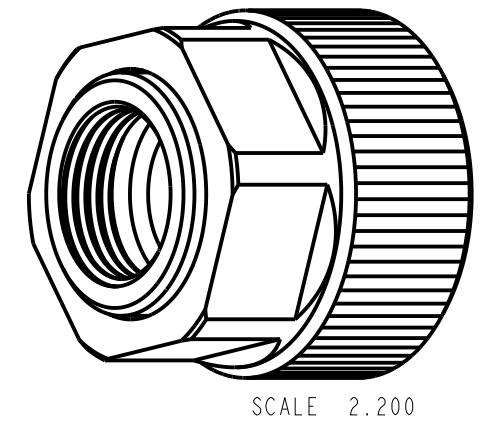
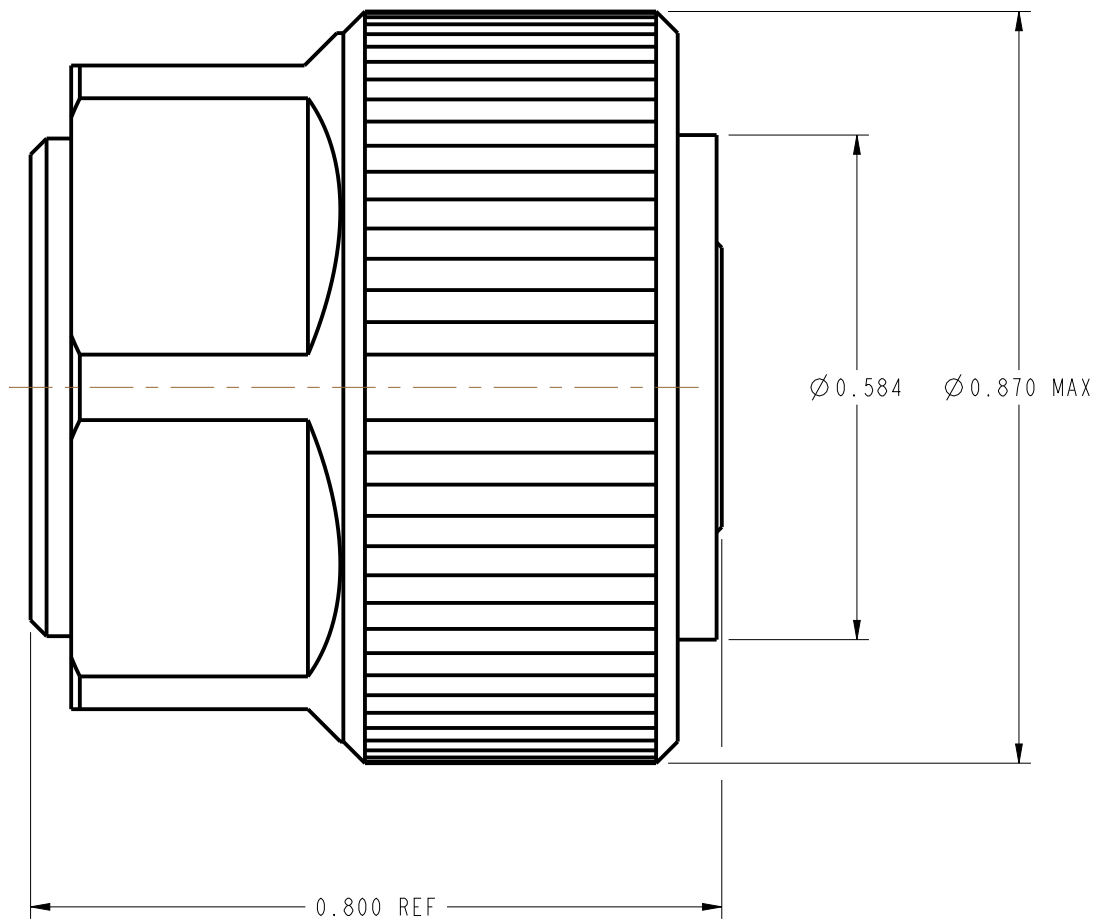
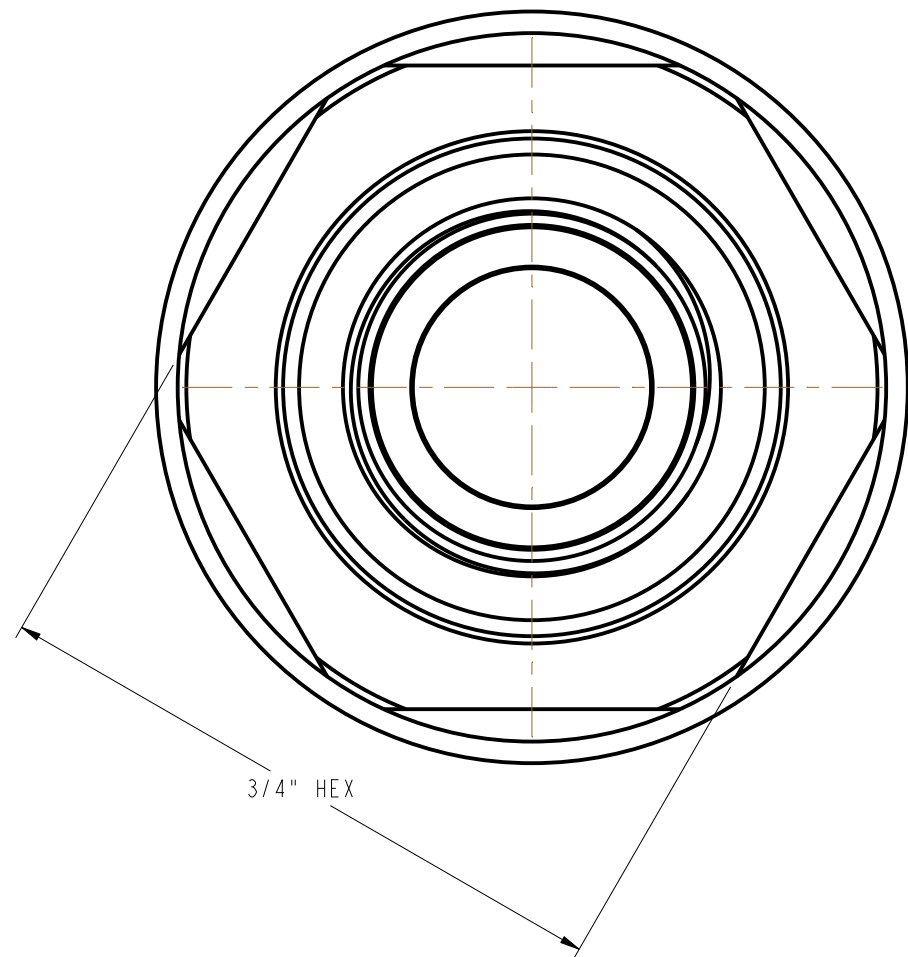
1. MATERIALS AND FINISHES:

BODY - BeCu, GOLD PLATING (.000050 MIN THICK) OVER SULFAMATE NICKEL (.000050 MIN)
 RETAINER SUB-ASSEMBLY = STAINLESS STEEL, PASSIVATED
 COUPLING NUT = STAINLESS STEEL, PASSIVATED

2. PACKAGING:

A. QUANTITY: SINGLE PACK
 B. MARKING: BAG TO BE MARKED
 "AMPHENOLRF, 131-91057, AND DATE CODE"

131-91057		REVISIONS			
DRAWING NO.	REV	DESCRIPTION	DATE	ECO	APPR
THIRD ANGLE PROJ.	--	RELEASE TO MFG.	--	--	--
	H	SEE SHEET 2	6/15/10	48100	PNE
	J	CHANGED PLATING CODE ON ITEM 1 FROM YA TO JE	7/21/11	48662	MJS
	K	SEE SHEET 1	4/16/12	48989	RR
	L	INTERNAL SHEET CHANGE, NO PRODUCT CHANGE	11-Nov-16	3142	BMG



THIS CONNECTOR IS COVERED BY U.S. PATENT 3,398,388

CUSTOMER OUTLINE DRAWING

ALL OTHER SHEETS ARE FOR INTERNAL USE ONLY

UNLESS OTHERWISE SPECIFIED, DIMENSIONS ARE IN INCHES AND TOLERANCES ARE: 2 PLACE DECIMAL ±.015 (0,381 mm) 3 PLACE DECIMAL ±.005 (0,127 mm) ANGLES ± 1°	MATERIAL	DRAWN PADMANABHAN E	DATE 17-Dec-09	TITLE APC-7 PRECISION CONNECTOR BODY ASSEMBLY	Amphenol RF Danbury, CT, USA Tainan, Taiwan Shenzhen, China www.amphenolrf.com	
	REFERENCE	ENGINEER O. BARTHELMES	DATE 19-Nov-01			
NOTICE - These drawings, specifications, or other data (1) are, and remain the property of Amphenol Corp. (2) must be returned upon request; and (3) are confidential and not to be disclosed to any person other than those to whom they are given by Amphenol Corp. The furnishing of these drawings, specifications, or other data by Amphenol Corp., or to any other person to anyone for any purpose is not to be regarded by implication or otherwise in any manner licensing, granting rights or permitting such holder or any other person to manufacture, use or sell any product, process or design, patented or otherwise, that may in any way be related to or disclosed by said drawings, specifications, or other data.		APPROVED K. CAPOZZI	DATE 27-Feb-17		SCALE: 4.5:1	SHEET 2 OF 2
		CAD FILE Root Folder/APC-7/131-91057	CODE ID 74868	DWG SIZE B	DRAWING NO. 131-91057	REV L