

VERTICAL HOUSING ASSEMBLY PRODUCT NUMBER
10126297 - X PP SS C M LF

MOUNTING FEATURES
S = SCREW MOUNT

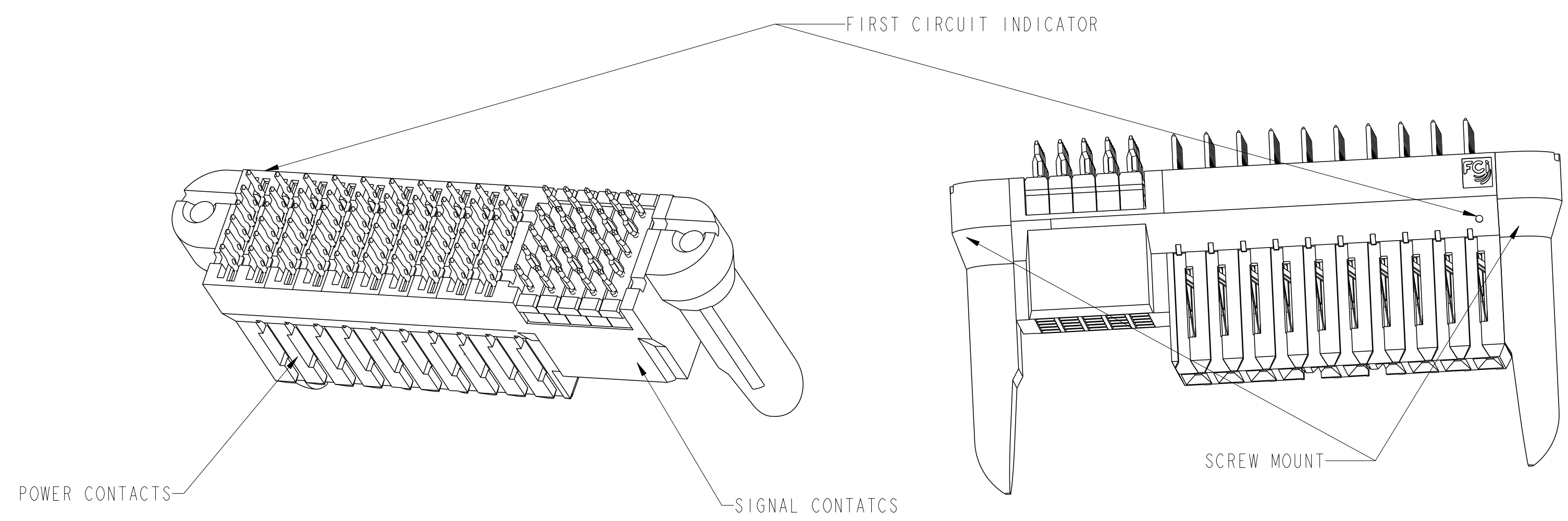
CENTER LINE DISTANCE BETWEEN POWER AND SIGNAL POSITIONS AT MATING INTERFACE:
3 = 4.375

NUMBER OF SIGNAL CONTACTS
00 OR 10 TO 40 IN INCREMENTS OF 5

TOTAL NUMBER OF POWER CONTACTS.

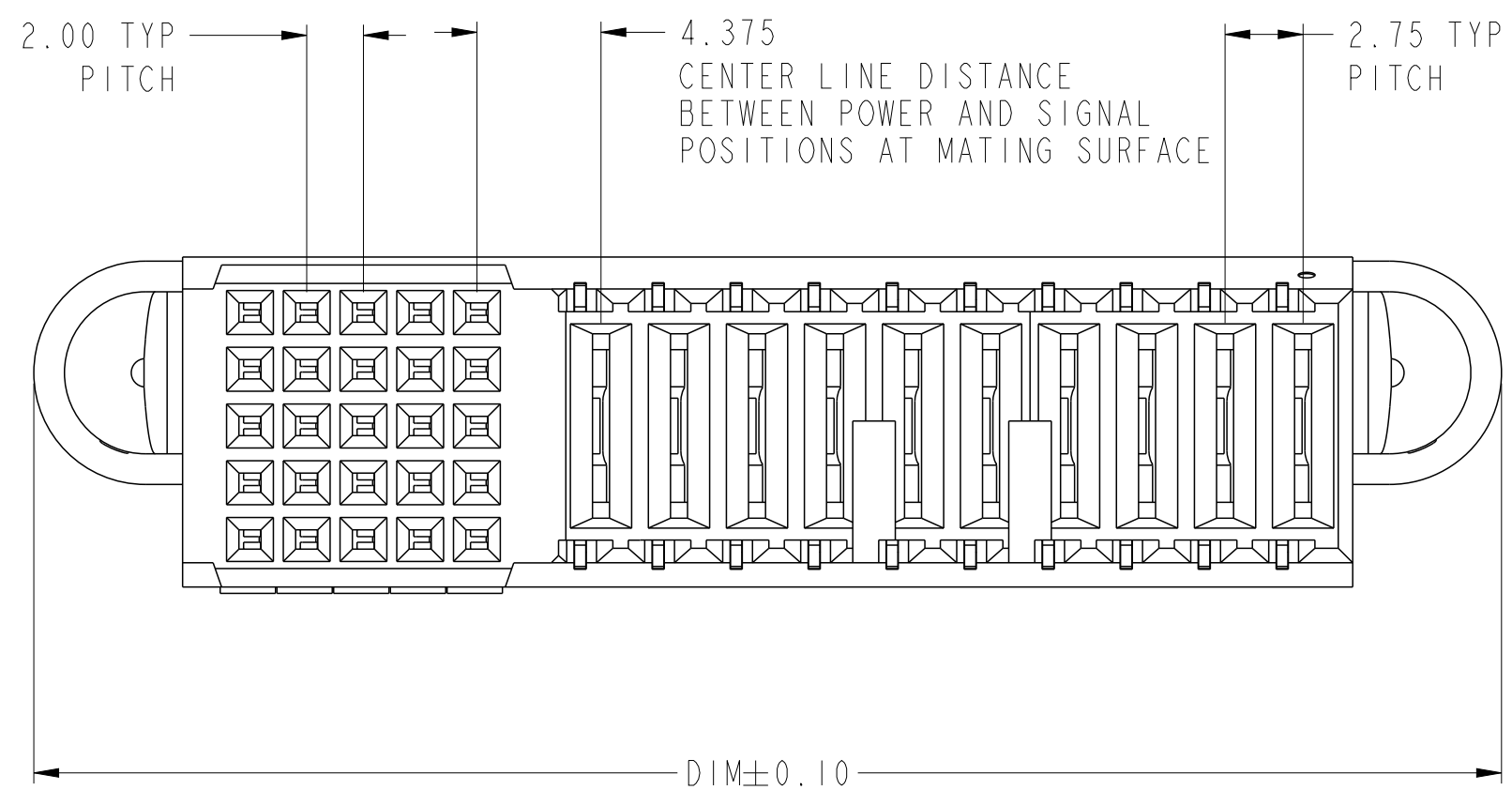
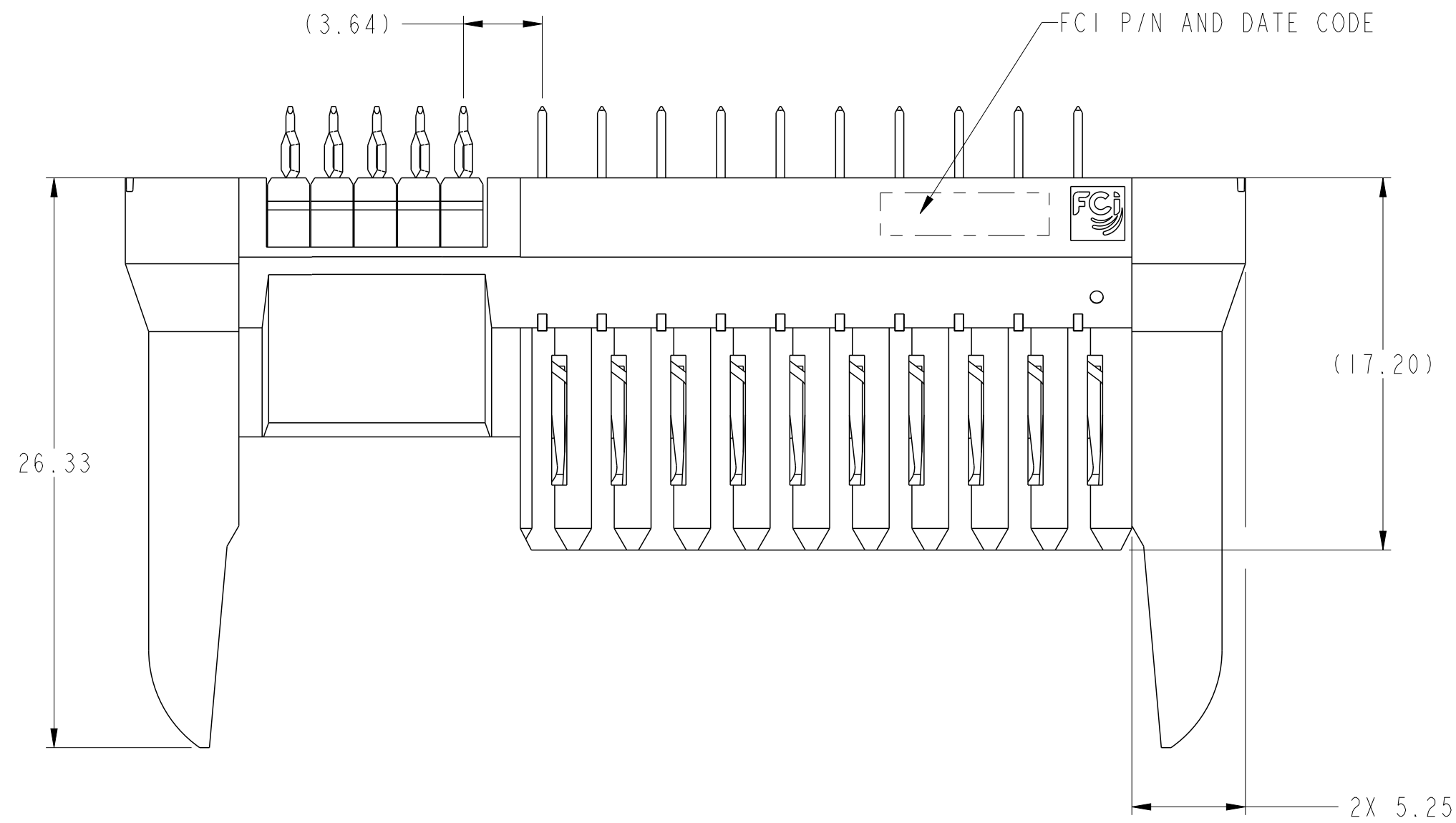
STYLE
L = SIGNAL ON THE LEFT, POWER ON THE RIGHT - SEE SHEET 2
R = POWER ON THE LEFT, SIGNAL ON THE RIGHT (SEE DRAWING 10121382)

EXAMPLE:
10126297-LI0253SLF IS A VERTICAL HOUSING ASSEMBLY WITH 10 ROWS OF POWER CONTACTS ON THE RIGHT SIDE AND 5 COLUMNS (25 TOTAL) OF SIGNAL PINS ON THE LEFT SIDE, WITH A 4.375 DISTANCE BETWEEN THE SIGNAL AND THE POWER TAILS AND WITH SCREW MOUNT ENDS.

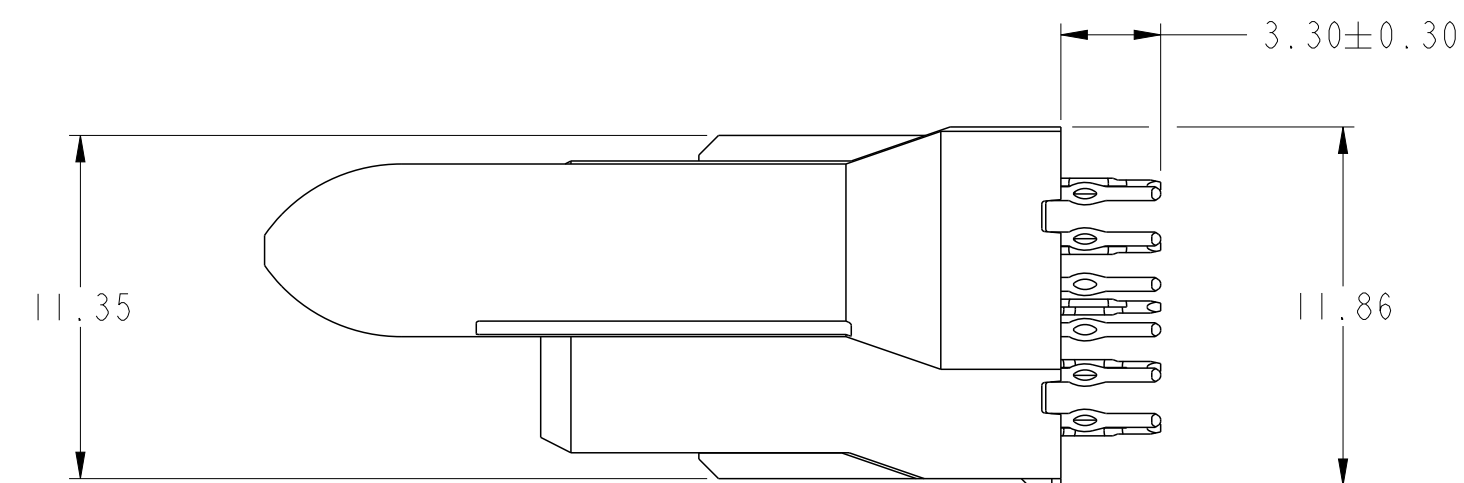


Copyright FCI. FCI

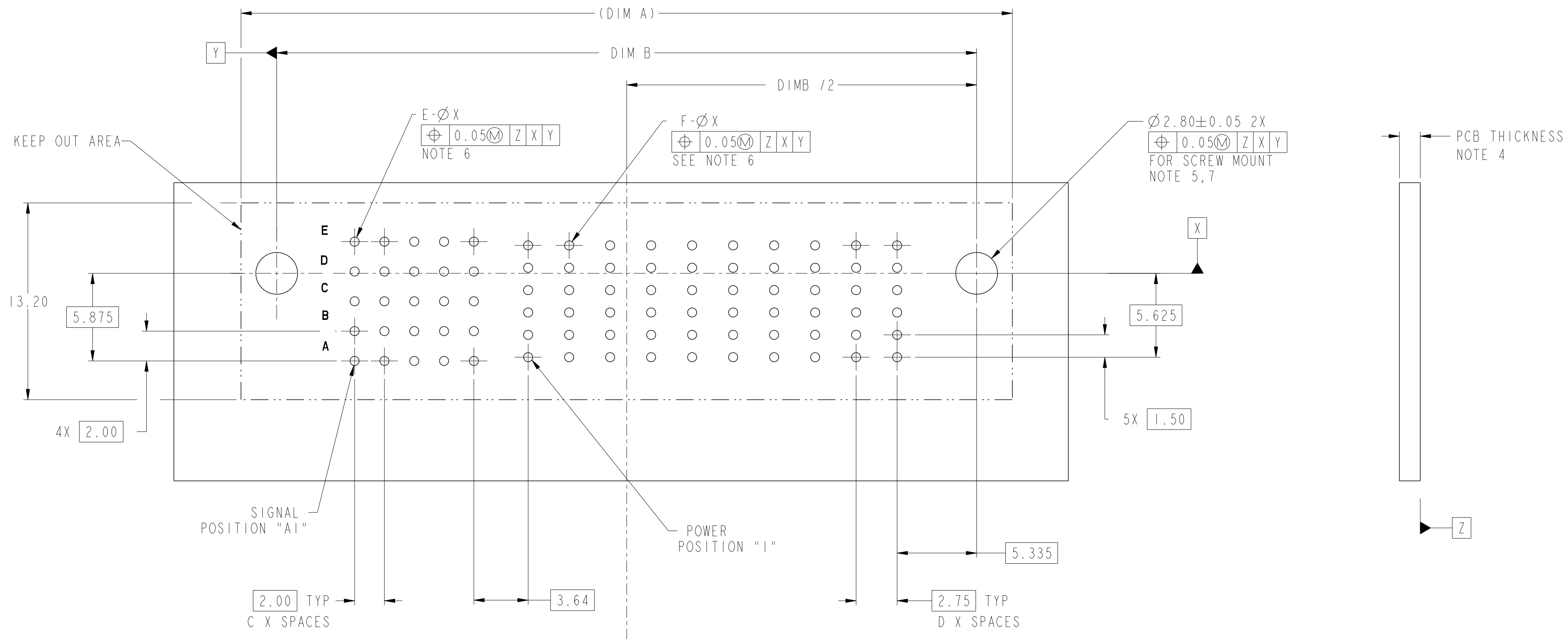
spec ref	SEE NOTES	dr	Heaven Cen	2013/07/08	projection	mm	size	A2	scale	3:1			
tolerance std	TOLERANCES UNLESS OTHERWISE SPECIFIED	eng	Heaven Cen	2013/12/16		mm	ecn no	ELX-DG-16497-1	rel level	Released			
surface	linear	0.X	±0.30								title PWR LP RECEPTACLE ASSEMBLY VERTICAL, PRESS-FIT P+S	dwg no 10126297	rev D
		0.XX	±0.20										
ISO 1302	angular	0°	±2°										



PART NUMBER	CONFIGURATION	DIM"A"	DIM"B"	"C" SPACES	"D" SPACES	"E" QTY.	"F" QTY.
10126297-L10253SLF	10P+25S	51.74	46.95	4	9	25	60
10126297-L18353SLF	18P+35S	77.74	72.95	6	17	35	108
10126297-L08203SLF	08P+20S	44.24	39.45	3	7	20	48
10126297-L02153SLF	02P+15S	25.74	20.95	2	1	15	12



spec ref	SEE NOTES	dr	Heaven Cen	2013/07/08	projection	mm	size	A2	scale	3:1			
tolerance std	TOLERANCES UNLESS OTHERWISE SPECIFIED	eng	Heaven Cen	2013/12/16		mm	ecn no	ELX-DG-16497-1	rel level	Released			
surface	linear	0.X	±0.30								title PWR LP RECEPTACLE ASSEMBLY VERTICAL, PRESS-FIT P+S	dwg no 10126297	rev D
		0.XX	±0.20										
ISO 1302	angular	0°	±2°										



TOP VIEW
RECOMMENDED PCB LAYOUT, SEE NOTE 4

NOTES:

1. HOUSING MATERIAL: GF LCP, COLOR: BLACK, UL 94 V-0 RATED
SIGNAL CONTACT MATERIAL: PHOSPHOR BRONZE
SIGNAL PIN OVERMOLD MATERIAL: GF POLYESTER
POWER CONTACT MATERIAL: COPPER ALLOY
2. PLATING ON SIGNAL CONTACTS: 1.27µm MIN Ni UNDERPLATING ALL OVER WITH 0.76µm MIN GXT IN CONTACT MATING AREA, AND 0.5µm MIN MATTE TIN ON TAIL AREA.

PLATING ON POWER CONTACTS: 1.27µm MIN Ni UNDERPLATING ALL OVER WITH 0.76µm MIN GXT IN CONTACT MATING AREA, AND 0.5µm MIN MATTE TIN ON TAIL AREA.
3. LUBRICATION: LUBRICATE ON CONTACT AREA.
- ④ RECOMMENDED PCB THICKNESS IS:
FOR PRESS FIT APPLICATION: 1.4mm MIN
FOR SOLDER APPLICATION: 1.40mm THROUGH 2.62mm.
- ⑤ FOR SCREW MOUNT APPLICATIONS, A DELTA PT25 SELF TAPPING SCREW IS RECOMMENDED (SUPPLIED BY CUSTOMER).
- ⑥ FOR PRESS FIT Ø0.61mm, FOR SOLDER Ø0.90mm.
- ⑦ UNPLATED HOLES.
8. PRODUCT SPECIFICATION: GS-12-1064
PACKAGING SPECIFICATION: GS-14-2266

spec ref	SEE NOTES	dr	Heaven Cen	2013/07/08	projection	mm	size	A2	scale	3:1			
tolerance std	TOLERANCES UNLESS OTHERWISE SPECIFIED	eng	Heaven Cen	2013/12/16		mm	ecn no	ELX-DG-16497-1	rel level	Released			
surface	linear	0.X	±0.30								title PWR LP RECEPTACLE ASSEMBLY VERTICAL, PRESS-FIT P+S	dwg no 10126297	rev D
		0.XX	±0.20										
ISO 1302	angular	0°	±2°										