



CMCP786T Dual Output Top Entry Accelerometer with Temperature 3 Pin MS Connector

Features:

- Dual Output Accelerometer with Temperature
- 100mV/g $\pm 10\%$ and 10mV/ $^{\circ}\text{C}$
- 140 $^{\circ}$ Max Temperature Range
- $\pm 80\text{g}$ Dynamic Range
- 3 Pin MS 5015 Connector
- Class 1 Division 2 Approved
- Class 1 Division 1 Approved with IS Barrier or Isolator
- 1/4"-28 UNF and M8x1.25 Mounting Studs Provided
- Sealed to IP68



Typical Applications

Fans, Motors, Pumps, Compressors, Centrifuges, Conveyors, Air Handlers, Gearboxes, Rolls, Dryers, Presses, Cooling, HVAC, Spindles, Machine Tooling, Process Equipment and many more.

Technical Performance

Mounted Base Resonance:	27 kHz (nominal)
Sensitivity (Acceleration):	100mV/g $\pm 10\%$ Nominal 80Hz at 22 $^{\circ}\text{C}$
Sensitivity (Temperature):	10mV/ $^{\circ}\text{C}$ (0-100 $^{\circ}\text{C}$ Range)
Frequency Response:	1.0 Hz to 10 kHz $\pm 10\%$ (60cpm to 600kcpm) 0.8 Hz to 12 kHz $\pm 3\text{dB}$ (48cpm to 720kcpm)
Isolation:	Base Isolated
Measurement Range:	$\pm 80\text{ g}$
Transverse Sensitivity:	Less than 5%

Electrical

Electrical Noise:	0.1mg max
Current Range:	0.5mA to 8mA
Bias Voltage:	10-12 Vdc
Settling Time:	1.5 Seconds
Output Impedance:	200 Ohms max.
Case Isolation:	$>10^8$ Ohms at 500 Volts

Environmental

Operating Temperature Range:	-67 to 284 $^{\circ}\text{F}$ (-55 to 140 $^{\circ}\text{C}$)
Sealing:	IP68
Maximum Shock:	5000 g
Approvals:	CE Approved CSA/UL Class 1 Division 2, Groups B, C and D

Mechanical

Case Material:	Stainless Steel
Sensing Element:	PZT/Compression
Mounting Torque:	5.9ft. lbs (8Nm)
Weight:	4.9 Oz (139 grams)
Mating Connector:	3 Pin MS 5015 Connector
Mounting Thread:	1/4-28 UNF and M8x1.25 Mounting Stud Provided

Condition Monitoring Custom Products

Hazardous Location Ratings

Class I, II, III, Division 1 and 2, Groups A-G, T4, -55°C to + 110°C IP65

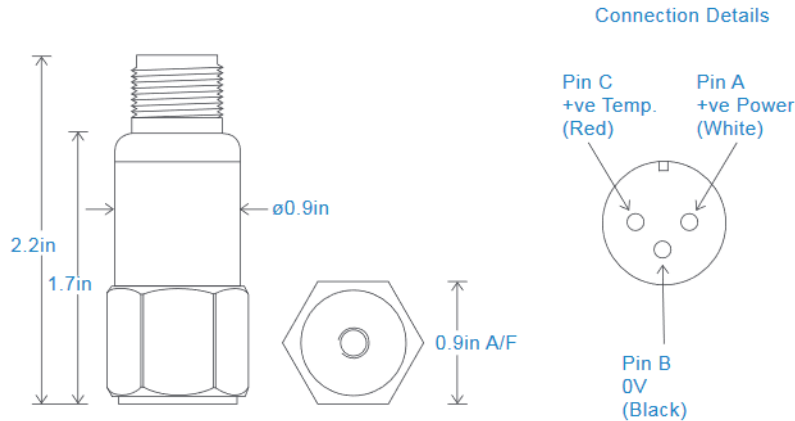
Class 1, Zone 0, AEx, ia, IIC, T4, Ga, -55°C to + 110°C

Zone 20, AEx, ia, IIIC, T130°C, IP65, Da, -55°C to + 110°C

Class I, II, III, Division 1, 2, Groups A-G, T6, -55°C to + 110°C

Zone 20, AEx, ia, IIIX, T80°C, IP65, DA, -55°C to + 110°C

Dimensions



Ordering Information:

CMCP786T Dual Output Accelerometer with Temperature, Top Entry 3 Pin MS Connector

Alternative Sensitivity Ordering Information:

CMCP786T-XXX Specify Sensitivity in Place of -XXX
50mV/g (-050), 250mV/g (-250) and 500mV/g (-500)

Recommended Cable Assemblies:

General Purpose TPE Jacketed Cable (Rated to 120°C)

CMCP603L Series 3 Socket MS Connector, Locking Collar, IP67

CMCP603LST Series 3 Socket MS Connector, Push On Seal Tight, IP68

High Temperature FEP Jacketed Cable (Rated to 200°C)

CMCP603H Series 3 Socket MS Connector, Locking Collar, IP67

CMCP603HST Series 3 Socket MS Connector, Push On Seal Tight, IP68

Similar Products



M12 Connector
CMCP786T-M12



Submersible
CMCP786T-IP



Integral Armored Cable
CMCP786T-I