

注記
NOTES:

- 材質
MATERIAL
ハウジング: LCP (液晶ポリマー)、ガラス充填、白色、UL 94V-0
HOUSING: LCP (LIQUID CRYSTAL POLYMER), GLASS FILLED, WHITE, UL94V-0
アクチュエータ: PPS、ガラス充填、茶色、UL 94V-0
ACTUATOR: PPS (POLYPHENYLENE SULFIDE), GLASS FILLED, BROWN, UL94V-0
ターミナル: 銅合金 (t=0.15)
TERMINAL: COPPER ALLOY (t=0.15)
金具: 銅合金 (t=0.2)
NAIL: COPPER ALLOY (t=0.2)
- メッキ仕様
PLATING
ターミナル
TERMINAL
銅ヒスマスメッキ
TIN BISMUTH PLATING
下地メッキ: ニッケルメッキ
UNDER PLATING: NICKEL PLATING
金具
NAIL
銅メッキ
TIN PLATING
下地メッキ: ニッケルメッキ
UNDER PLATING: NICKEL PLATING
- テールと金具を併せた平坦度は、0.1ミリメートル以下。
TAILS AND NAILS COPLANARITY TO BE 0.1 MAXIMUM.
- 本製品は51374-**-**37/-**-**17の鉛フリー品である。
THIS PRODUCT IS LEAD FREE OF 51374-**-**37/-**-**17.

| | | | | | | | |
|-----|------|------|------|------|------|--------------|----------|
| 8 | 30.7 | 32.1 | 32.4 | 29.5 | 32.8 | 51374-6039 | 60 |
| | 25.7 | 27.1 | 27.4 | 24.5 | 27.8 | 51374-5039 | 50 |
| | 23.2 | 24.6 | 24.9 | 22 | 25.3 | 51374-4539 | 45 |
| | 20.7 | 22.1 | 22.4 | 19.5 | 22.8 | 51374-4039 | 40 |
| | 17.2 | 18.6 | 18.9 | 16 | 19.3 | 51374-3339 | 33 |
| | 15.7 | 17.1 | 17.4 | 14.5 | 17.8 | 51374-3039 | 30 |
| | 13.7 | 15.1 | 15.4 | 12.5 | 15.8 | 51374-2639 | 26 |
| | 12.7 | 14.1 | 14.4 | 11.5 | 14.8 | 51374-2439 | 24 |
| | 10.7 | 12.1 | 12.4 | 9.5 | 12.8 | 51374-2039 | 20 |
| | 8.2 | 9.6 | 9.9 | 7 | 10.3 | 51374-1539 | 15 |
| 6 | 7.2 | 8.6 | 8.9 | 6 | 9.3 | 51374-1339 | 13 |
| 4.5 | 5.7 | 7.1 | 7.4 | 4.5 | 7.8 | 51374-1039 | 10 |
| F | E | D | C | B | A | MATERIAL NO. | CIRCUITS |

| | | | | | | | |
|--|---------------------------------------|------------|----------------------------|-----------|--------------------|------------------------|------------------------|
| REVISED EC NO: J2005-0620 DRAWN: HSHIMOTA 2004/09/01 CHKD: HHIRATA 2004/09/01 APPR: HHIRATA 2004/09/06 | GENERAL TOLERANCES (UNLESS SPECIFIED) | | DIMENSION STYLE MM ONLY | | SCALE 10:1 | DESIGN UNITS METRIC | THIRD ANGLE PROJECTION |
| | 10 UNDER | ±0.2 | DRAWN BY M. NABE I | | DATE 2004/02/18 | | |
| | 10 OVER 30 UNDER | ±0.25 | CHECKED BY M. SASAO | | DATE 2004/02/18 | | |
| | 30 OVER | ±0.3 | APPROVED BY M. SASAO | | DATE 2004/02/18 | | |
| | ANGULAR | ±1 ° | MATERIAL NO. | | DOCUMENT NO. | | SHEET NO. |
| DRAFT WHERE APPLICABLE MUST REMAIN WITHIN DIMENSIONS | | SIZE A3 | | SEE TABLE | | SD-51374-020 | 1 OF 2 |

0.5 FPC CONN. HS'G ASS'Y
EASY ON / STRAGIHT
-LEAD FREE-
MOLEX INCORPORATED

10 9 8 7 6 5 4 3 2 1

F

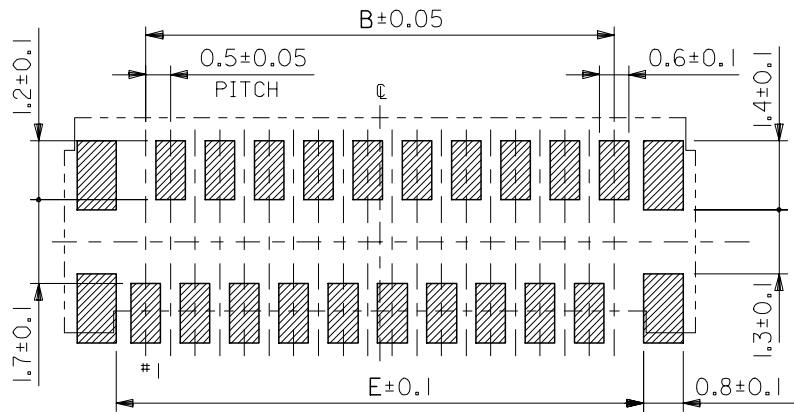
E

D

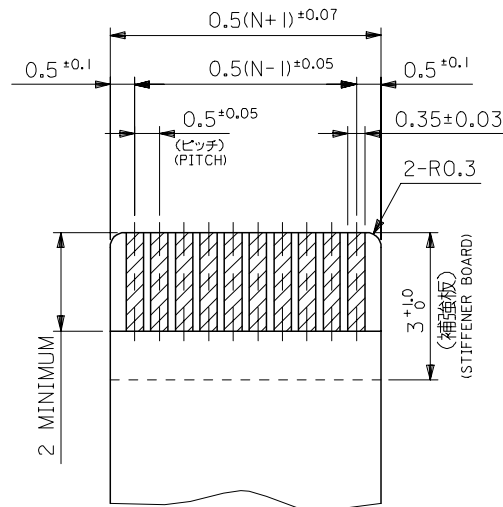
C

B

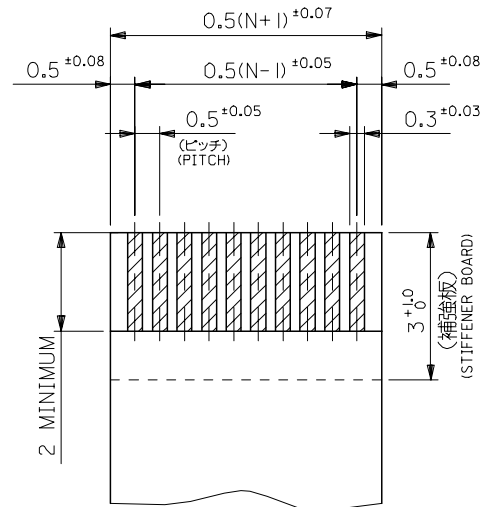
A



参考基板レイアウト (マウント面)
P.C. BOARD PATTERN DIMENSION (REF.)
(MOUNT AREA)



適合FPC推奨寸法
APPLICABLE FPC
RECOMMENDED DIMENSION
(仕上がり厚さ: 0.3^{+0.03})
(THICKNESS: 0.3^{+0.03})
N: 極数
N: CIRCUITS

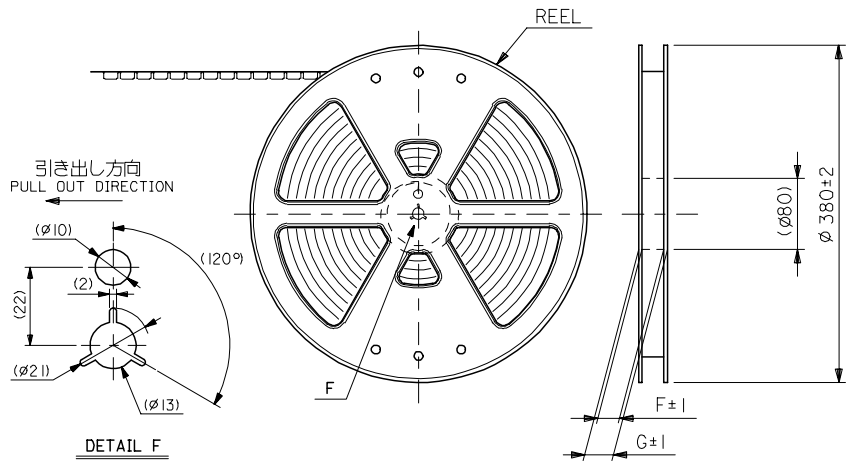


適合FFC推奨寸法
APPLICABLE FFC
RECOMMENDED DIMENSION
(仕上がり厚さ: 0.3^{+0.03})
(THICKNESS: 0.3^{+0.03})
N: 極数
N: CIRCUITS

FPCについて:
打抜き方向は導体側から補強板側を推奨致します。
補強フィルム材質はポリイミドを推奨致します。
接着剤は熱硬化接着剤を推奨致します。

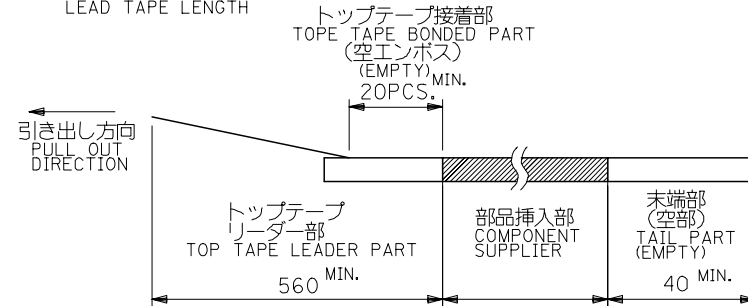
ABOUT FPC:
RECOMMENDED PUNCHER DIRECTION: FROM CONDUCTOR SIDE TO STIFFENER BOARD SIDE.
RECOMMENDED MATERIAL: STIFFENER FILM: POLYIMIDE
BONDING AGENT: THERMOSETTING BONDING AGENT

| | | | | | | | | |
|---|---------------------------------------|------------|----------------------------|--|--|------------------------|------------------------|--|
| REVISED EC NO.: J2005-0620 DRAWN: HSHIMOYA 2004/09/01 CHKD: HHIRATA 2004/09/01 APPR: HHIRATA 2004/09/06 REV: B | GENERAL TOLERANCES (UNLESS SPECIFIED) | | DIMENSION STYLE MM ONLY | | SCALE --- | DESIGN UNITS METRIC | THIRD ANGLE PROJECTION | |
| | 10 UNDER | ±0.2 | DRAWN BY M. NABEI | DATE 2004/02/18 | TITLE 0.5 FPC CONN. HS'G ASS'Y EASY ON / STRAGIHT -LEAD FREE- | | | |
| | 10 OVER 30 UNDER | ±0.25 | CHECKED BY M. SASAO | DATE 2004/02/18 | MOLEX INCORPORATED | | | |
| | 30 OVER | ±0.3 | APPROVED BY M. SASAO | DATE 2004/02/18 | DOCUMENT NO. SD-51374-020 | | SHEET NO. 2 OF 2 | |
| | ANGULAR | ±1 ° | MATERIAL NO. SEE TABLE | | | | | |
| DRAFT WHERE APPLICABLE MUST REMAIN WITHIN DIMENSIONS | | SIZE A3 | | THIS DRAWING CONTAINS INFORMATION THAT IS PROPRIETARY TO MOLEX INCORPORATED AND SHOULD NOT BE USED WITHOUT WRITTEN PERMISSION | | | | |



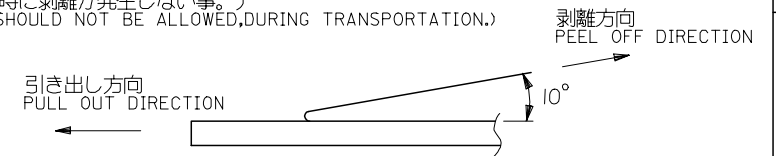
注)
NOTES

1. 製品番号 51374-**-39 詳細寸法については、製品単体図面を参照下さい。
IN THE PACKAGE PART NUMBER 51374-**-39 DETAILED DIMENSIONS, SEE SALES DRAWING FOR CONNECTOR.
2. 梱包数量：2000個/リール
NUMBER OF CONNECTORS: 2000 PCS/REEL.
3. リードテープ長さ
LEAD TAPE LENGTH



4. トップテープの剥離強度：(剥離方向は下図参照)
PEELING OFF FORCE OF TOP TAPE (PELLING DIRECTION AS SHOWN IN FOLLOWING FIGURE.)
0.1~1.3N {10~130gf}

尚、本規格値は、出荷時に適用。
THIS REQUIREMENT SHOULD BE APPLIED AT SHIPMENT.
(但し、輸送時に剥離が発生しない事。)
(PEEL OFF SHOULD NOT BE ALLOWED, DURING TRANSPORTATION.)



5. 材料
MATERIAL
キャリアテープ：ポリプロピレン (PP)
CARRIER TAPE: POLYPROPYLENE (PP)
トップテープ：PET, PE, PEF
TOP TAPE: PET, PE, PEF
リール：ポリスチレン
REEL: POLYSTYRENE

6. 本製品は51374-**-93/-**-90の鉛フリー品である。
THIS PRODUCT IS LEAD FREE OF 51374-**-93/-**-90.

| | | | | | | | | |
|---|---------------------------------------|------------|---|---|---|------------------------|------------------------|--|
| REVISED EC NO: J2005-0620 DRWN: HSHIMOYA 2004/09/01 CHKD: HHIRATA 2004/09/01 APPR: HHIRATA 2004/09/06 REV B | GENERAL TOLERANCES (UNLESS SPECIFIED) | | DIMENSION STYLE MM ONLY | | SCALE --- | DESIGN UNITS METRIC | THIRD ANGLE PROJECTION | |
| | 10 UNDER | ±0.2 | DRAWN BY DATE M. NABEI 2004/02/18 | | TITLE 51374-**-39 TAPING PACKAGE -LEAD FREE- | | | |
| | 10 OVER 30 UNDER | ±0.25 | CHECKED BY DATE M. SASAO 2004/02/18 | | | | | |
| | 30 OVER | ±0.3 | APPROVED BY DATE M. SASAO 2004/02/18 | | MOLEX INCORPORATED DOCUMENT NO. SD-51374-021 SHEET NO. 1 OF 2 | | | |
| | ANGULAR | ±1 ° | MATERIAL NO. SEE TABLE | | | | | |
| DRAFT WHERE APPLICABLE MUST REMAIN WITHIN DIMENSIONS | | SIZE A3 | | THIS DRAWING CONTAINS INFORMATION THAT IS PROPRIETARY TO MOLEX INCORPORATED AND SHOULD NOT BE USED WITHOUT WRITTEN PERMISSION | | | | |

10 9 8 7 6 5 4 3 2 1

F

E

D

C

B

A

F

E

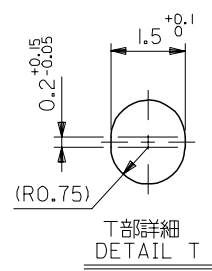
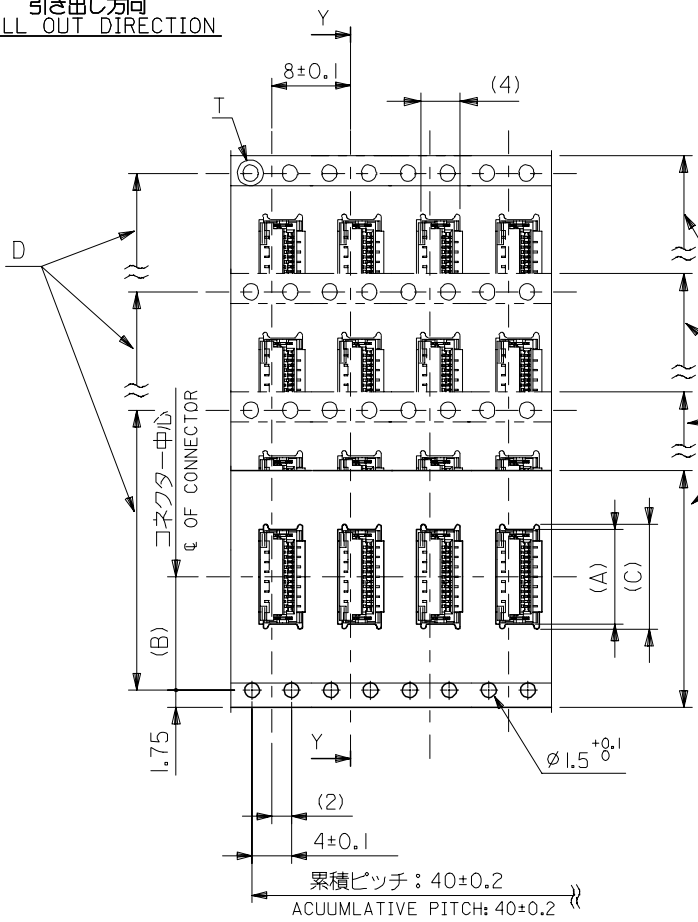
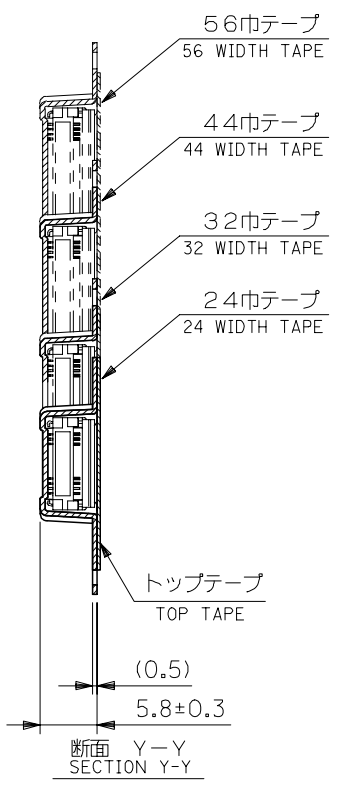
D

C

B

A

引き出し方向
PULL OUT DIRECTION



| | | | | | | | | |
|------|------|-------------------------------------|------|------|------|------|----------------------|----------------|
| 61.4 | 57.4 | 56±0.3 | 52.4 | 34.1 | 26.2 | 33.1 | 51374-6073 | 60 |
| 49.4 | 45.4 | 44±0.3 | 40.4 | 29.1 | 20.2 | 28.1 | 51374-5073 | 50 |
| | | | | 26.6 | | 25.6 | 51374-4573 | 45 |
| | | | | 24.1 | | 23.1 | 51374-4073 | 40 |
| 37.4 | 33.4 | 32±0.3 | 28.4 | 19.1 | 14.2 | 18.1 | 51374-3073 | 30 |
| | | | | 17.1 | | 16.1 | 51374-2673 | 26 |
| | | | | 16.1 | | 15.1 | 51374-2473 | 24 |
| 29.4 | 25.4 | 24±0.3 | - | 14.1 | 11.5 | 13.1 | 51374-2073 | 20 |
| | | | | 11.6 | | 10.6 | 51374-1573 | 15 |
| | | | | 10.6 | | 9.6 | 51374-1373 | 13 |
| G | F | E キャリアテープ幅 CARRIER TAPE WIDTH | D | (C) | (B) | (A) | 製品番号 MATERIAL NO. | 極数 CIRCUITS |
| | | | | | | | 8.1 | 51374-1073 |

| | | | | | | | | |
|--|---------------------------------------|-------|----------------------------|--|---|------------------------|---|--|
| REVISED EC NO: J2005-0620 DRAWN: HSHIMOYA 2004/09/01 CHKD: HHIRATA 2004/09/01 APPR: HHIRATA 2004/09/06 | GENERAL TOLERANCES (UNLESS SPECIFIED) | | DIMENSION STYLE MM ONLY | | SCALE --- | DESIGN UNITS METRIC | THIRD ANGLE PROJECTION | |
| | 10 UNDER | ±0.2 | DRAWN BY M. NABE I | | DATE 2004/02/18 | | TITLE 51374-***39 TAPING PACKAGE -LEAD FREE- | |
| | 10 OVER 30 UNDER | ±0.25 | CHECKED BY M. SASAO | | DATE 2004/02/18 | | MOLEX INCORPORATED | |
| | 30 OVER | ±0.3 | APPROVED BY M. SASAO | | DATE 2004/02/18 | | DOCUMENT NO. SD-51374-021 | |
| | ANGULAR | ±1 ° | MATERIAL NO. | | DOCUMENT NO. SD-51374-021 | | SHEET NO. 2 OF 2 | |
| DRAFT WHERE APPLICABLE MUST REMAIN WITHIN DIMENSIONS | | | SEE TABLE | | THIS DRAWING CONTAINS INFORMATION THAT IS PROPRIETARY TO MOLEX INCORPORATED AND SHOULD NOT BE USED WITHOUT WRITTEN PERMISSION | | | |