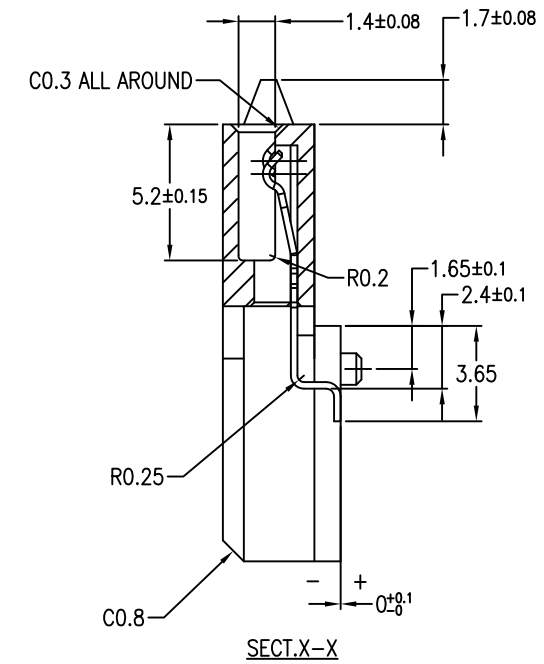
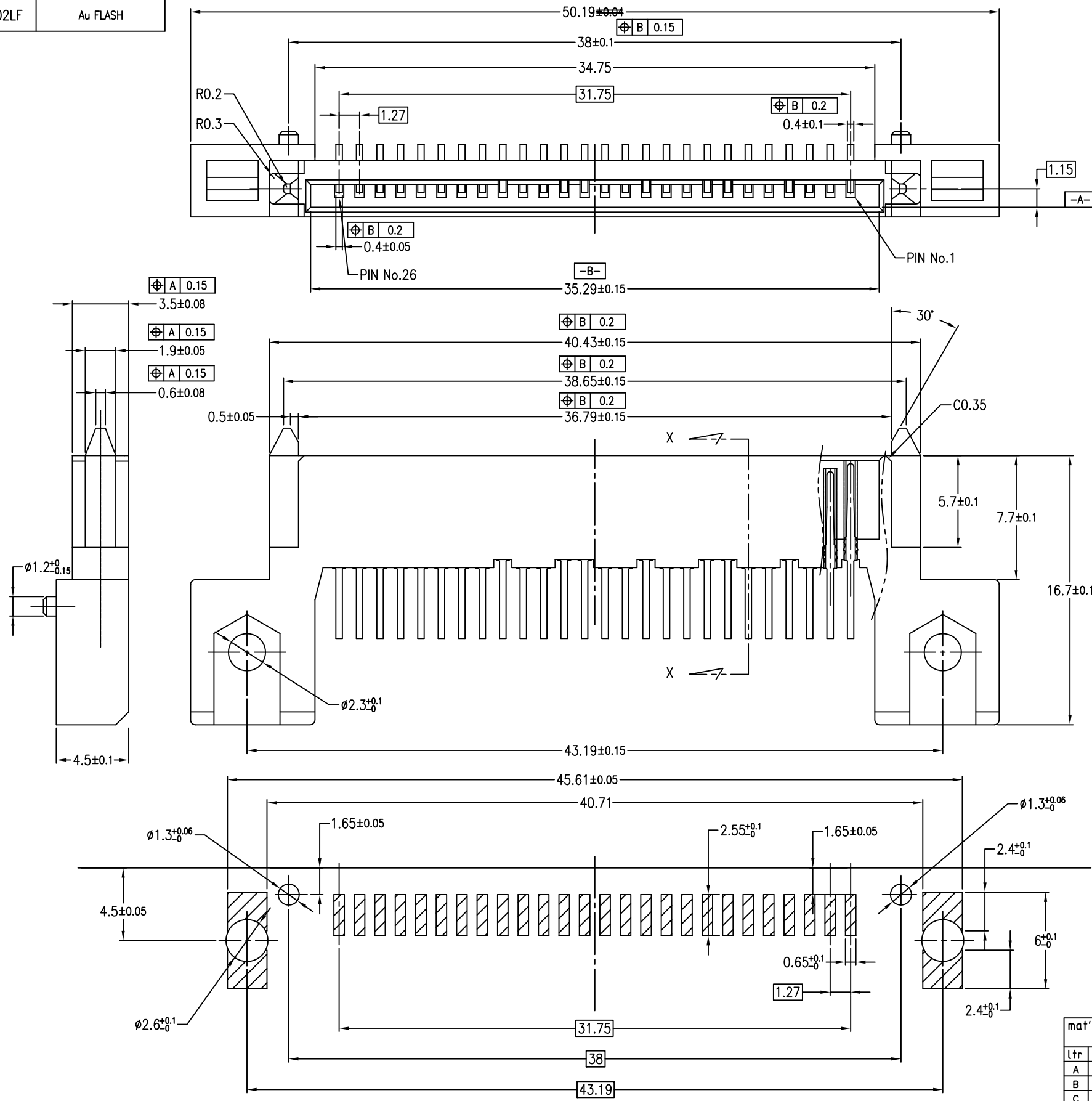


PRODUCT NO.	FINISH : Solder Tail
10033998-001	Pure Sn 1.27μm MIN.
10033998-002	Au FLASH
10033998-002LF	Au FLASH

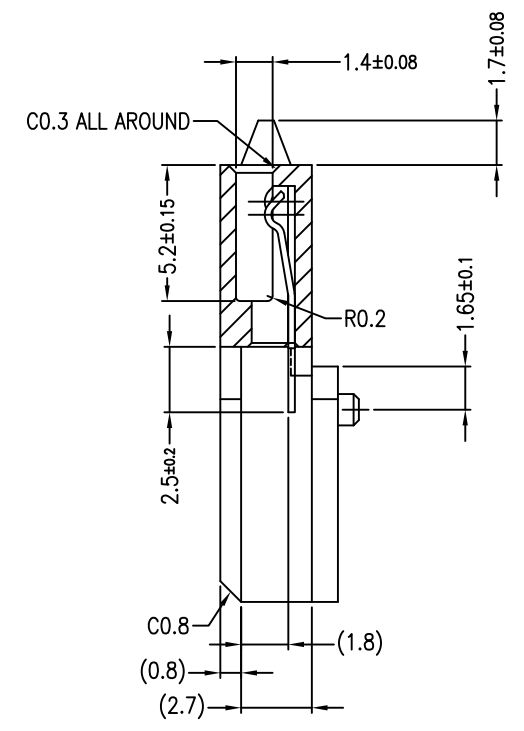
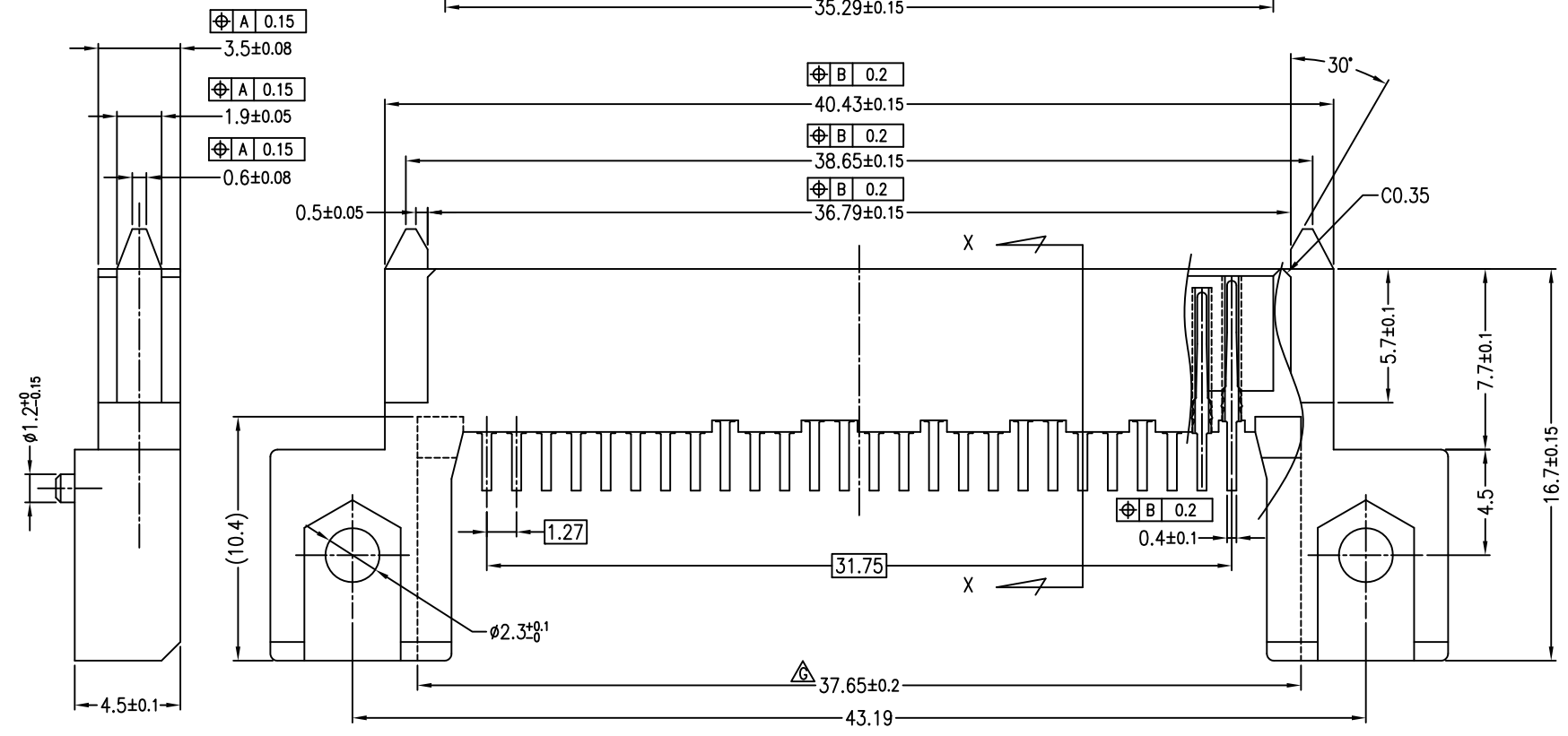
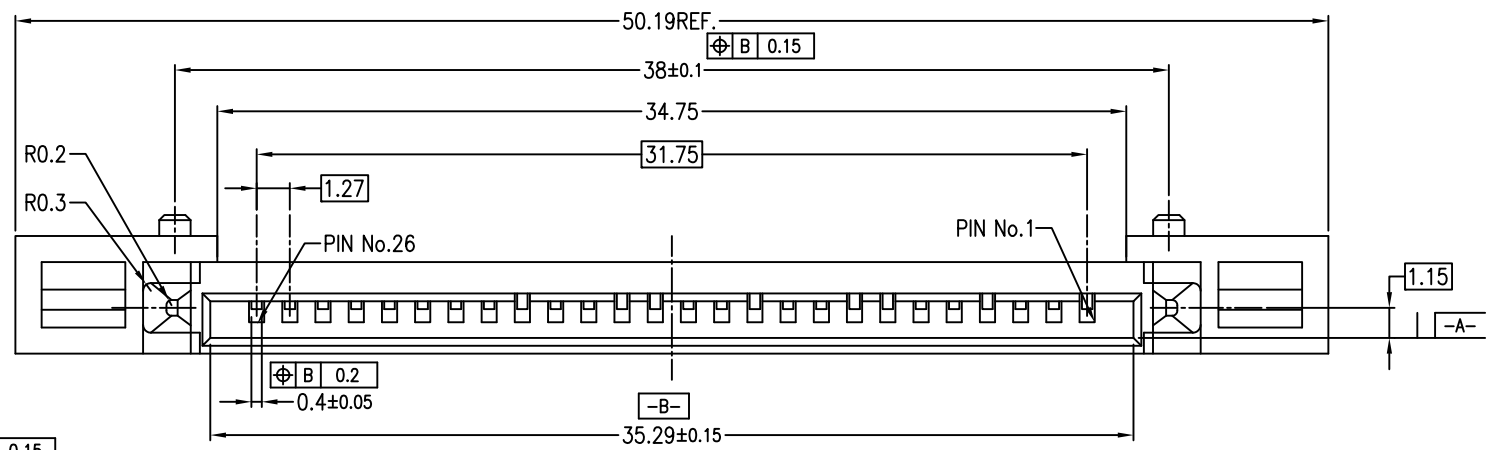


- NOTE
- THIS PRODUCT MEETS THE iVDR-HWSPEC (2.5-inch, 1.8-inch Serial type)
  - MATERIAL
    - HOUSING : HIGH TEMPERATURE THERMOPLASTIC, BLACK, UL94V-0
    - TERMINAL : COPPER ALLOY
  - FINISH
    - TERMINAL : ALL OVER Ni 1.27μm MIN.  
CONTACT POINT Au PLATING 0.3μm MIN.  
SOLDER TAIL SEE TABLE
  - RoHS  
THIS PRODUCT MEETS EUROPEAN UNION DIRECTIVES AND OTHER COUNTRY REGULATIONS AS DESCRIBED IN GS-22-008

RECOMMENDED MOUNTING LAYOUT  
TOLERANCE UNLESS OTHERWISE: ±0.1

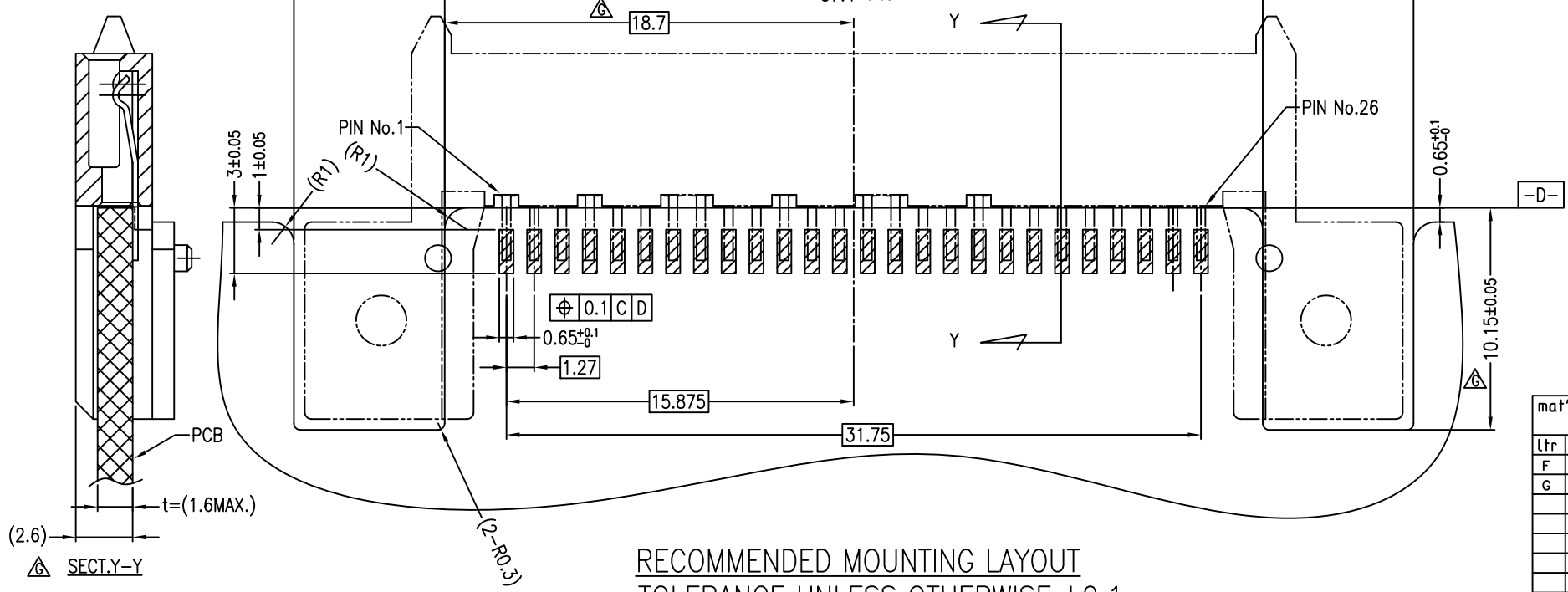
mat'l. code		surface		tolerance		projection		product family		CODE	
---		ISO 1302		ISO 406 ISO 1101		MM		53MF		JP	
ltr	description	ecn no	dr	date	tolerances unless otherwise specified	MM		title		sheet 1 of 2 size	
A	RELEASED	J04-0286	Y.K	8/23/04	0.X ±0.3	MM		ASSEMBLY		5	
B	REVISED	J05-0107	Y.K	2/24/05	0.XX ±0.3	MM		S-iVDR COMB RECE.			
C	Change DWG form	J07-0041	Y.K	1/23/07	0.XXX ±0.3	scale 5:1		SMT R/A TYPE			
D	Change of P/N	J07-0464	Y.K	2007-9-13	dr	Y.KAMEDA 2014-05-16		dwg no		sheet 1 of 2 size	
E	Change of P/N	J08-0253	Y.K	2008-6-12	enrg	Y.KAMEDA 2014-05-16		10033998		A2	
F	Add sheet2	J09-0416	Y.K	2008-6-12	chr	M.MINATO 2014-05-16		type		Product Customer Drawing	
G	Change of sheet2	ELX-J-17883	Y.K	2014-05-16	appd	N.SASAME 2014-05-16		Rev.		G	
sheet index	revision sheet	G	G								

PRODUCT NO.  
10033998-002STLF



SECT.X-X

NOTE  
 1.THIS PRODUCT MEETS THE iVDR-HWSPEC (2.5-inch, 1.8-inch Serial type)  
 2.MATERIAL  
 1) HOUSING : HIGH TEMPERATURE THERMOPLASTIC,BLACK, UL94V-0  
 2) TERMINAL : COPPER ALLOY  
 3.FINISH  
 1) TERMINAL : ALL OVER Ni 1.27μm MIN.  
 CONTACT POINT Au PLATING 0.3μm MIN.  
 SOLDER TAIL Au Flash  
 4.RoHS  
 THIS PRODUCT MEETS EUROPEAN UNION DIRECTIVES AND OTHER  
 COUNTRY REGULATIONSAS DESCRIBED IN GS-22-008



RECOMMENDED MOUNTING LAYOUT  
 TOLERANCE UNLESS OTHERWISE:±0.1

mat'l. code		surface		tolerance		projection		product family		CODE	
---		ISO 1302		ISO 406		MM		53MF		JP	
description		ecn no		dr date		tolerances unless otherwise specified		title		sheet 2 of 2 size	
F RELEASED		J09-0416		Y.K 2009-11-26		0.X ±0.3		ASSEMBLY		5	
G REVISED		ELX-J-17883		Y.K 2014-05-16		0.XX ±0.3		S-iVDR COMB RECE.		A2	
						0.XXX ±0.3		SMT R/A TYPE			
						0°±2'		scale 5:1			
				dr Y.KAMEDA		2009-11-26		FCJ		dwg no	
				enrg Y.KAMEDA		2009-11-26				10033998	
				chr						type	
				appd						Product Customer Drawing	
sheet index		revision sheet								Rev.	
										G	

Copyright FCI  
 FCIconnect.com