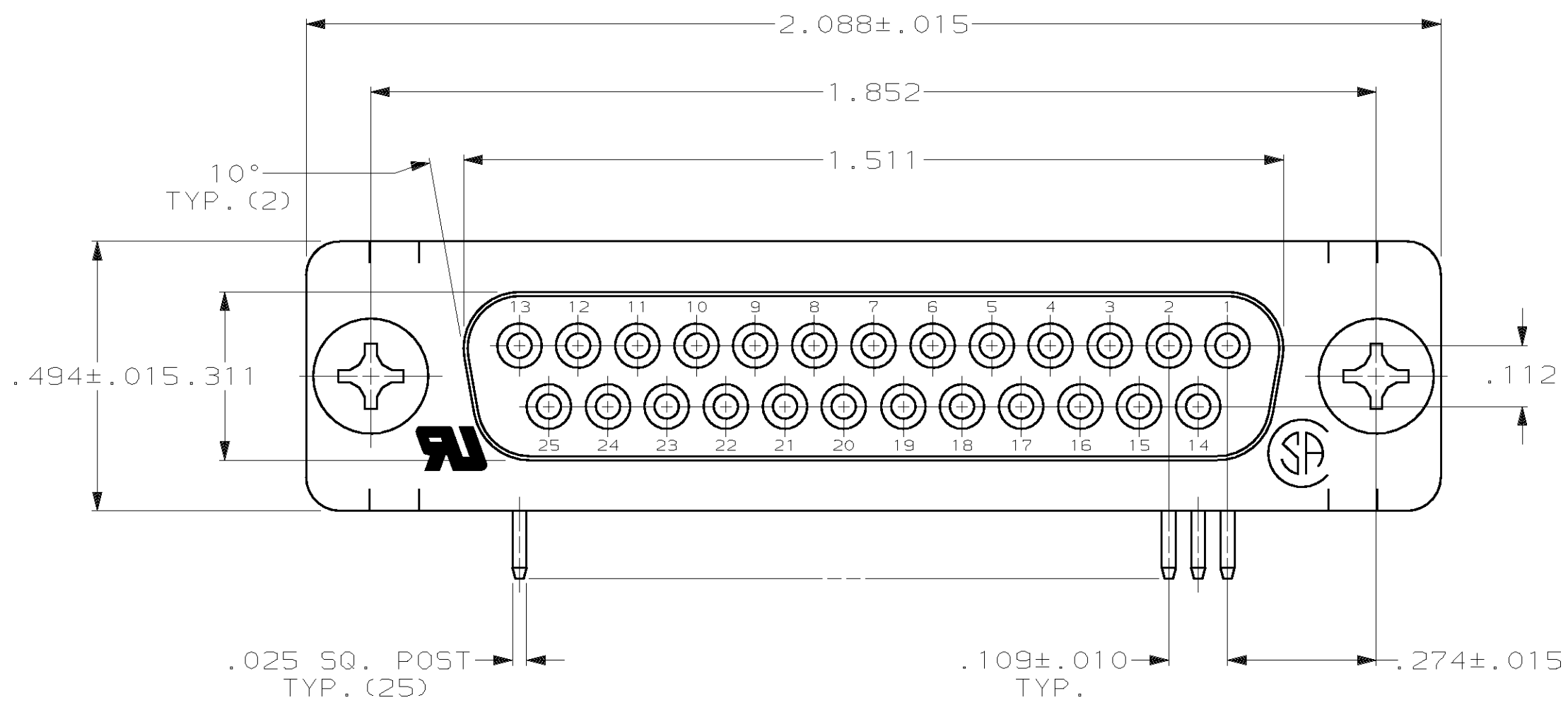
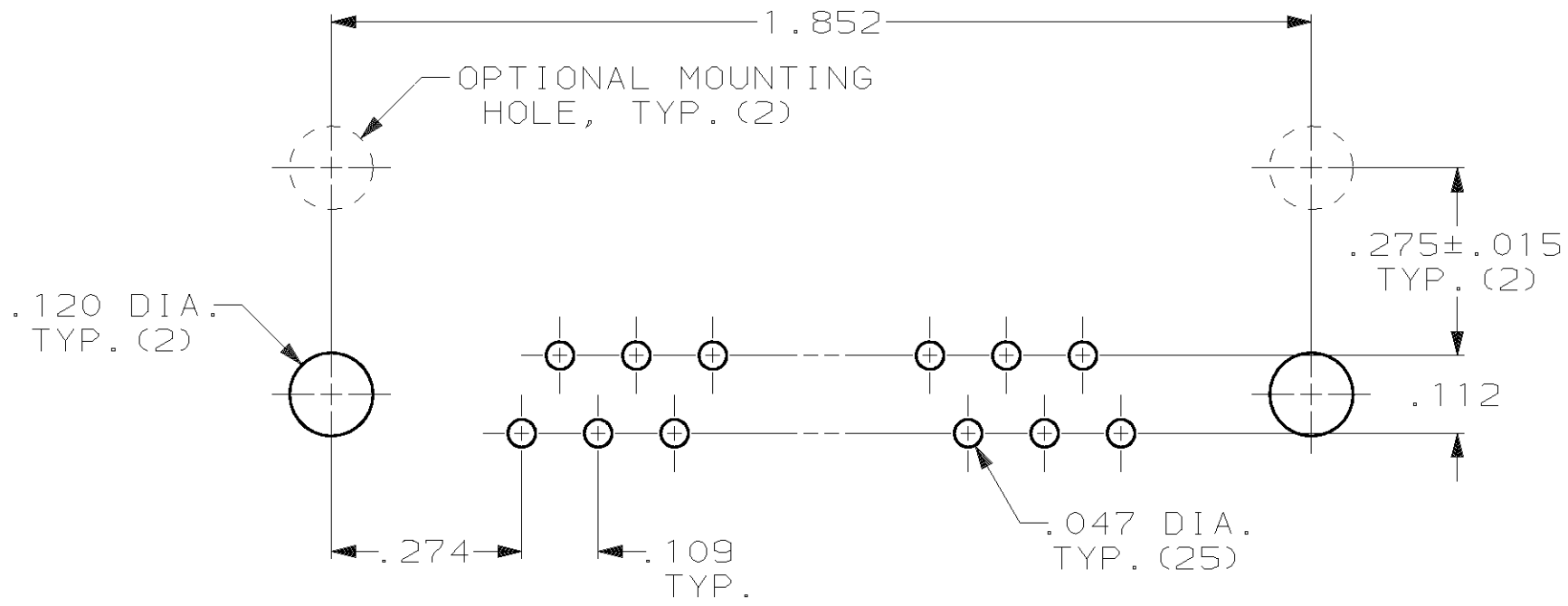
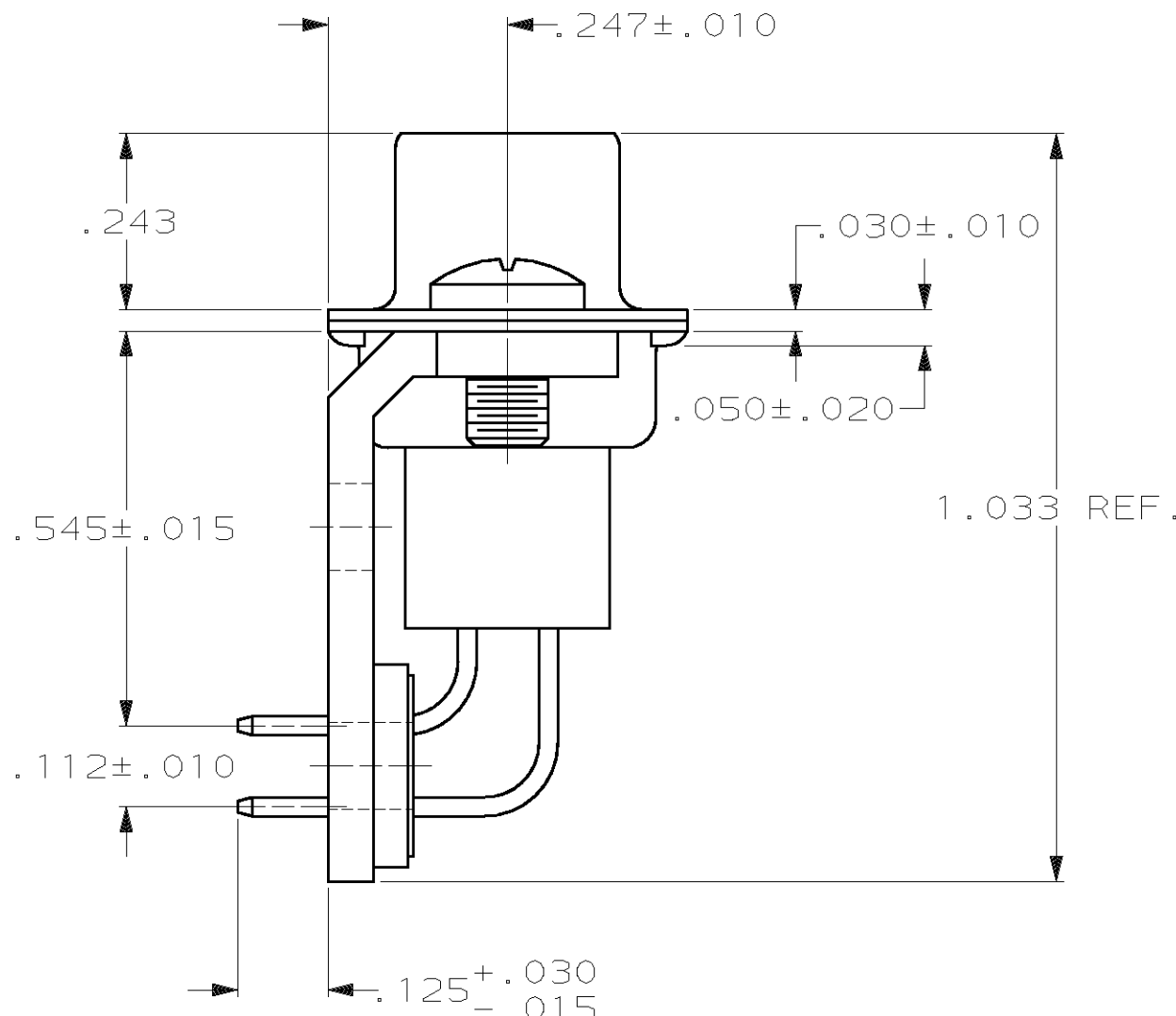
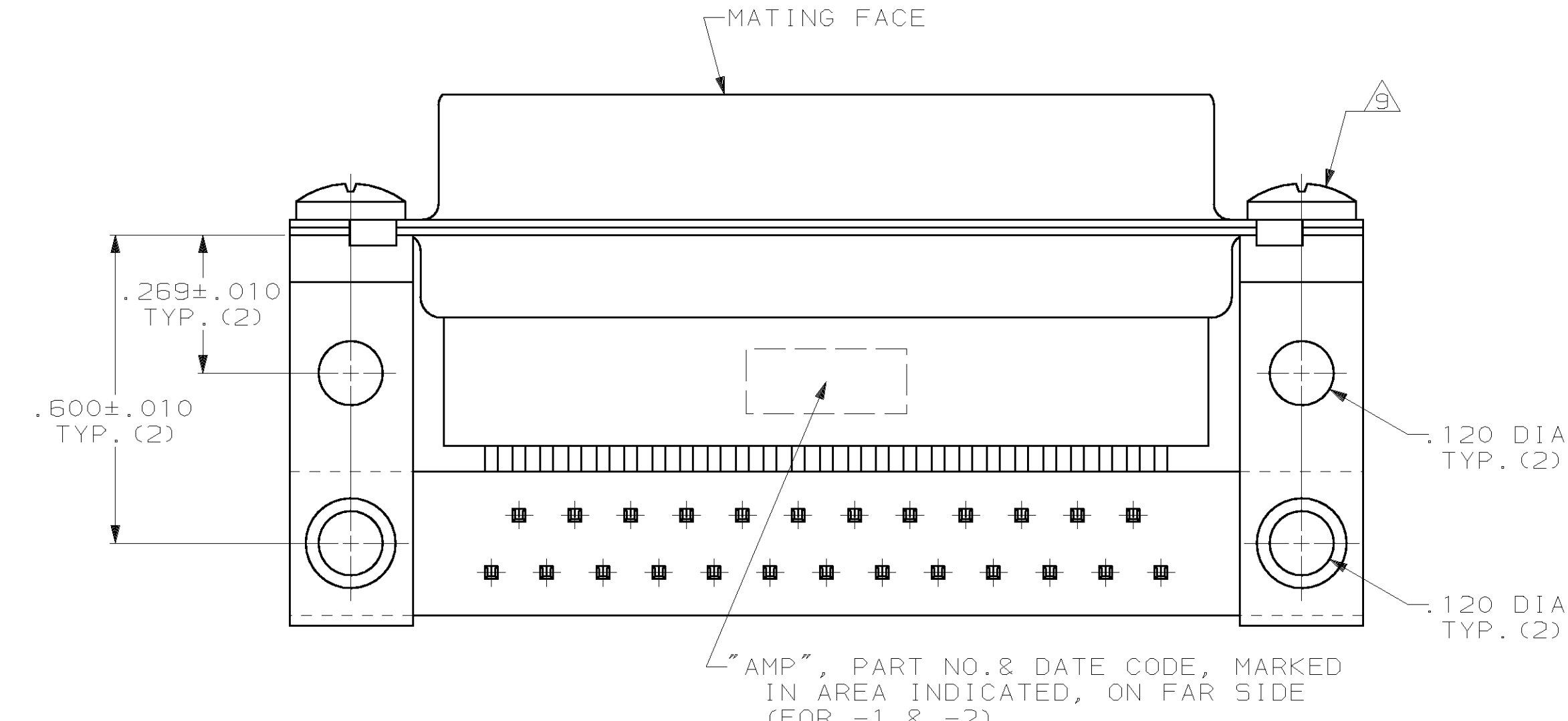


MOD		LOC		DIST		P		F		ZONE		LTR		REVISIONS		DATE	APPD
-		GP		00											REV PER EC 001D-0275-00	03JAN02	JR



- CONNECTOR MATES WITH ANY 25 POS. PLUG IN AMPLIMITE SERIES & COMPLIES WITH AMP SPEC. 108-40,005 WHERE APPLICABLE.
- FLAME RETARDANT 94V-0 RATED THERMOPLASTIC; COLOR: BLACK.
- STEEL PER ASTM A109.
- PHOS. BRONZE PER QQ-B-750.
- TIN PLATING PER MIL-T-10727, GOLD PLATING PER MIL-G-45204, NICKEL PLATING PER QQ-N-290.
- TIN PLATED.
- GOLD FLASH FOR A LENGTH OF .100 MINIMUM FROM MATING END, .000100 MINIMUM TIN-LEAD ON OPPOSITE END, BOTH OVER .000050 MINIMUM NICKEL.
- .000030 MINIMUM GOLD FOR A LENGTH OF .100 MINIMUM FROM MATING END, .000100 MINIMUM TIN-LEAD ON OPPOSITE END, BOTH OVER .000050 MINIMUM NICKEL.
- SCREWS ARE FOR -1 & -2.



OBSOLETE	8	745114-3
OBSOLETE	8	745114-2
OBSOLETE	7	745114-1
	CONTACT FINISH	PART NO

DO NOT SCALE PRINT. UNLESS SPECIFIED DIMENSIONS IN INCHES TOLERANCES ON : 2 PLC DEC ± - 3 PLC DEC ± .005 ANGLES ± 2°	DR 12-9-83 J. GERACE	AMP Incorporated Harrisburg, PA 17105-3608	
	CHK 12-9-83 J. GERACE		
MATERIAL MOLDED PARTS: 6 SHELLS & BRACKETS: 3 CONTACTS: 4	APPD 3-15-84 P. SWEIGARD	NAME RECEPTACLE ASSEMBLY, SIZE 3, 25 POS., RIGHT ANGLE, .545 SERIES, .025 SQ. POSTS, AMPLIMITE™ HDP	
	APPD 3-15-84 J. ASSINI	PRODUCT SPEC	
FINISH 6 SHELLS & BRACKETS: 6 CONTACTS: SEE TABLE	APPLICATION SPEC	SIZE	CAGE CODE
WEIGHT -		DRAWING NO	
		SCALE	SHEET