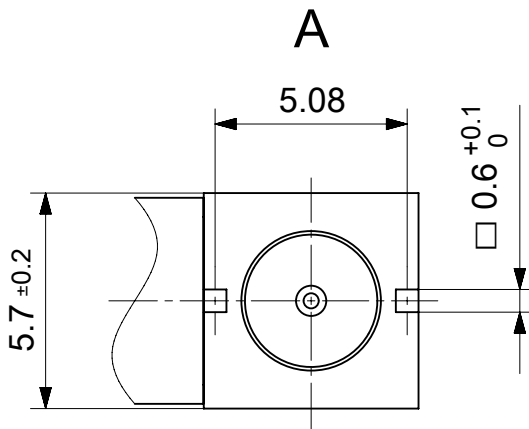
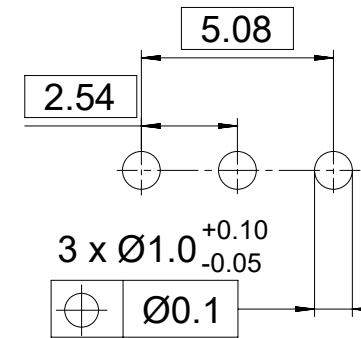


### PCB-Layout



RoHS compliant  
by exemption

1731120824	FME008S101	101
1727040132	FME008S102	102
1731121073	FME008S202	202
Material Number	FCT Part Number	Material + Finish See extra sheet

UNLESS OTHERWISE SPECIFIED DIMENSIONS FOR REFERENCE ONLY				REPLACEMENT FOR DOCUMENT NUMBER: FME008S							
THIS DRAWING CONTAINS INFORMATION THAT IS PROPRIETARY TO MOLEX ELECTRONIC TECHNOLOGIES, LLC AND SHOULD NOT BE USED WITHOUT WRITTEN PERMISSION											
FUNCTIONAL SYMBOLS	DIMENSION UNITS	SCALE	CURRENT REV DESC:								
$\frac{F}{A} = 0$	mm	5:1	EC NO: 710158								
$\frac{F}{E} = 0$	GENERAL TOLERANCES (UNLESS SPECIFIED)		DRWN: VLOKESHA 2021/04/16								
$\frac{F}{P} = 0$	ANGULAR TOL ± °		CHK'D: FVETTER 2022/06/13								
DIVISIONAL SYMBOLS	4 PLACES	±	APPR: FVETTER 2022/06/13								
	3 PLACES	±	INITIAL REVISION:								
	2 PLACES	±	DRWN: VLOKESHA 2021/04/16								
	1 PLACE	±	APPR: FVETTER 2022/06/13								
	0 PLACES	±	DRAFT WHERE APPLICABLE MUST REMAIN WITHIN DIMENSIONS		FIRST ANGLE PROJECTION	DRAWING	SERIES	MATERIAL NUMBER	CUSTOMER	SHEET NUMBER	
						A4-SIZE	173112	SEE TABLE	GENERAL MARKET	1 OF 1	
			molex			FCT 50 OHM COAXIAL CONTACT FOR D-SUB			PRODUCT CUSTOMER DRAWING		
						DOCUMENT NUMBER			DOC TYPE	DOC PART	REVISION
						1731120824			PSD	000	A