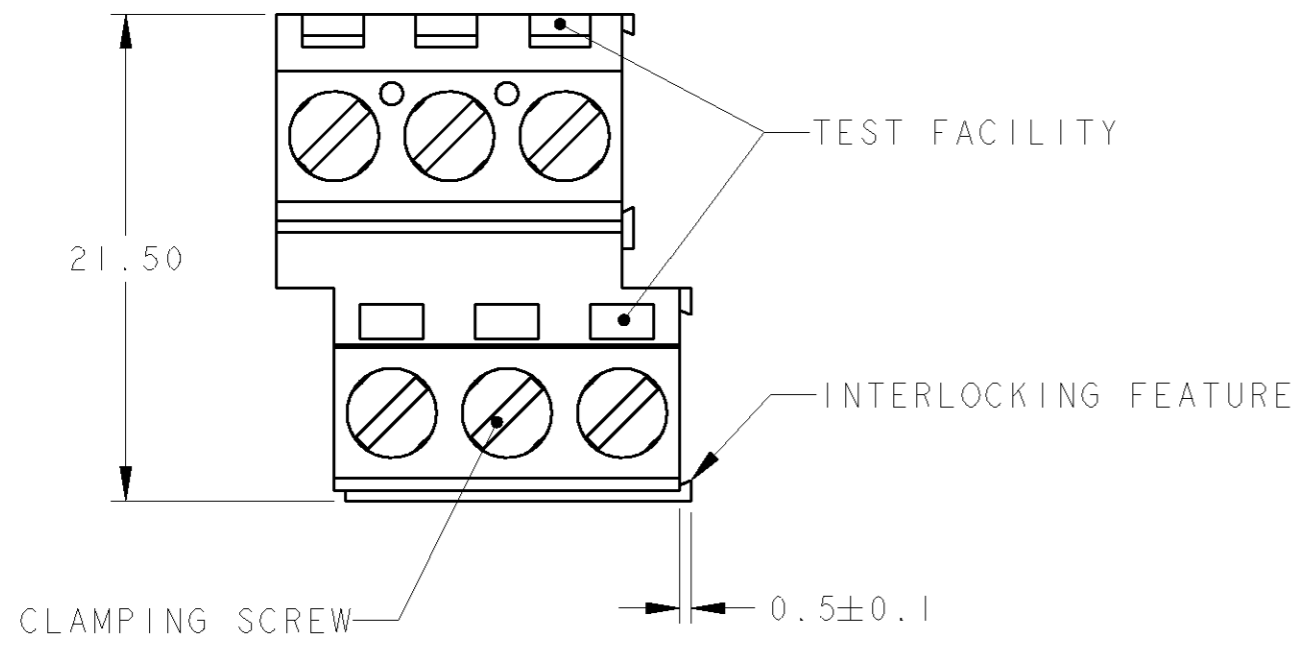
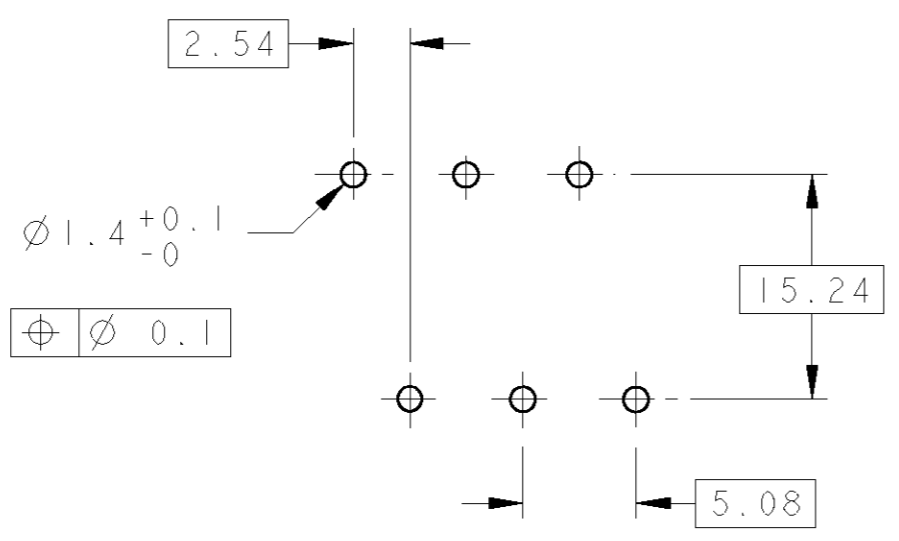
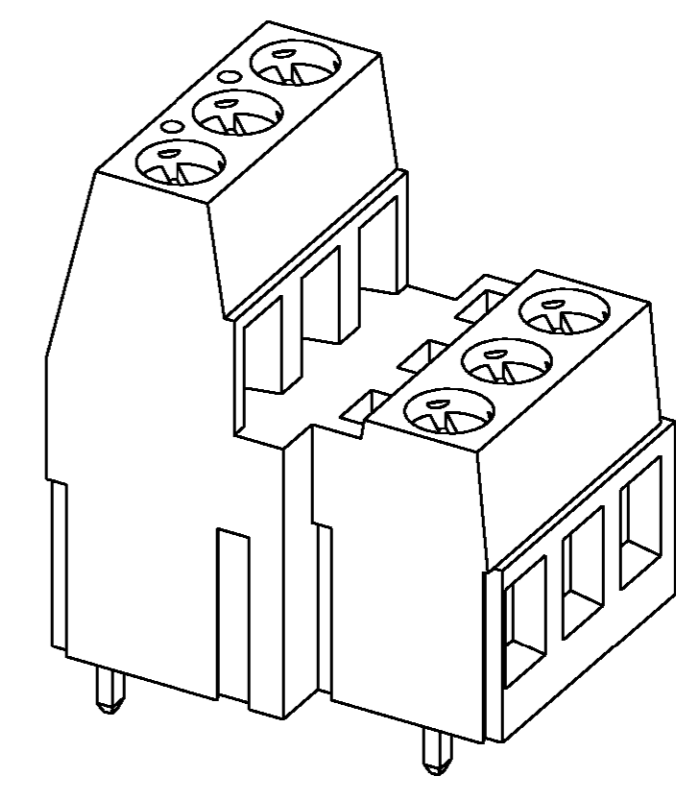
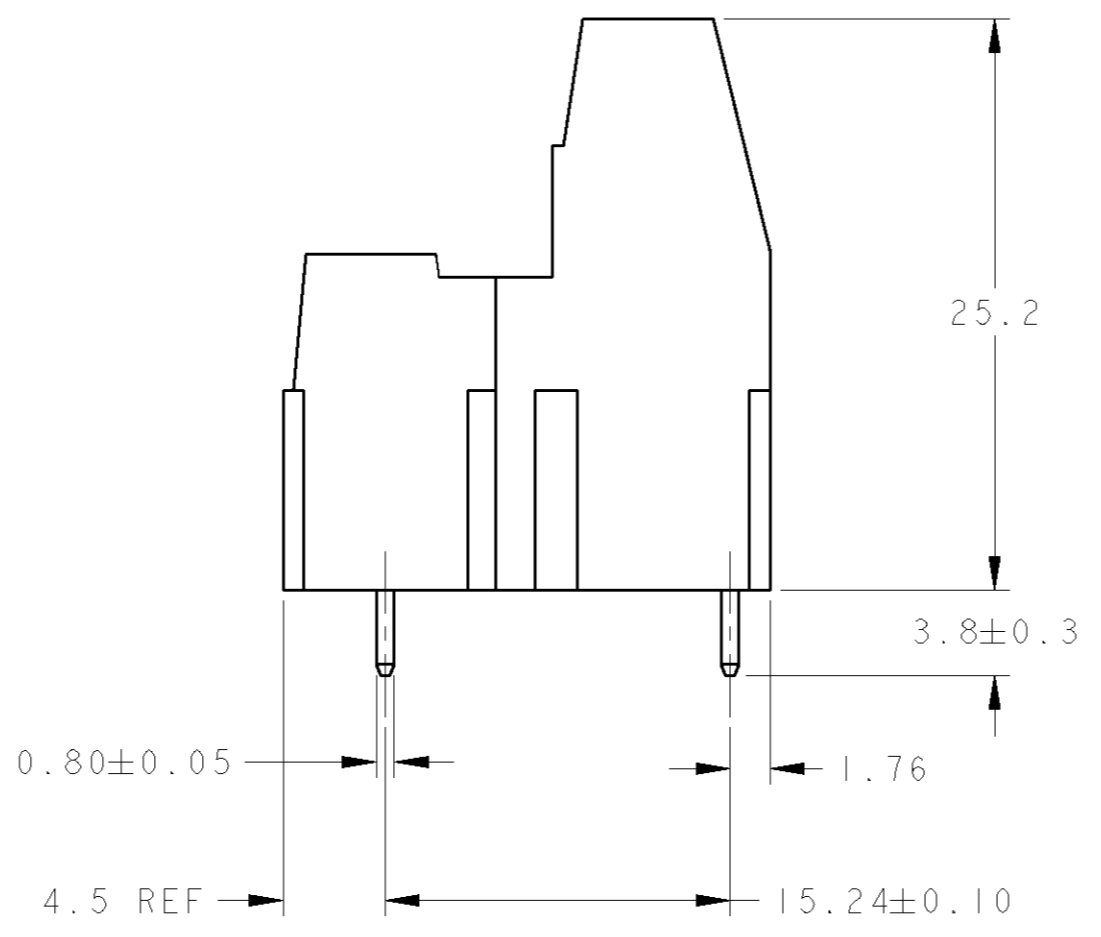
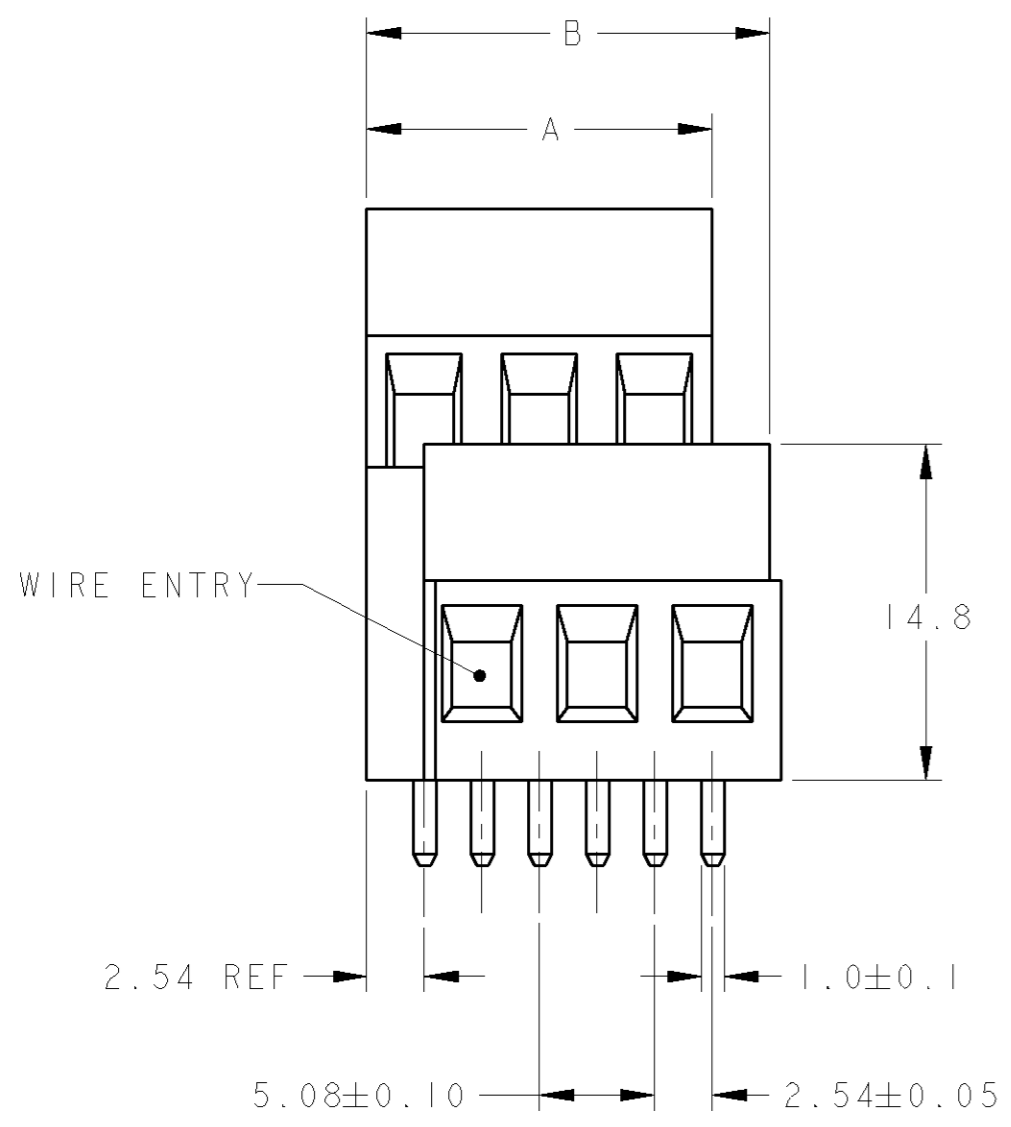


THIS DRAWING IS UNPUBLISHED. RELEASED FOR PUBLICATION 20
 © COPYRIGHT 20 BY TYCO ELECTRONICS CORPORATION. ALL RIGHTS RESERVED.

LOC	DIST	REVISIONS					
FT	0	P	LTR	DESCRIPTION	DATE	DWN	APVD
			A	RELEASED	-	-	-



- ⚠ MATERIALS AND FINISH
 HOUSING: PA 6-6, UL 94-V0, COLOR GRAY.
 CLAMP: BRASS, NICKEL PLATED.
 TERMINAL: BRASS, TIN PLATED.
 CLAMPING SCREW: M3, BRASS, NICKEL PLATED.
- SUITABLE FOR 1,6-2,4mm PC BOARD THICKNESS.
 - END-TO-END STACKABLE W/INTERLOCK WITHOUT LOSS OF CENTERLINE SPACING.
 - WIRE SIZE RANGE: 12-30 AWG.
 - RECOGNIZED UNDER THE COMPONENT PROGRAM OF UNDERWRITERS LABORATORIES INC., FILE N° E60677.
 - IMQ CERTIFICATE WITH SURVEILLANCE IN CONFORMITY WITH IEC 998-1/998-2-1.



RECOMMENDED PC BOARD LAYOUT

17.78	15.24	3	1546222-3
12.70	10.16	2	1546222-2
B	A	NO OF POSN	PART NUMBER

THIS DRAWING IS A CONTROLLED DOCUMENT FOR TYCO ELECTRONICS CORPORATION. IT IS SUBJECT TO CHANGE AND THE CONTROLLING ENGINEERING ORGANIZATION SHOULD BE CONTACTED FOR THE LATEST REVISION.		DWN S. WELDON 10MAR2004	Tyco Electronics Harrisburg, PA 17105-3608	
DIMENSIONS: mm		CHK C. RICHARD 10MAR2004	NAME BUCHANAN	
TOLERANCES UNLESS OTHERWISE SPECIFIED: 0 PLC ± 1 PLC ±0.3 2 PLC ±0.25 3 PLC ± 4 PLC ±		APVD C. RICHARD 10MAR2004	PRODUCT SPEC 108-20166	
MATERIAL		FINISH	APPLICATION SPEC 114-20079	RESTRICTED TO
∠ -		∠ -	WEIGHT -	SIZE A2
CUSTOMER DRAWING		SCALE 3:1		SHEET 1 OF 1 REV A