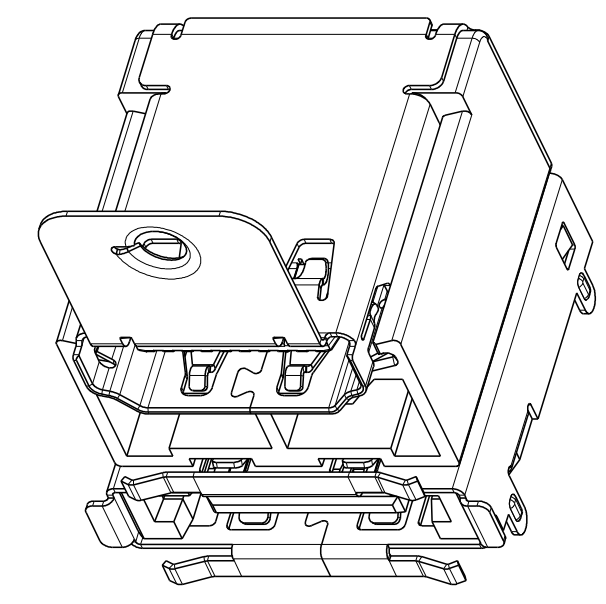
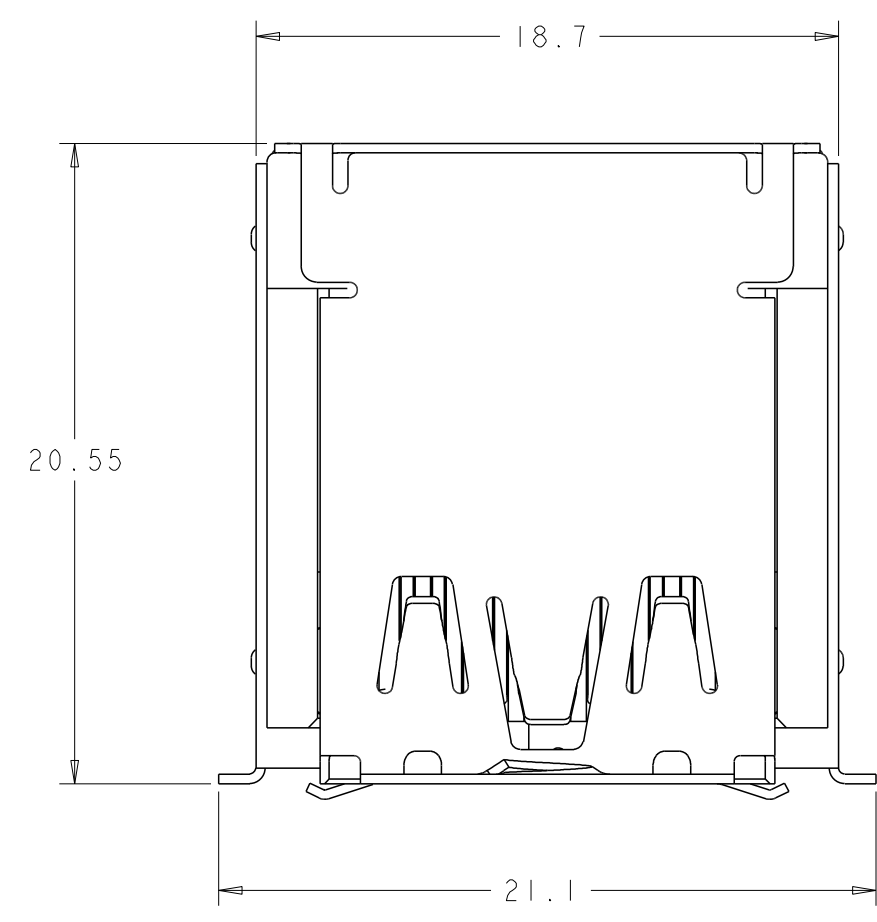


LOC		DIST		REVISIONS				
GP	00	P	LYR	DESCRIPTION	DATE	OWN	APVD	
		F		REVISED PER ECO-08-030380	05DEC08	JDP	SLB	
		G		OBSOLETE PER ECO-12-000957	16JAN2012	F.L	S.Y	



SCALE 4:1

△ MATERIALS:

HOUSING: HIGH TEMP THERMOPLASTIC, UL94V-0, BLACK.
 CONTACTS: COPPER ALLOY
 SHIELDS: STAINLESS STEEL

△ FINISH:

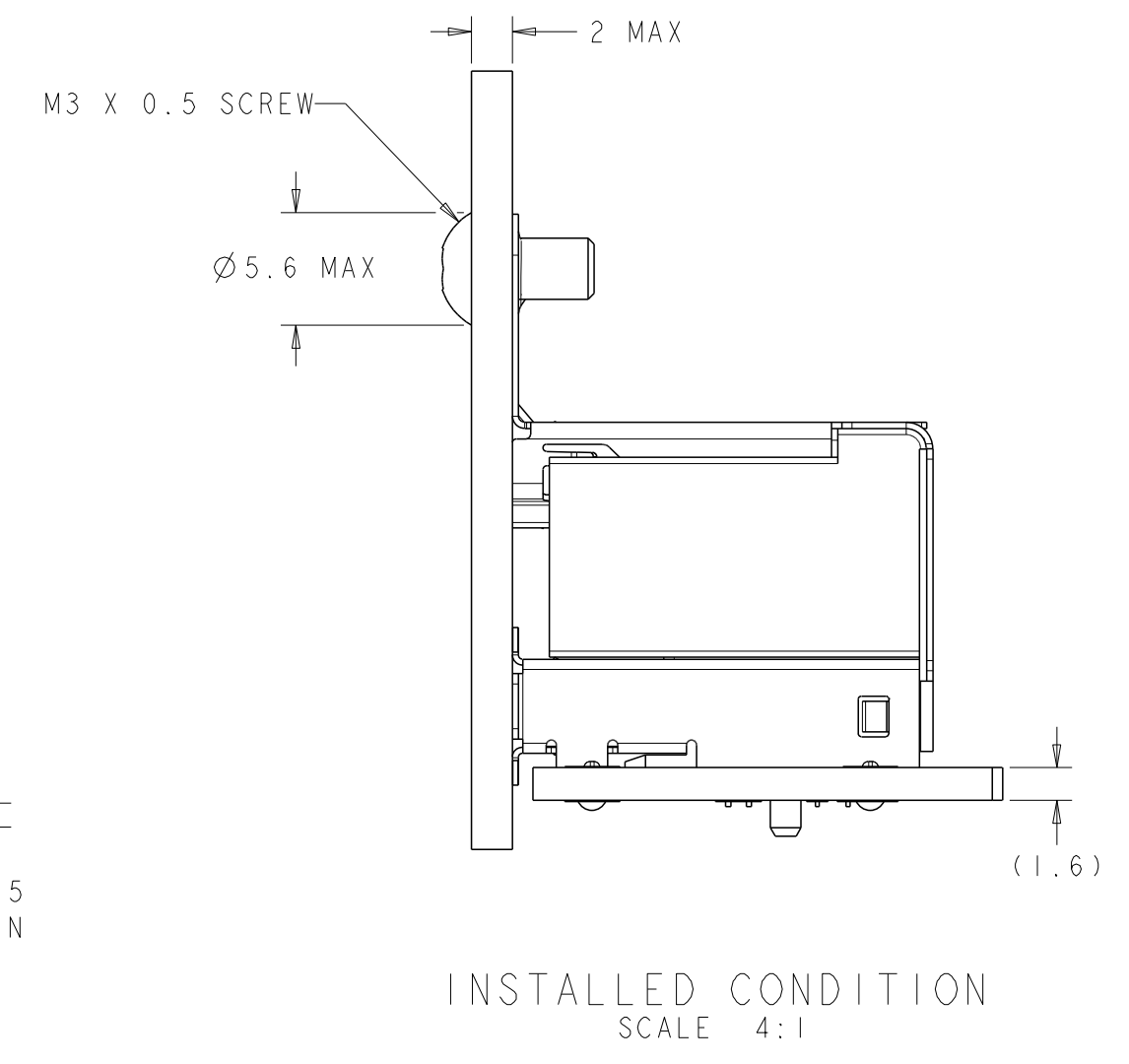
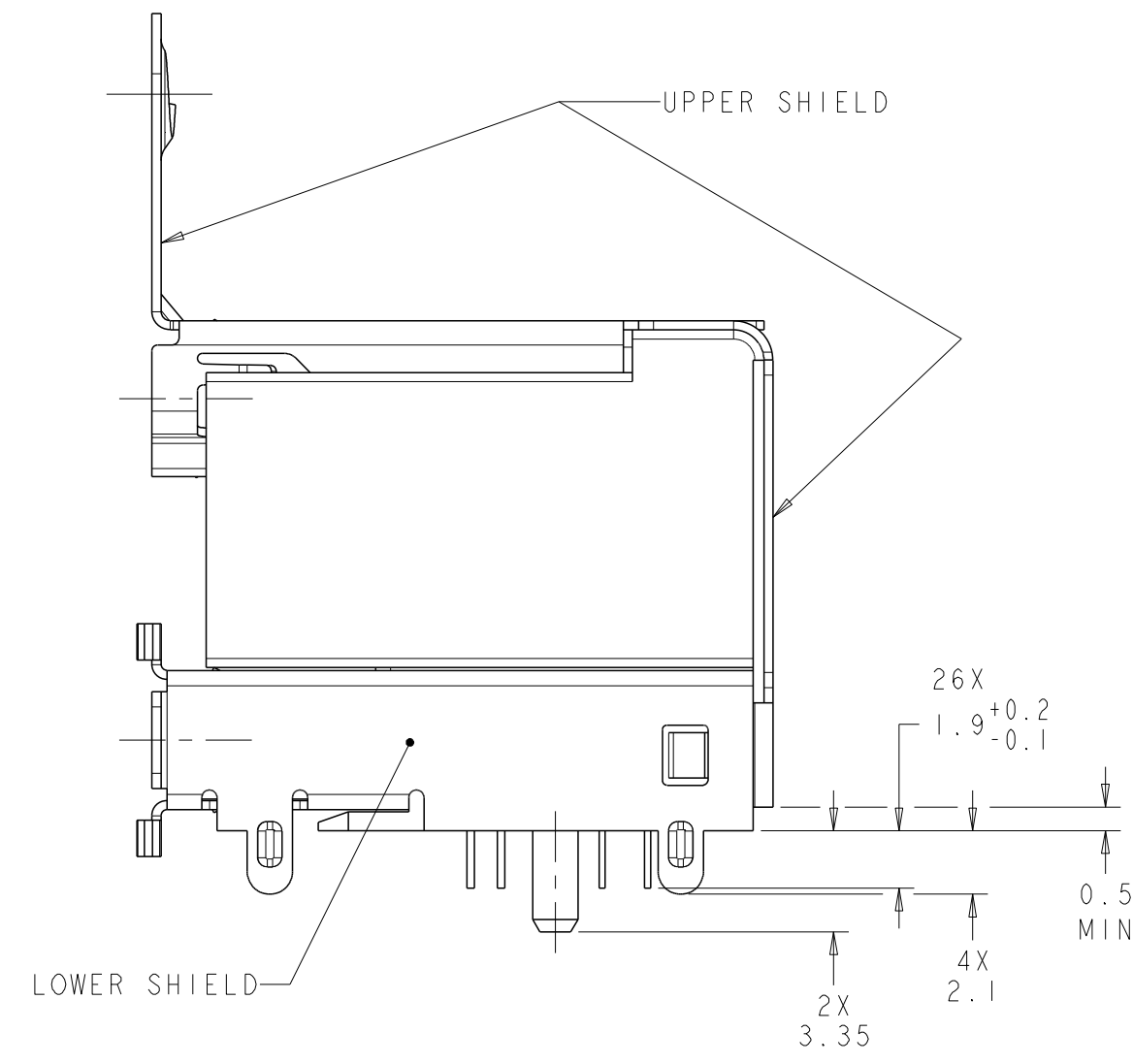
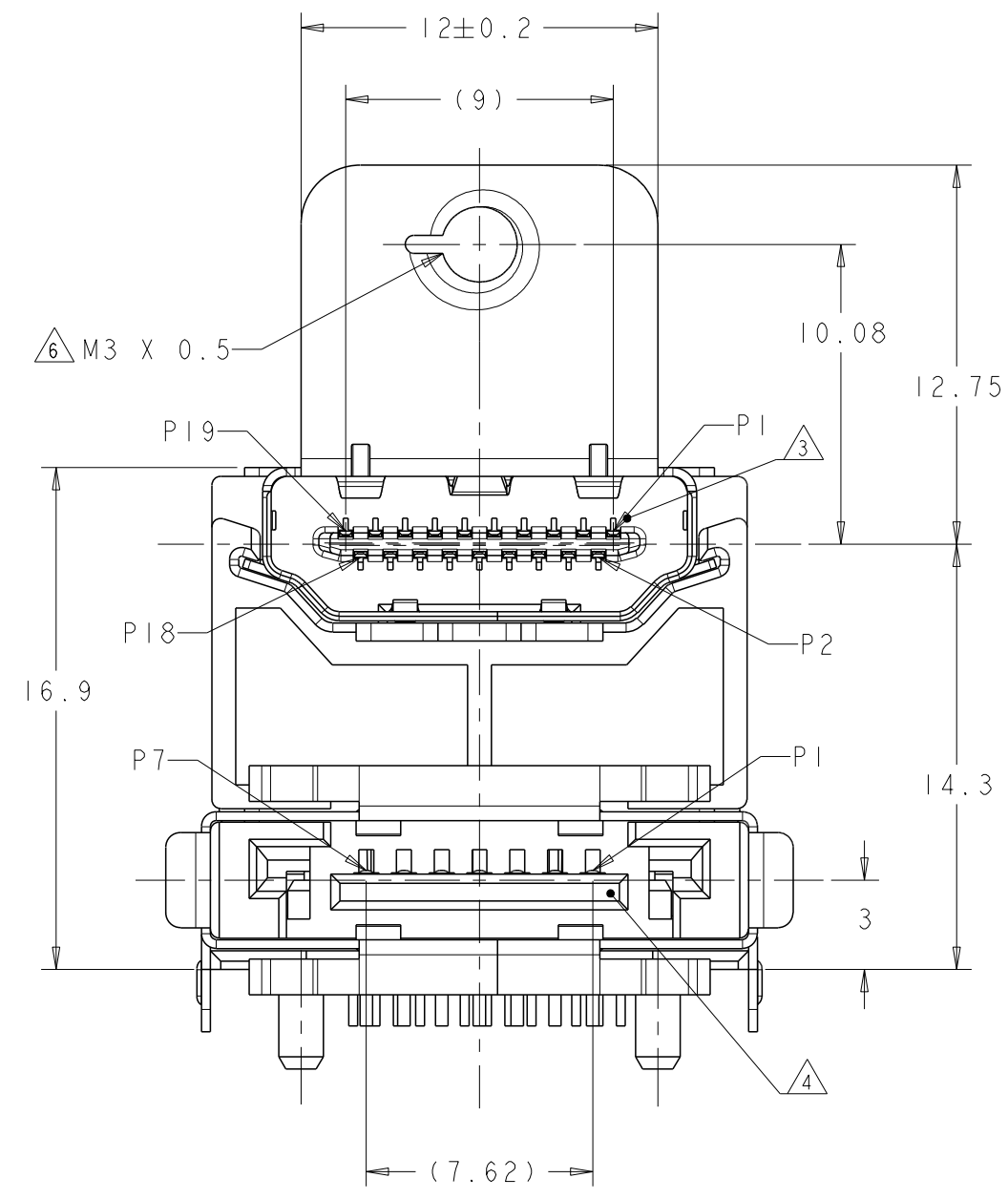
CONTACTS:

GOLD FLASH OVER
 PALLADIUM-NICKEL PLATE, 0.3µm MIN TOTAL ON THE MATING SURFACE,
 2µm MIN TIN PLATE ON THE SOLDER-TAIL,
 2µm MIN NICKEL UNDERPLATE ON THE ENTIRE CONTACT.
 OR
 0.3µm MIN GOLD PLATE ON THE MATING SURFACE,
 2µm MIN TIN PLATE ON THE SOLDER-TAIL,
 2µm MIN NICKEL UNDERPLATE ON THE ENTIRE CONTACT.

LOWER SHIELD:

0.75µm MIN TIN OVER
 0.8µm MIN NICKEL UNDERPLATE

- △ INTERFACE DIMENSIONS ARE PER HDMI SPECIFICATION VERSION 1.3a.
- △ INTERFACE DIMENSIONS ARE PER SERIAL ATA REVISION 2.5.
- 5. WAVE SOLDER COMPATIBLE PER 109-202, CONDITION B, NO CLEAN FLUX IS RECOMMENDED.
- △ APPLIED TORQUE MUST NOT EXCEED 4 kg-cm (3.47 in-lbs).

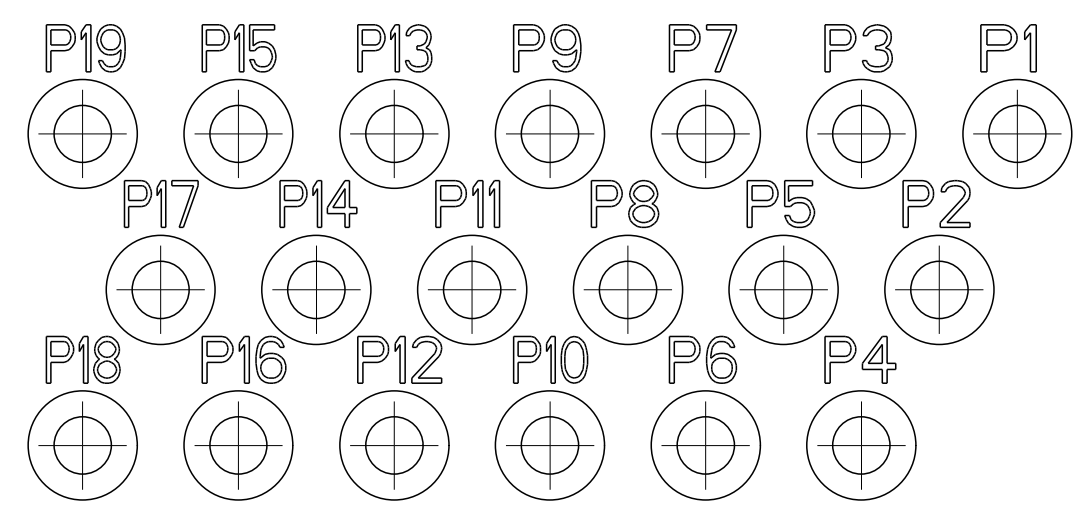


INSTALLED CONDITION
 SCALE 4:1

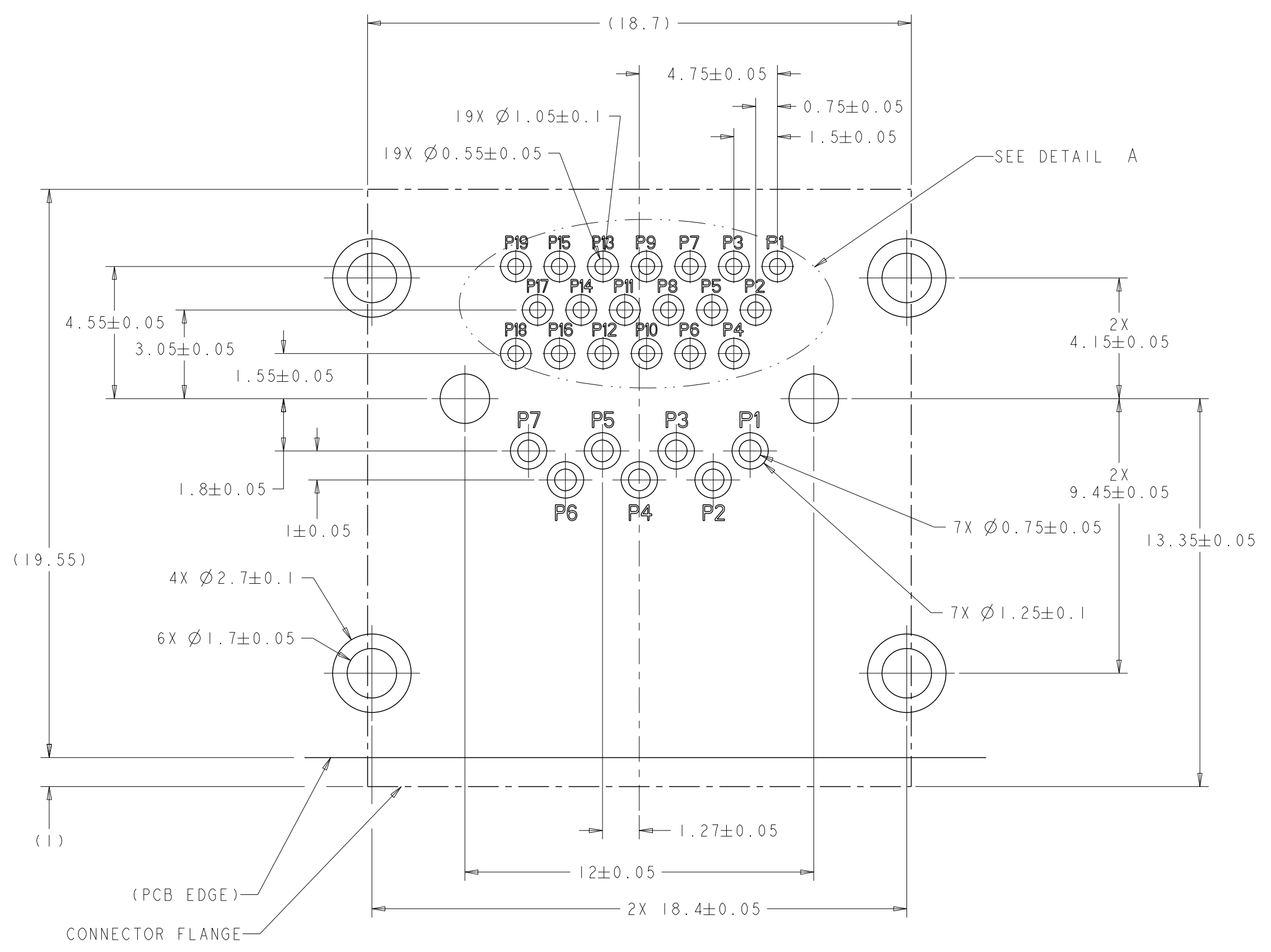
Ⓞ OBSOLETE 1888540-1
 PART NO

THIS DRAWING IS A CONTROLLED DOCUMENT.		OWN HAMNER	29JUN2006	TE Connectivity HDMI/E-SATA STACKED CONNECTOR ASSEMBLY		
DIMENSIONS:		CHK McCLELLAN	29JUN2006			
TOLERANCES UNLESS OTHERWISE SPECIFIED:		APVD McCLELLAN	29JUN2006			
mm		NAME McCLELLAN	PRODUCT SPEC			
0 PLC	±0.3	APPLICATION SPEC	SIZE	CAGE CODE	DRAWING NO	RESTRICTED TO
1 PLC	±0.3	WEIGHT	A1	00779	1888540	
2 PLC	±0.3	CUSTOMER DRAWING	SCALE	6:1	SHEET	1 OF 2
3 PLC	±0.3		REV	G		
4 PLC	±0.3					
ANGLES	±2°					
FINISH						

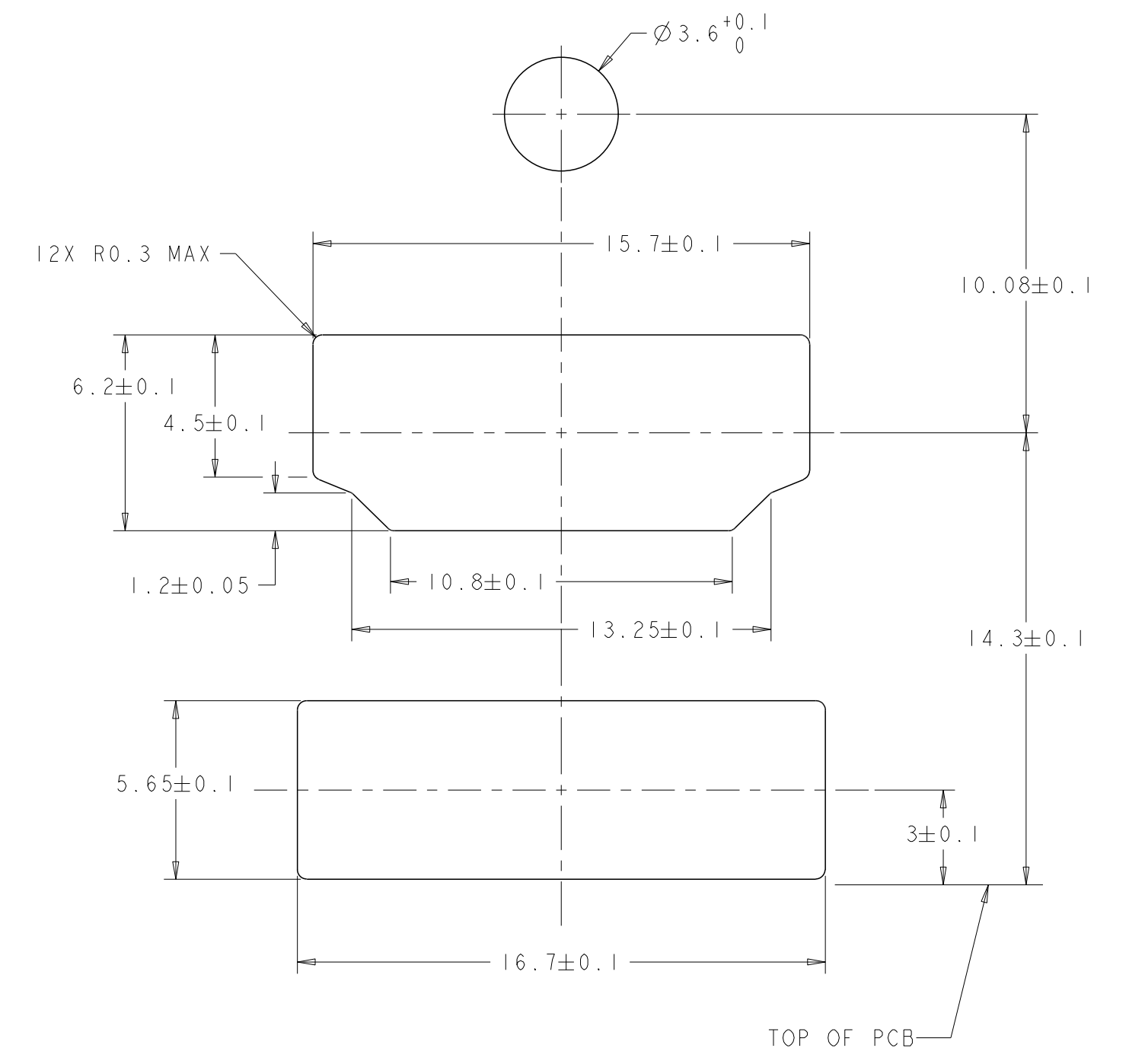
LOC	DIST	REVISIONS					
GP	00	P	LTR	DESCRIPTION	DATE	OWN	APVD
		-	-	SEE SHEET 1			



DETAIL A
SCALE 20:1



PCB LAYOUT
SHOWN FROM CONNECTOR SIDE
TOLERANCES ARE NON-CUMULATIVE
SCALE 10:1



RECOMMENDED PANEL CUTOUT
SCALE 8:1

THIS DRAWING IS A CONTROLLED DOCUMENT.		OWN: HAMNER	29JUN2006		TE Connectivity
DIMENSIONS: mm		CHK: McCLELLAN	29JUN2006		HDMI/E-SATA STACKED CONNECTOR ASSEMBLY
TOLERANCES UNLESS OTHERWISE SPECIFIED:		APVD: McCLELLAN	29JUN2006	NAME: PRODUCT SPEC	
0 PLC ±0.3		APPLICATION SPEC		SIZE: CASE CODE: DRAWING NO: RESTRICTED TO:	
1 PLC ±0.3		WEIGHT: A100779		©=1888540	
2 PLC ±0.3		CUSTOMER DRAWING		SCALE: 6:1 SHEET 2 OF 2 REV G	
3 PLC ±0.3					
4 PLC ±0.3					
ANGLES: ±2°					
MATERIAL:					
FINISH:					