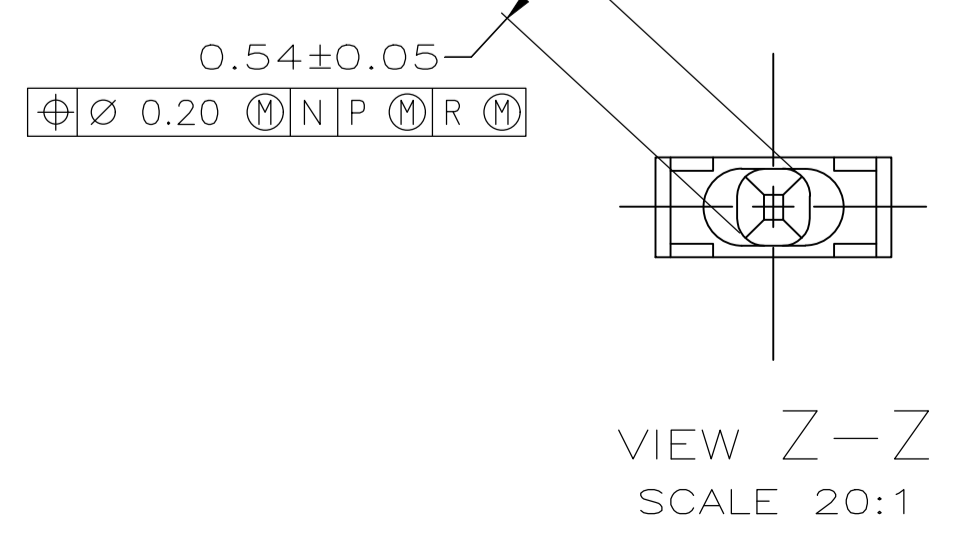
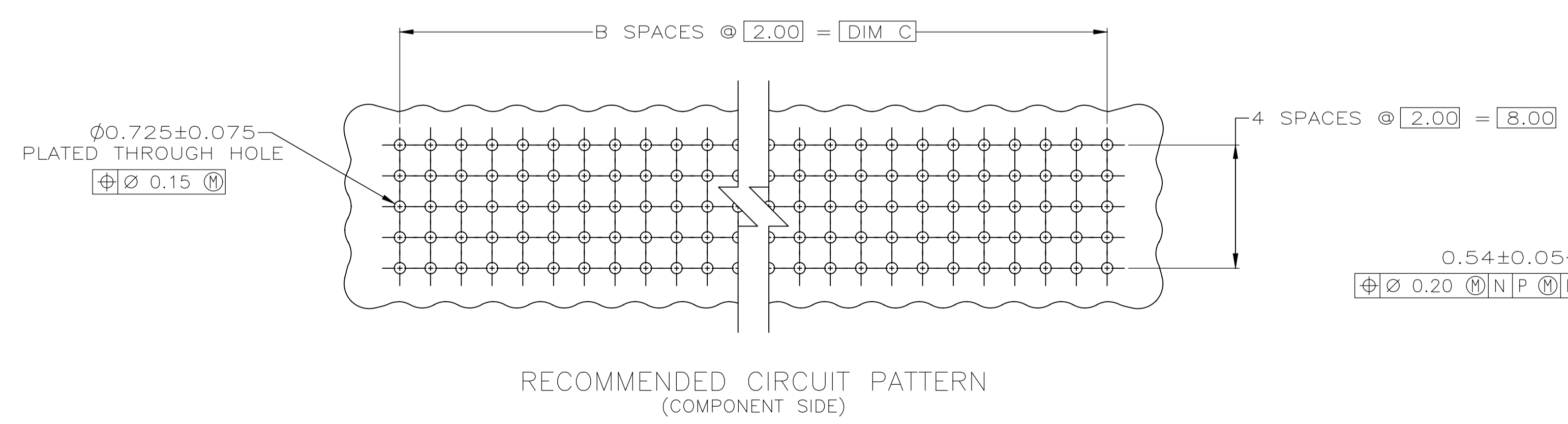
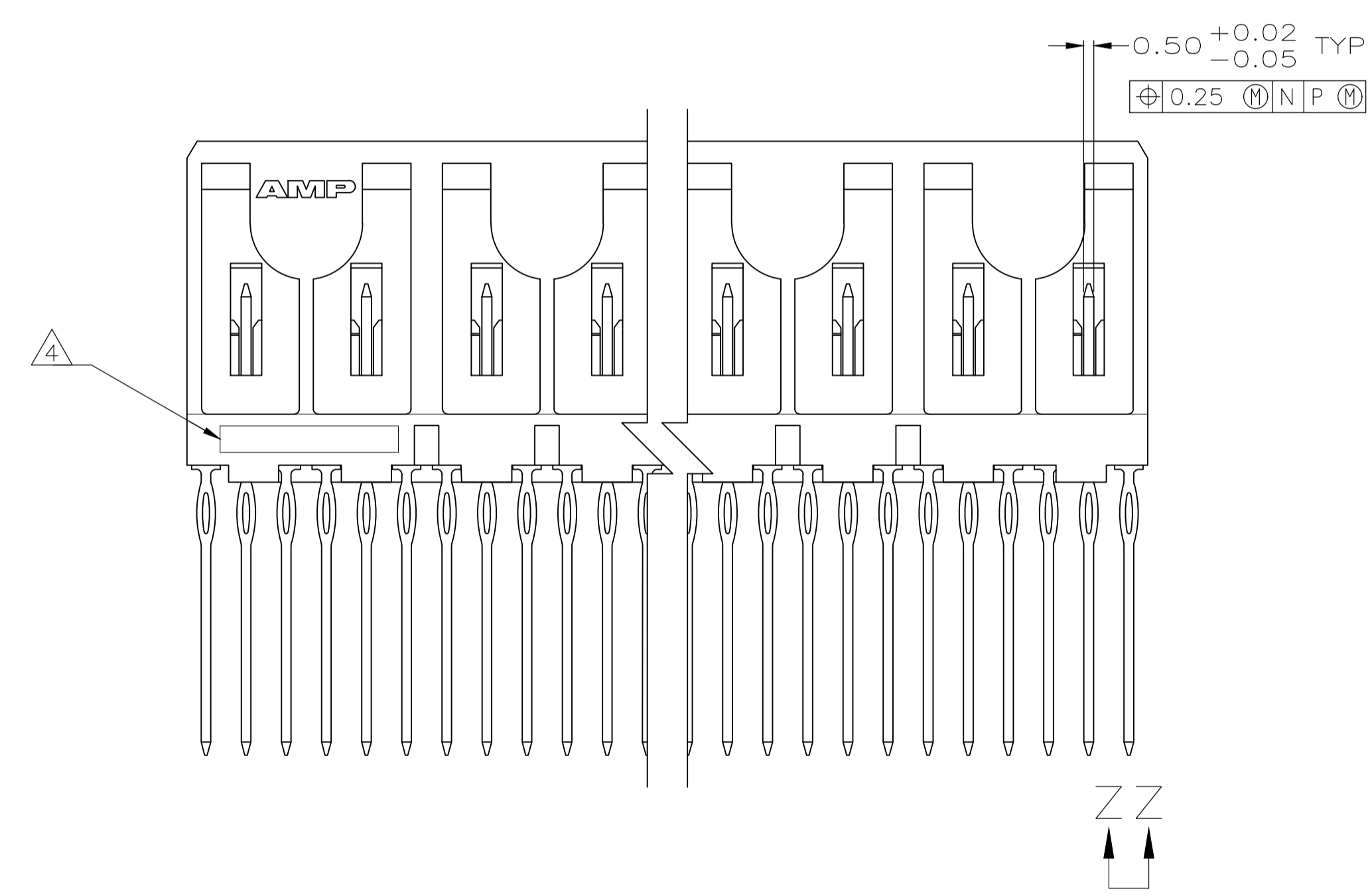
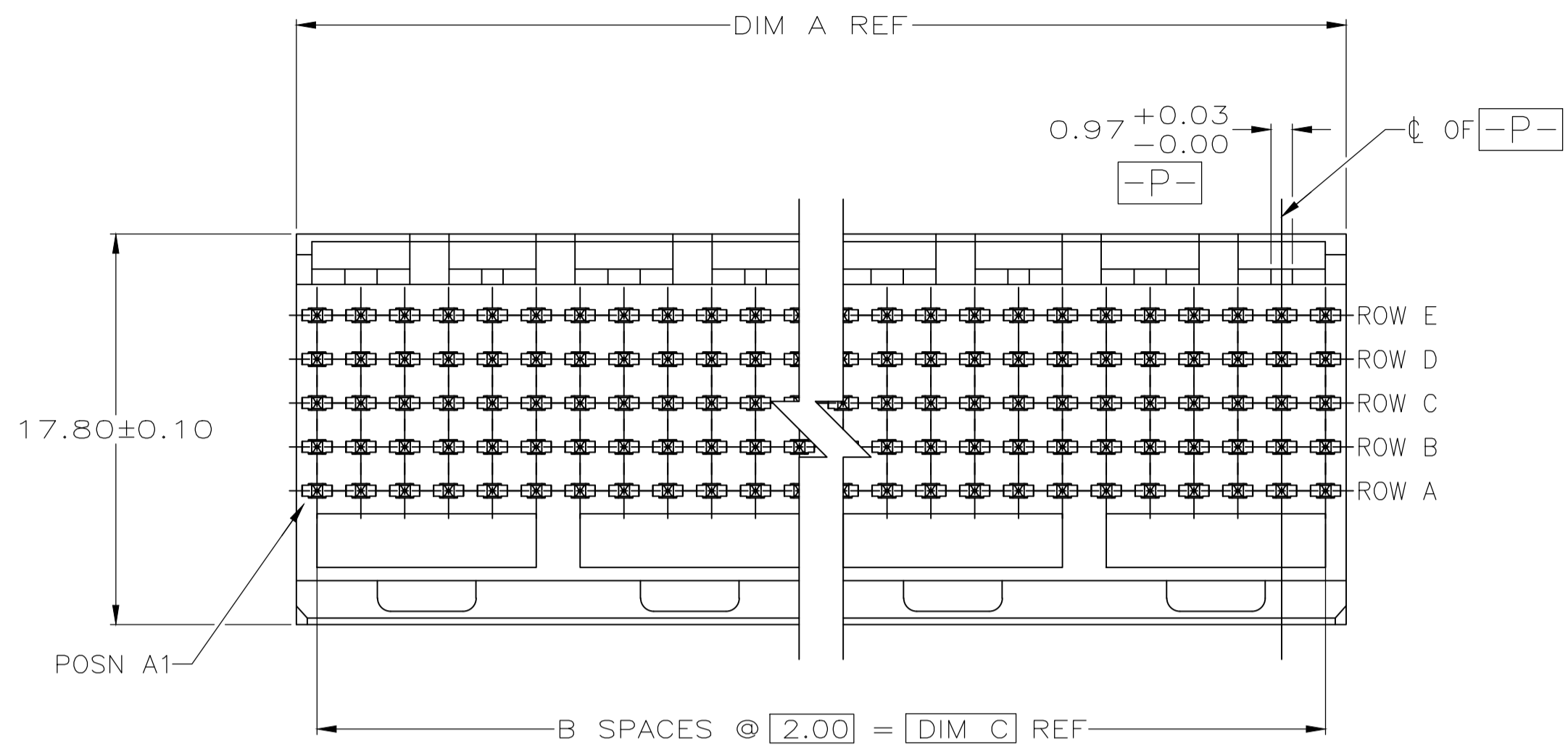
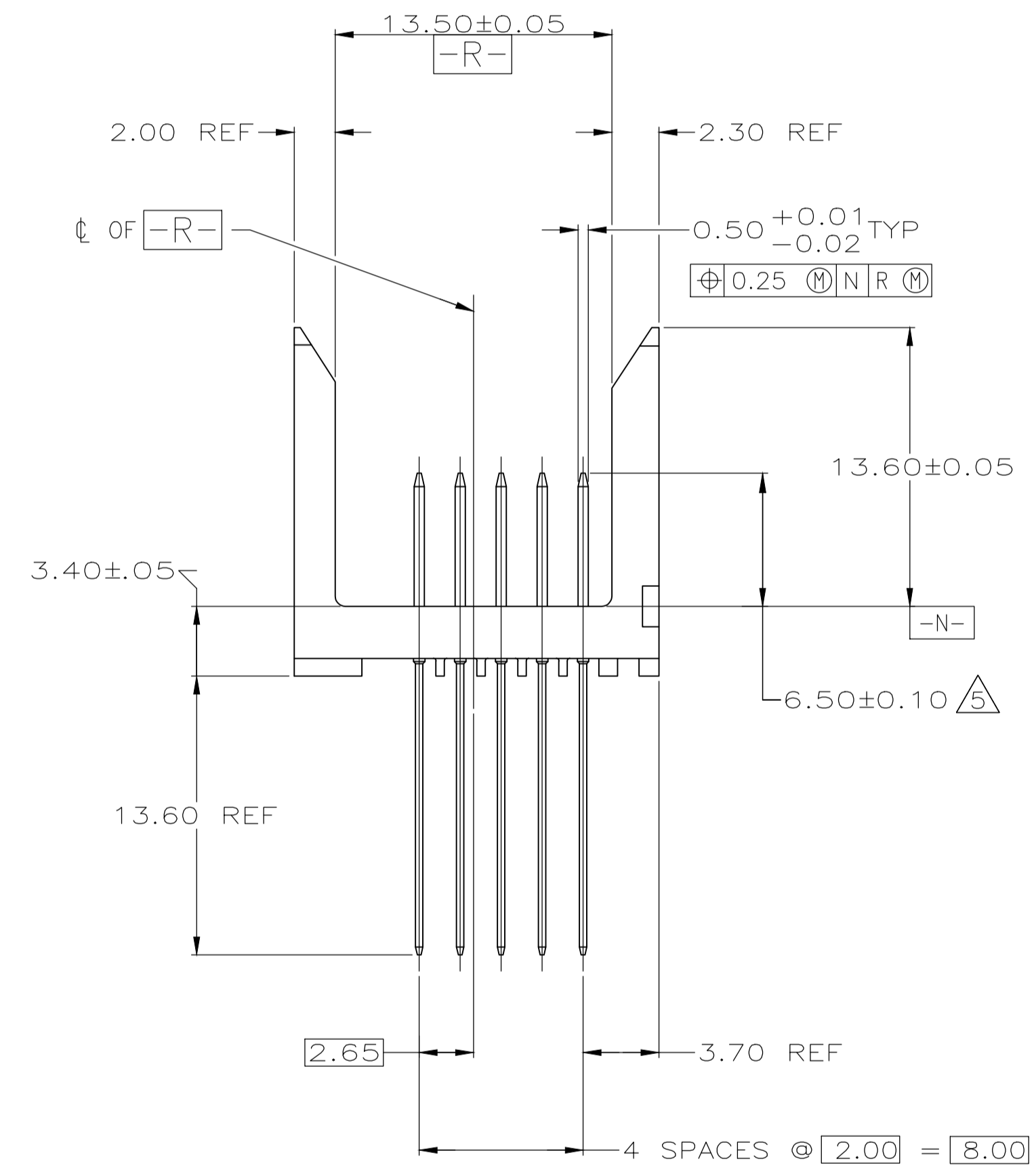


REVISIONS				
P	LTR	DESCRIPTION	DATE	DMN   APVO
B		REVISED PER ECO-20-013368	23SEP2020	RZ   HL



- △ HOUSING MATERIAL: LIQUID CRYSTAL POLYMER. COLOR: NATURAL.
- △ CONTACT MATERIAL: PHOSPHOR BRONZE.
- △ CONTACT FINISH:(B)  
 UNDERPLATE (ENTIRE CONTACT):  
 0.00127 MIN NICKEL PER SAE-AMS-QQ-N-290  
 ON MATING SURFACES:  
 CONFORMS TO ALL TESTING SPECIFIED FOR TELCORDIA  
 UNCONTROLLED ENVIRONMENT.  
 ON LEADS:  
 0.0006 MIN MATTE TIN PER ASTM B 545 OVER UNDERPLATE.  
 LUBRICATION (MIN MATING SURFACES):  
 SURFACE CONDITIONER AFTER PLATING.
- △ PART MARKING LOCATED APPROXIMATELY AS SHOWN.
- △ DIMENSION APPLIES WHEN SEATED ON PRINTED CIRCUIT BOARD.



	DIM C	DIM B	DIM A	NUMBER OF SIGNAL POSITIONS	PART NUMBER
	94.00	47	95.88	240	5223055-8
OBSOLETE	46.00	23	47.88	120	<del>5223055-4</del>
	22.00	11	23.88	60	5223055-2
OBSOLETE	10.00	5	11.88	30	<del>5223055-1</del>

THIS DRAWING IS A CONTROLLED DOCUMENT.		DIN B MCMMASTER 24NOV04		STE TE Connectivity	
DIMENSIONS: mm		CIR R WERTZ 24NOV04		NAME	
TOLERANCES UNLESS OTHERWISE SPECIFIED:		APVO R WERTZ 24NOV04		PRODUCT SPEC	
0. PLC ± -		APPLICATION SPEC		SIZE CAGE CODE DRAWING NO	
1. PLC ± -		WEIGHT 0.000000		A1 00779 C=5223055	
2. PLC ± -		CUSTOMER DRAWING		SCALE 4:1 SHEET 1 OF 1 REV B	
3. PLC ± -					
4. PLC ANGLES ± -					
FINISH					