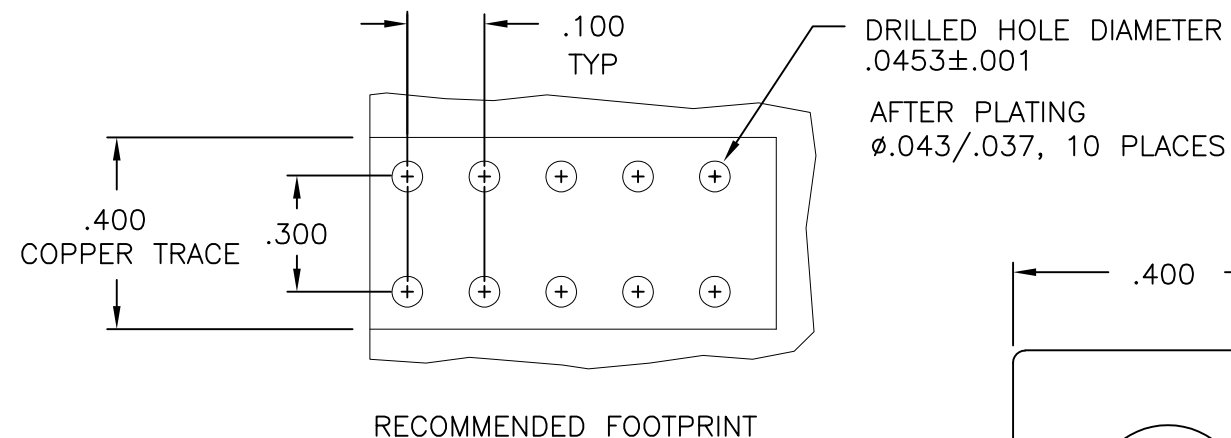
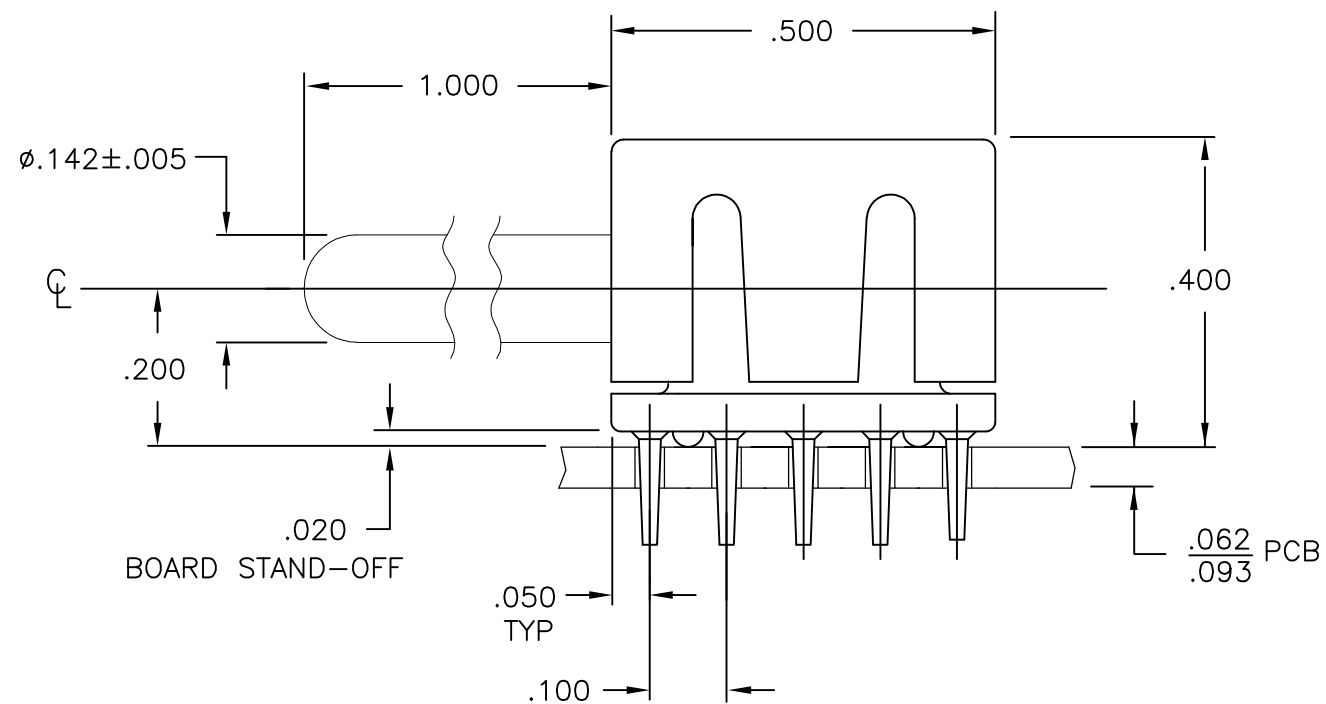
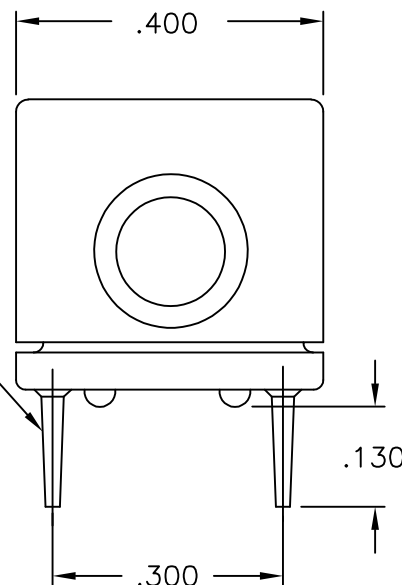


THIS DRAWING IS UNPUBLISHED. RELEASED FOR PUBLICATION
 © COPYRIGHT BY TYCO ELECTRONICS CORPORATION. ALL RIGHTS RESERVED.

LOC	DIST	REVISIONS					
GP	00	P	LTR	DESCRIPTION	DATE	DWN	APVD
		B		REV PER ECO-10-020184	11JAN2011	RG	NE



SOLDER POST
10 PLACES



- PART NUMBER CHANGES AND/OR DESIGN CHANGES AFFECTING ITEM INTERCHANGEABILITY REQUIRE PRIOR TYCO APPROVAL AND AUTHORIZATION BY REVISION TO THIS DRAWING.
- ITEMS PROVIDED TO THIS SPECIFICATION SHALL BE IDENTIFIED ON CONTAINER WITH THE FOLLOWING INFORMATION: PART NUMBER & DATE CODE OF MFR.
- MATERIALS: INSULATOR - POLYESTER, GLASS FILLED UL 94 V-0 RATED OR EQUIV.
 MODULE - ZINC/ALUM CASTING
 CROWN - BERYLLIUM COPPER
 CONTACT - BRASS ALLOY
- FINISH: INSULATOR - COLOR BLACK.
 MODULE - SILVER PLATED .000200 MIN THK. OVER NICKEL .000040 MIN THK.
 CROWN - GOLD PLATED .000030 MIN THK. OVER NICKEL .000040 MIN THK.
 CONTACT - SILVER PLATED .000200 MIN THK. OVER NICKEL .000040 MIN THK.
- REFERENCE ELCON PART NO. 269-52-00500.

AS SHOWN	6643433-1
DESCRIPTION	PART NUMBER

THIS DRAWING IS A CONTROLLED DOCUMENT.		DWN R.GRZYBOWSKI 15JUN2006	Tyco Electronics Corporation Harrisburg, PA 17105-3608	
DIMENSIONS: INCHES		CHK S.FLICKINGER 15JUN06	NAME S.FLICKINGER	
TOLERANCES UNLESS OTHERWISE SPECIFIED:		APVD S.FLICKINGER	PRODUCT SPEC	
0 PLC ± -		APPLICATION SPEC		
1 PLC ± -		SIZE A3		
2 PLC ± .02		CAGE CODE 00779		
3 PLC ± .010		DRAWING NO C-6643433		
4 PLC ± -		RESTRICTED TO		
ANGLES ± .5		SCALE 1:1		
MATERIAL -		SHEET 1 OF 1		
FINISH -		REV B		
		CUSTOMER DRAWING		

ELCON ICICON