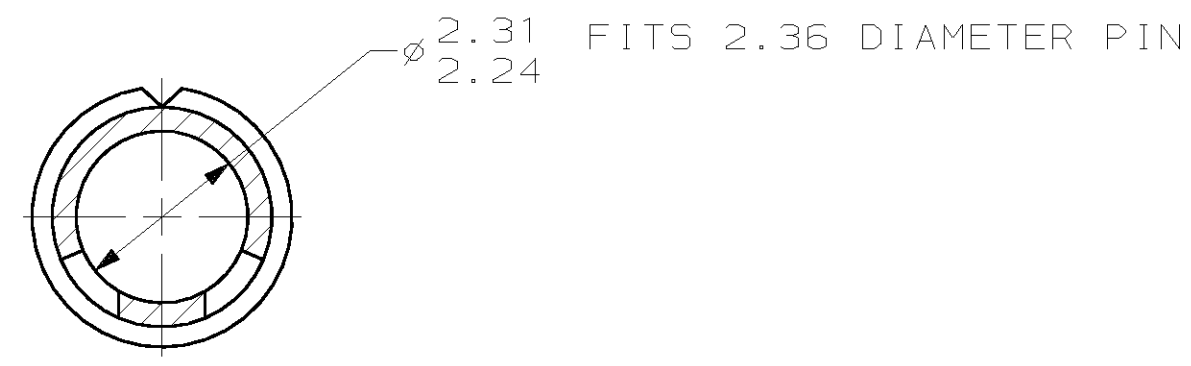
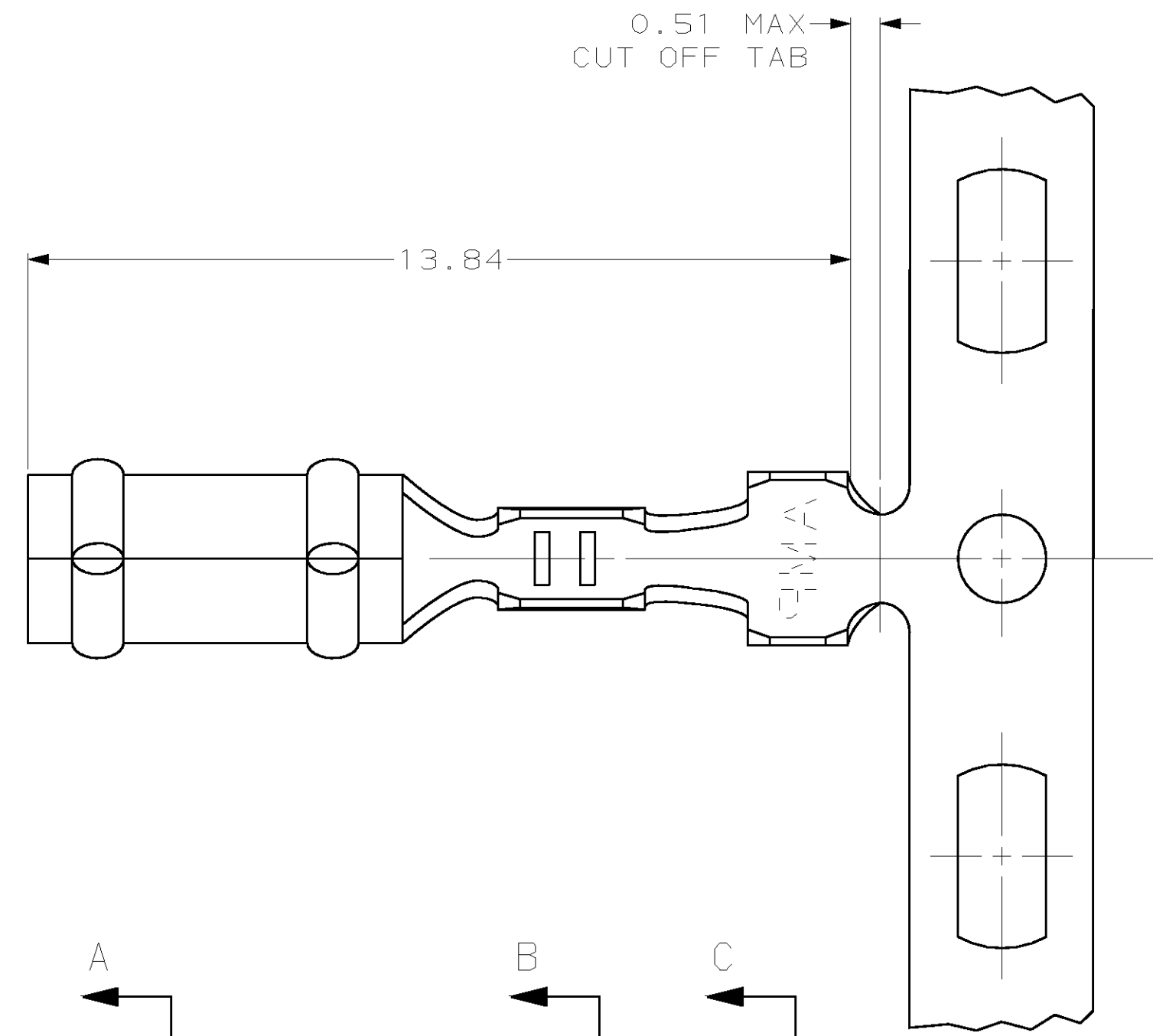


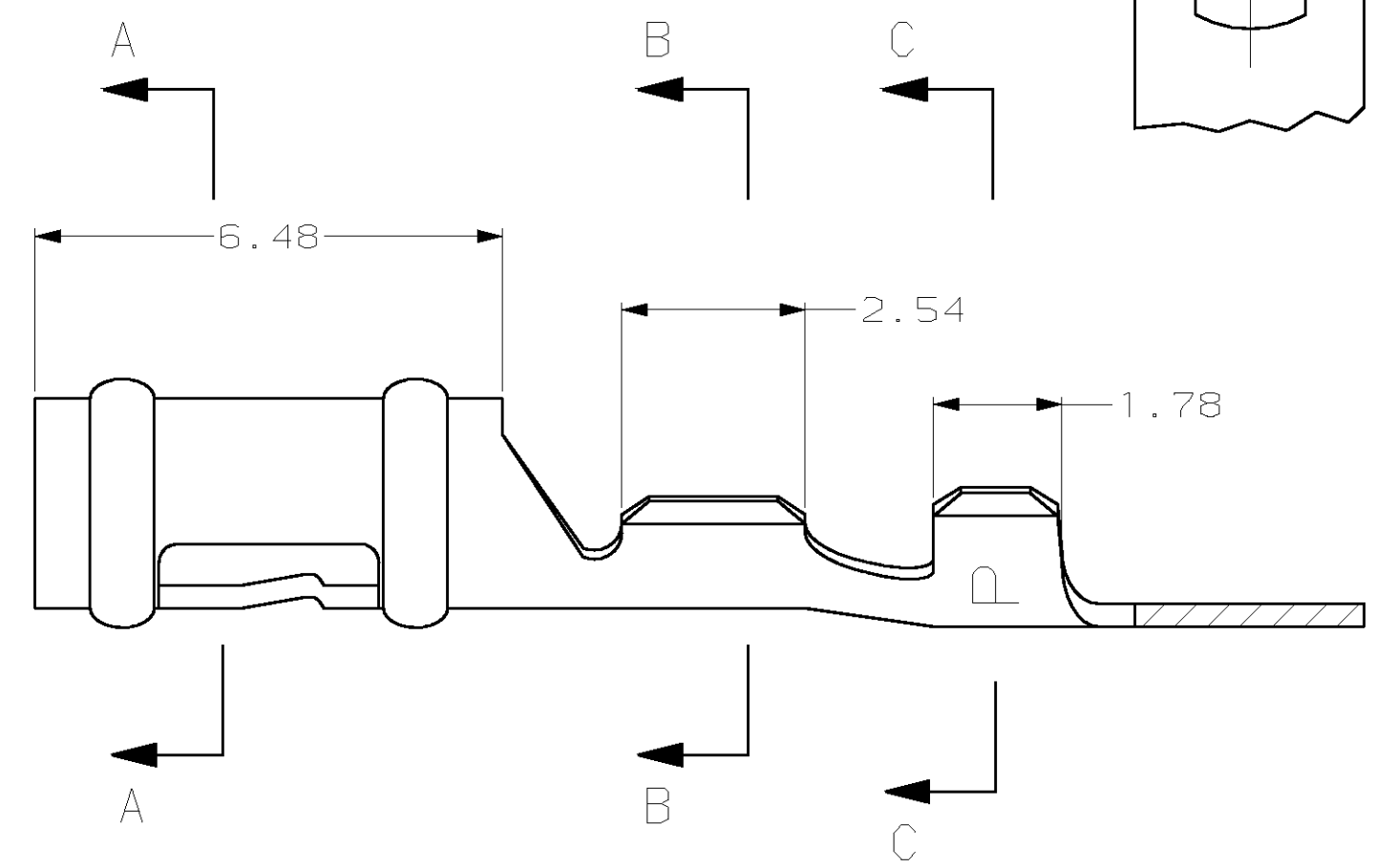
THIS DRAWING IS UNPUBLISHED. RELEASED FOR PUBLICATION .19
 (C) COPYRIGHT 19 BY AMP INCORPORATED. ALL RIGHTS RESERVED.

LOC		DIST		REVISIONS			
P	LTR	DESCRIPTION	DATE	DWN	APVD		
CM	52	F	REVIS PER EC 061B-0065-99	17-JUN-99	KW	JE	

1. WIRE RANGE: 0.08 - 0.15 MM² (28 - 26 AWG)
2. INSULATION RANGE: 0.81 - 1.45



SECTION A-A



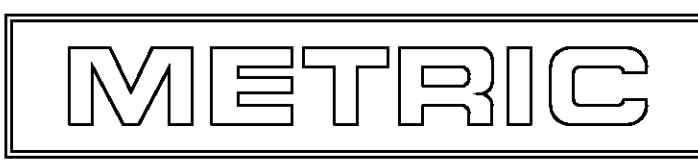
SECTION B-B

SECTION C-C

MINI APPLICATOR	350221-1 PART NUMBER
-----------------	----------------------

MM	IN	MM	IN	MM	IN	MM	IN
1.45	.057	1.96	.077	2.79	.110	-	-
0.81	.032	1.93	.076	2.54	.100	-	-
0.51	.020	1.78	.070	2.36	.093	13.84	.545
0.32	.013	1.57	.062	2.31	.091	6.48	.255
0.13	.005	1.55	.061	2.24	.088	3.18	.125
MM	IN	MM	IN	MM	IN	MM	IN

CONVERSION TABLE



THIS DRAWING IS A CONTROLLED DOCUMENT.		DWN	T. BECK	6-16-97	AMP Incorporated Harrisburg, PA 17105-3608
DIMENSIONS: mm		CHK	R. SWING	6-16-97	
TOLERANCES UNLESS OTHERWISE SPECIFIED:		APVD	A. BEDDICK	8-22-97	
0 PLC ±- 1 PLC ±- 2 PLC ±0.13 3 PLC ±- 4 PLC ANGLES ±-		PRODUCT SPEC	108-1025	NAME	
MATERIAL	0.32 PH BRZ	FINISH	PRE TIN	WEIGHT	-
CUSTOMER DRAWING		SCALE	10:1	SHEET	1 OF 1

350221