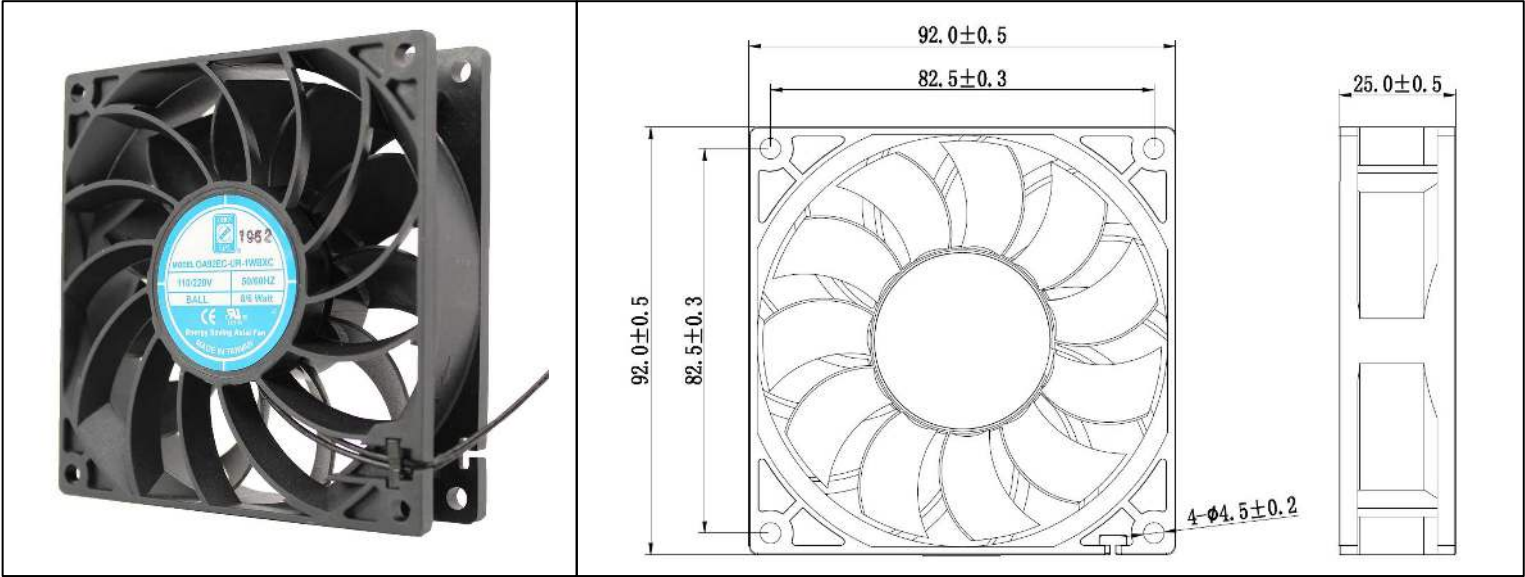


OA92EC XC Series



EC Fan Universal Voltage
92mm x 25mm (3.62" x 0.98")



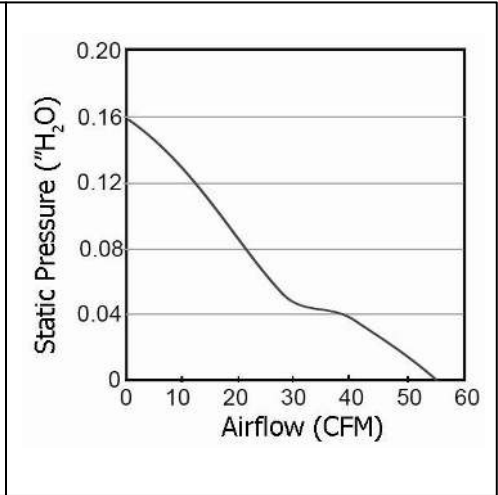
Frame	PBT, UL94 V-0 Plastic
Impeller	PBT, UL94 V-0 Plastic
Connection	2x Wire Leads
Motor	Electronically Commutated, Auto Cutoff, Auto Restart, Electronically Protected
Bearing System	Ball Bearings
Dielectric Strength	500VAC/min, <1mA
Insulation Resistance	≥10MΩ @ 500 VDC

Operating Temperature
-10°C ~ +70°C

Storage Temperature
-40°C ~ +75°C

Life Expectancy
70,000 Hours (L10 at 40°C)

Weight: 0.22 lbs.



Part Number	OA92EC-UR-1WBXC
Rated Voltage (Volts AC)	115 / 230
Voltage Range (Volts AC)	85 ~ 265
Frequency (Hertz)	50 / 60
Rated Input (Watts)	8 ~ 6 Max (4.0 Typical)
Rated Speed (RPM)	2600
Max Airflow (CFM)	56
Noise Level (dBA)	35
Max Static Pressure (" H ₂ O)	0.16