

5

4

3

2

1

G

G

F

F

E

E

D

D

C

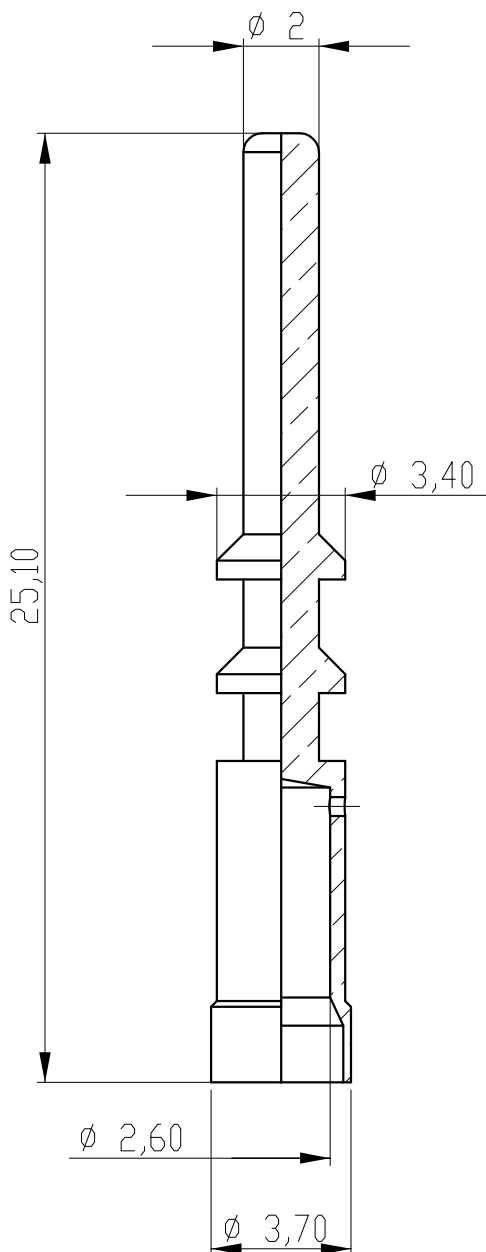
C

B

B

A

A



Notes:

Packaging units: 25 pcs

Tolerances (unless specified): DIN ISO 2768 m

Bemerkungen:

Verpackungseinheit: 25 Stück

Toleranzen (sofern nichts anderes angegeben ist):  
DIN ISO 2768 m

DESCRIPTION EC NO: WEU2008-0019 DRWN: BBRAUCH 2008/05/15 CHKD: LS 2008/05/26 APPR: REISSNER 2008/05/27	QUALITY SYMBOLS	GENERAL TOLERANCES (UNLESS SPECIFIED)		DIMENSION STYLE		SCALE	DESIGN UNITS	FIRST ANGLE PROJECTION
	▼ = 0 ▽ = 0	mm	INCH	MM		5:1	METRIC	
	4 PLACES	±----	±----	DRAWN BY	DATE	<b>M23 PWR CONT2.0 MALE</b> <b>2.5 - 4.0</b> <b>P/N: KCP06-20</b>		
	3 PLACES	±----	±----	BB	2008/05/15			
	2 PLACES	±----	±----	CHECKED BY	DATE	<b>MOLEX INCORPORATED</b>		
1 PLACE	±----	±----	---	---				
	ANGULAR ± --- °			APPROVED BY	DATE	MATERIAL NO. 1202350022 DOCUMENT NO. SD-120235-022 SHEET NO. 1 OF 1		
				RE	2008/05/26			
	DRAFT WHERE APPLICABLE MUST REMAIN WITHIN DIMENSIONS			SIZE	THIS DRAWING CONTAINS INFORMATION THAT IS PROPRIETARY TO MOLEX INCORPORATED AND SHOULD NOT BE USED WITHOUT WRITTEN PERMISSION			
01	REV			A4				

5

4

3

2

1