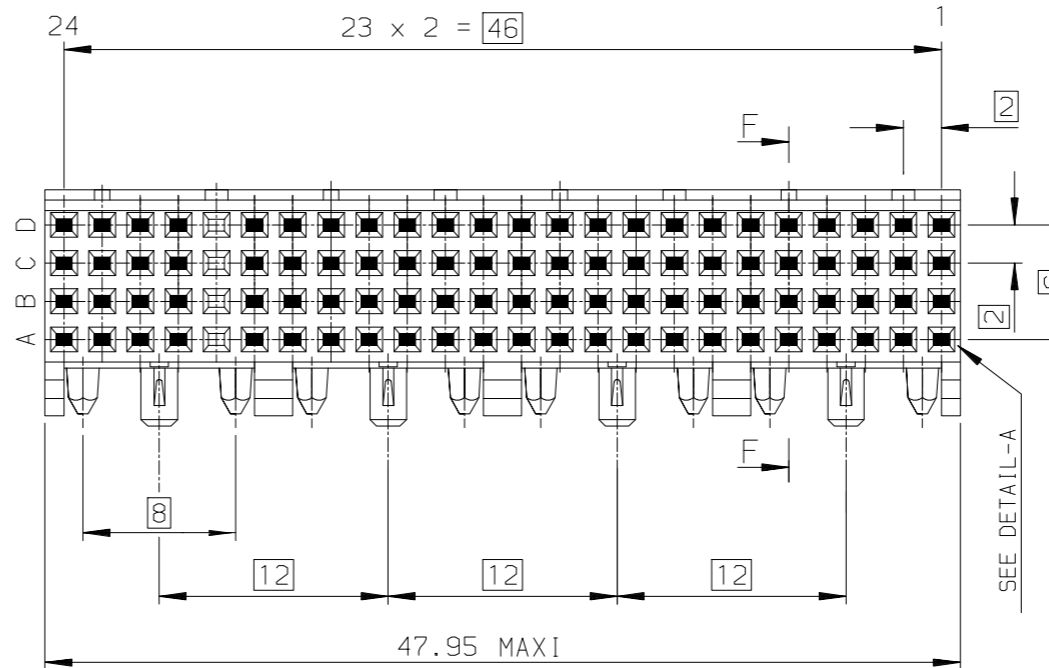
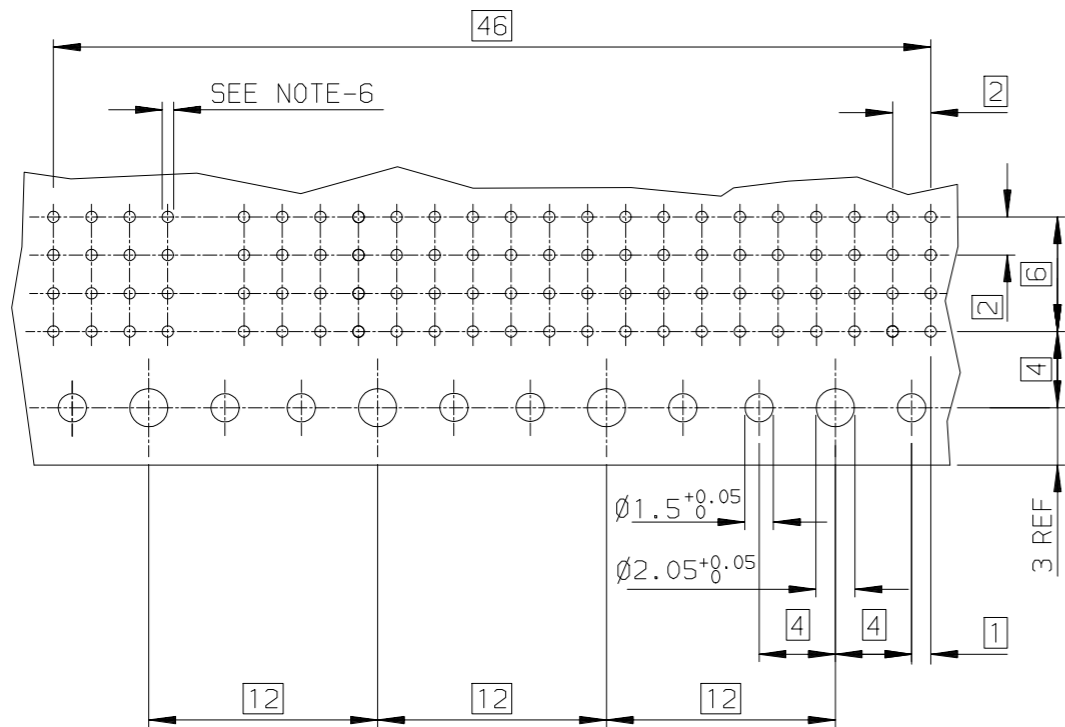


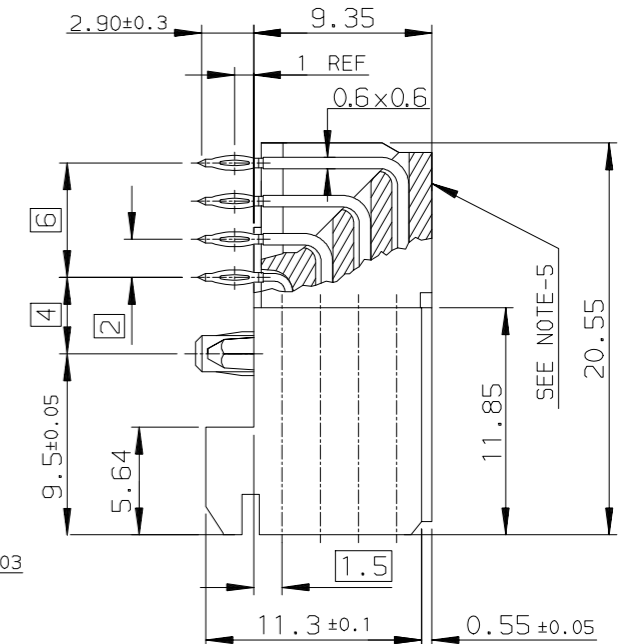
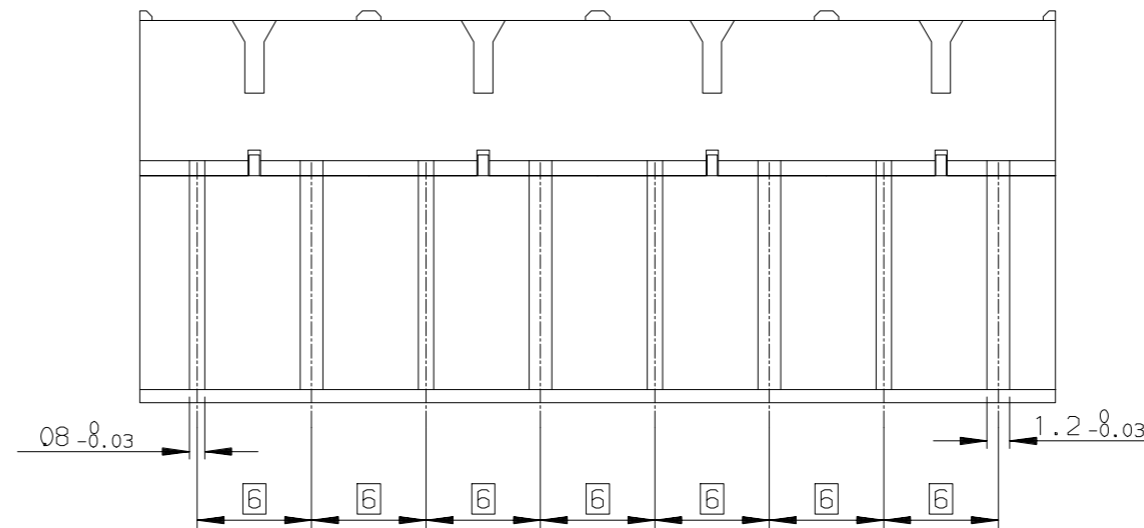
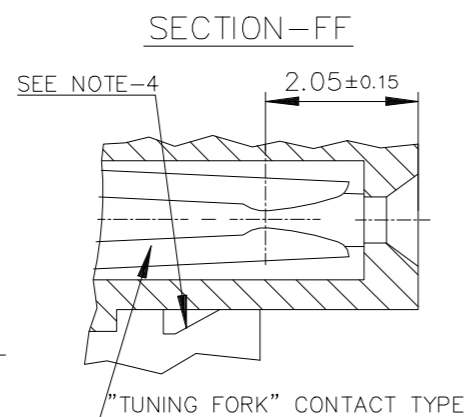
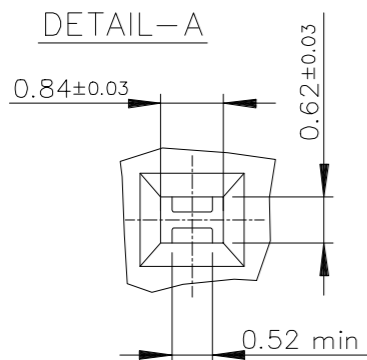
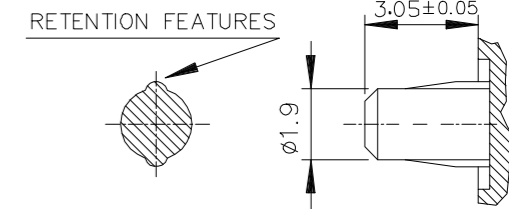
LAYOUT FOR P.C.B

GENERAL CHARACTERISTICS AND ROHS INFORMATIONS:

See PRODUCT SPECIFICATION: GS-12-447



DETAIL OF PRESS-IN PEGS



NOTES:

- MATERIAL : BODY : LCP UL94-V0
: CONTACT : COPPER ALLOY.
- FOR PLATING PERFORMANCE REFER DRAWING # 10159409
- CONNECTORS WITH PCB 2.4mm ARE COMPATIBLE WITH WIDE AND NARROW BODIES.
- PLUG FOR CODING KEY FIXING.
- FLAT ROCK INSERTION TOOLING IN PCB, SEE DRW REF : C-8626-1003.
- METALIZED HOLE DEFINITION , SEE GS-12-447.
- STANDARD PACKAGING IS IN TUBE , IF SUFFIX "P" IS ADDED IN P/N PACKAGING IS IN TRAYS
BUT CONNECTOR MARKING IS WITHOUT "P". EXAMPLE : HM1FXXXXXXXXHxPLF, MARKED HM1FXXXXXXXXHxPLF
- THIS PRODUCT MEETS EUROPEAN UNION DIRECTIVES AND OTHER
COUNTRY REGULATIONS AS DESCRIBED IN GS-47- 0004
- A△ SYMBOL WILL BE NEXT TO ANY DIMENSION, VIEW, OR NOTE
WHICH HAS BEEN MODIFIED WITH THE CURRENT DRAWING REVISION.

SPECIFIC DATAS
EMPTY CAVITIES

- A: 20
- B: 20
- C: 20
- D: 20

PART NUMBER :HM1F43FDP270HxPLF

mat'l. code				surface ISO 1302		tolerance ISO 406 ISO 1101		projection		product family METRAL	
ltr				ecn no		dr		date		title	
C	L06-0095	LGO	2006-07-14	D		L06-0159	MLE	2006-10-31	METRAL FEMALE 4 ROWS 92 CTS		
angles				linear		tolerances unless otherwise specified		MM		RIGHT ANGLE PRESS-FIT / PRESS-IN PEG	
E	L07-0266	MLE	2007-11-08	F		ELX-I-38935	MINI	2020-11-12	scale -		dwg no
0°±2°				G		ELX-I-42905	NIRMAL	2021-11-12	Amphenol FCI		sheet 1 of 1
dr				engr		chr		appd		size	
ETIEMBRE				NIRMAL SAM		ALEX BABU		SANJOJ P K		A3	
1998-05-06				2021-11-12		2021-11-12		2021-11-12		type	
Product				Customer		Drawing		C-8626-0900		5	
sheet index				revision sheet		G		1		D	