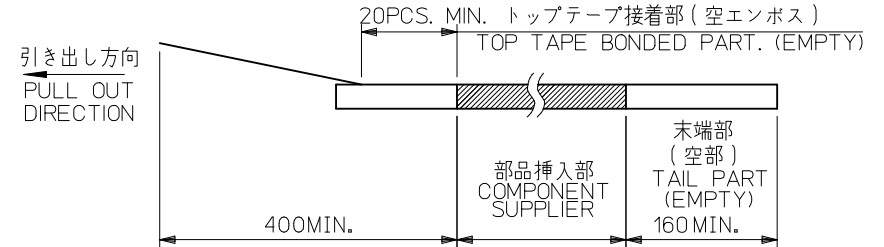
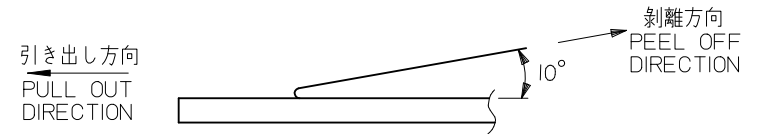


注記 NOTES

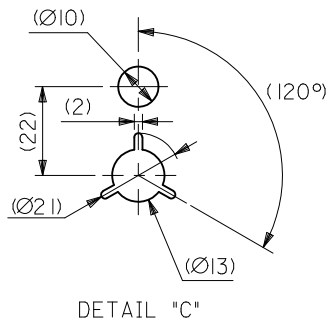
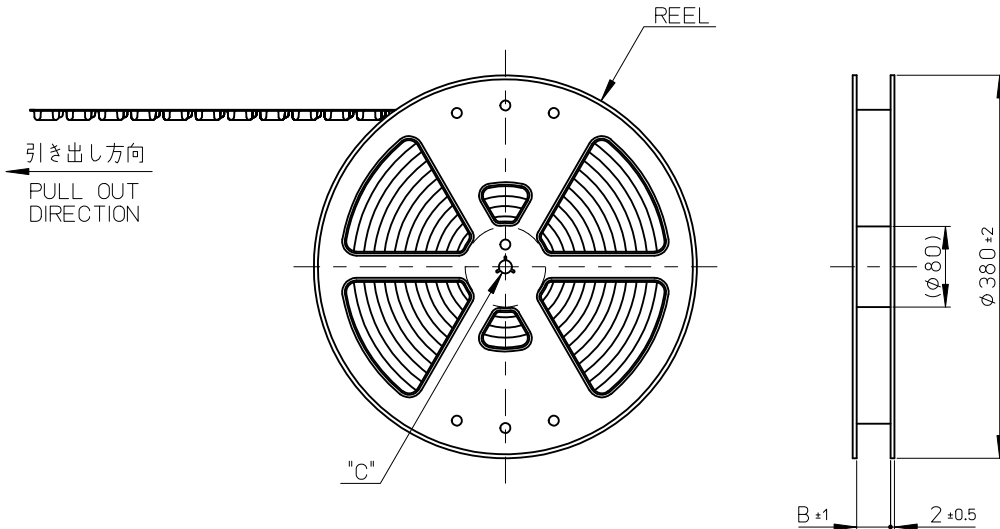
- 製品詳細寸法については製品単体図面を参照下さい。
RE DETAILED DIMENSION, SEE PRODUCT DRAWING.
- 梱包数量: 3000 個/リール
NUMBER OF CONNECTORS : 3000PCS/REEL
- リードテープ長さ LEAD TAPE LENGTH



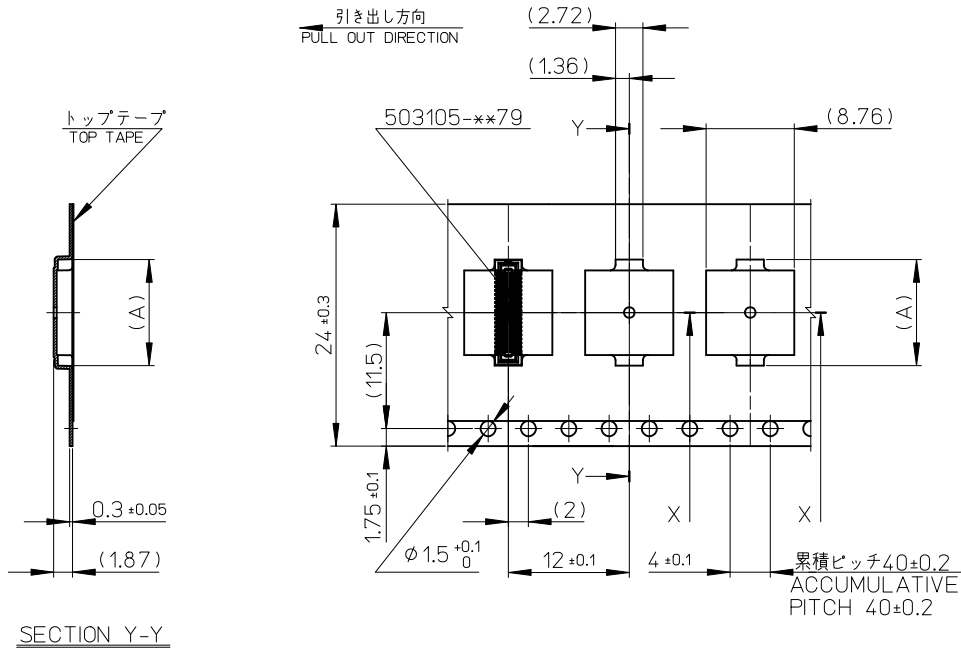
- トップテープの剥離強度: 0.1N~1.3N(10gf~130gf)
(剥離方向は下図参照)
尚、本規格値は出荷時に適用。(但し、輸送時に剥離が発生しないこと。)
PEELING OFF FORCE OF TOP TAPE : 0.1N~1.3N(10gf~130gf)
(PEELING DIRECTION AS SHOWN IN FOLLOWING FIG.)
THIS REQUIREMENT SHOULD BE APPLIED AT SHIPMENT.
PEEL OFF SHOULD NOT BE ALLOWED, DURING TRANSPORTION.



- 材料 MATERIAL
キャリアテープ (CARRIER TAPE): ポリスチレン (POLYSTYRENE)
トップテープ (TOP TAPE): PET, PE, PEF
リール (REEL): ポリスチレン (PS) <リサイクル材を含む>
POLYSTYRENE (PS) <RECYCLE MATERIAL CONTAINED>
- ELV 及び RoHS適合品
ELV AND RoHS COMPLIANT



REVISED EC NO: J2012-0687 DRWN:MYOSHIDA 2011/11/25 CHKD:TASAKAWA 2011/11/25 APPR:MSASAO 2011/11/30	DESCRIPTION GENERAL TOLERANCES (UNLESS SPECIFIED)	10 UNDER	±---	DIMENSION STYLE	SCALE	DESIGN UNITS	MODEL NO.	503105-**-70	
		10 OVER 30 UNDER	±---	MM ONLY	METRIC	THIRD ANGLE PROJECTION			
		30 OVER	±---	DRAWN BY	DATE	TITLE	0.4 B-T0-B CONN. HGT=1.5 REC ASSY EMBSTP PKG CHECKER TYPE		
		ANGULAR	±---°	TTANIGUCHI	012009/01/27		MOLEX INCORPORATED		
	DRAFT WHERE APPLICABLE MUST REMAIN WITHIN DIMENSIONS			CHECKED BY	DATE				
				THIRATA	2009/01/27				
				APPROVED BY	DATE				
				MSASAO	2009/01/27				
				MATERIAL NO.	SEE CHART	DOCUMENT NO.	SD-503105-004	SHEET NO.	
				SIZE	A3	THIS DRAWING CONTAINS INFORMATION THAT IS PROPRIETARY TO MOLEX INCORPORATED AND SHOULD NOT BE USED WITHOUT WRITTEN PERMISSION			



24mm 幅キャリアテープ
24mm WIDTH CARRIER TAPE

24	25.5	12.52	503105-5070	50
		11.32	503105-4470	44
		10.52	503105-4070	40
キャリアテープ幅 CARRIER TAPE WIDTH	B	(A)	MATERIAL No.	CKT.
			MODEL No.	503105-**70

RELEASED EC NO: J2012-0687 DRWN: MYOSHIDA 2011/11/25 CHKD: TASAKAWA 2011/11/25 APPR: MSASAO 2011/11/30	DESCRIPTION REV: A	GENERAL TOLERANCES (UNLESS SPECIFIED)	DIMENSION STYLE MM ONLY	SCALE	DESIGN UNITS METRIC	THIRD ANGLE PROJECTION	
		10 UNDER ± --- 10 OVER 30 UNDER ± --- 30 OVER ± --- ANGULAR ± --- ° DRAFT WHERE APPLICABLE MUST REMAIN WITHIN DIMENSIONS	DRAWN BY TTANIGUCHI	DATE 2009/01/27	TITLE 0.4 B-T0-B CONN. HGT=1.5 REC ASSY EMBSTP PKG CHECKER TYPE		
		APPROVED BY MSASAO	DATE 2009/01/27	MOLEX INCORPORATED			
		MATERIAL NO. SEE CHART	DOCUMENT NO. SD-503105-004	SHEET NO. 2 OF 2			