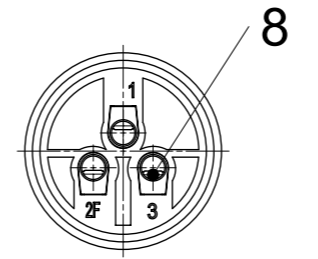
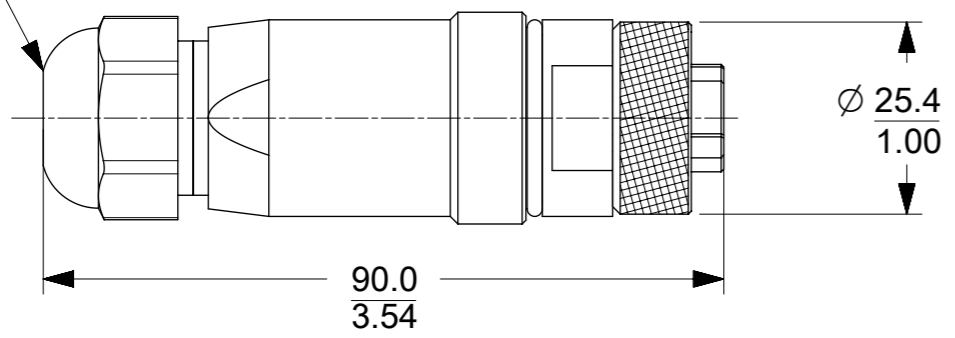
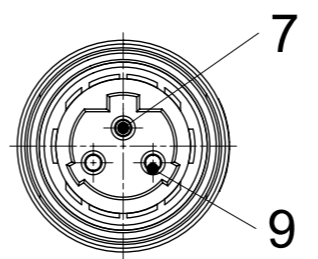
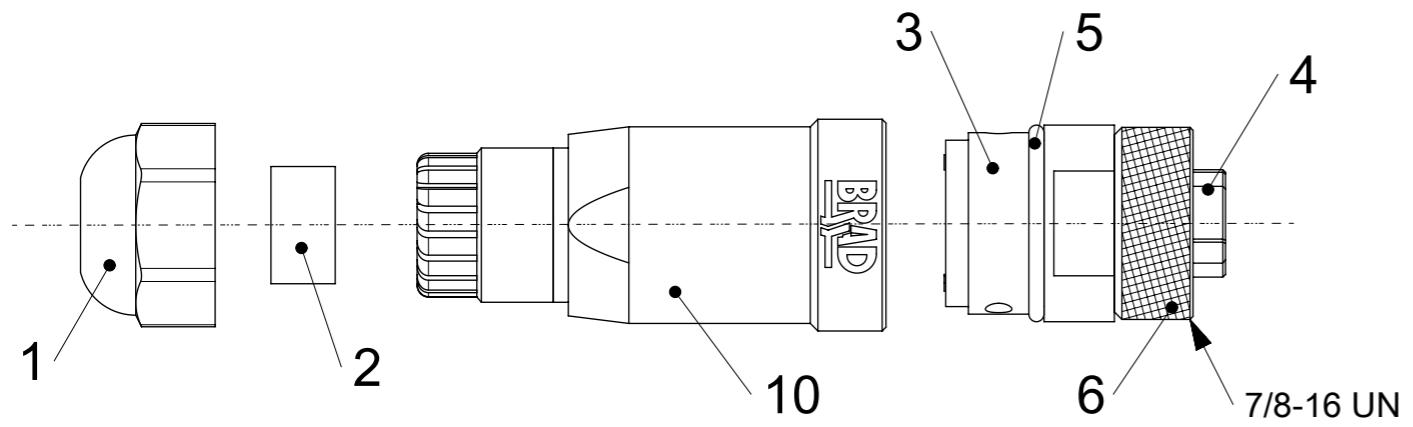
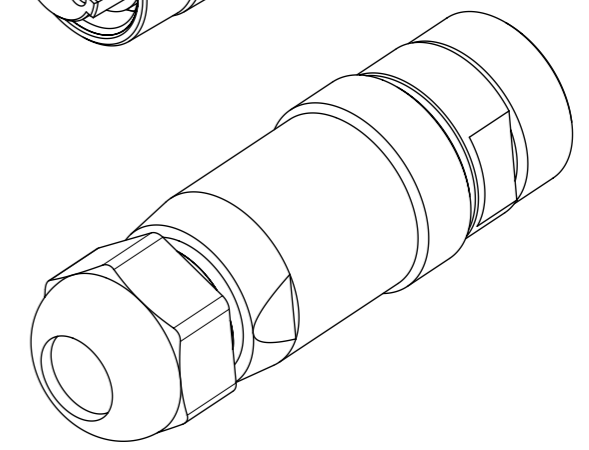
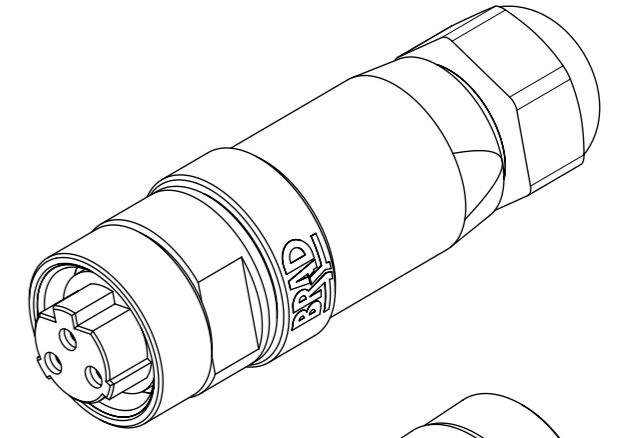


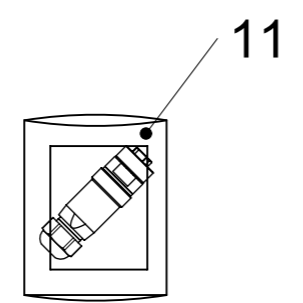
O.D. CABLE RANGE
6.0-12.0/0.24-0.48



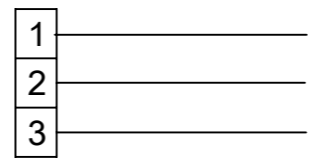
BACK SIDE
INSERT ONLY A3



FEMALE FACE VIEW



WIRING CHART



- NOTES:
- 1. MATERIAL: AS NOTED
 - 2. FINISH: AS NOTED
 - 3. ELECTRICAL:
VOLTAGE: 500V PER IEC60664
600V PER UL2237
CURRENT: 15A
 - 4. WIRE RANGE: 24 TO 14AWG
 - 5. TEMP RATING: -20° TO +80°C
 - 6. PROTECTION: IP67 (WHEN MATED)
 - 7. ALL DIMS ARE FOR REFERENCE
UNLESS NOTED OTHERWISE

A2

CHART

PART NO.	ENGINEERING NO.
1300170063	1A3100-34PWR

ITEM	COMPONENT	MATERIAL	FINISH
1	HUT NUT PG 13.5	PA, BLACK	-
2	GASKET MO	NITRILE, BLACK	-
3	INSERT FE REAR	PA, BLACK	-
4	INSERT FE FRONT	SANTOPRENE, BLACK	-
5	GASKET OR	NBR, BLACK	-
6	COUPLING NUT	BRASS	Ni PLATED
7	CONTACT FE	BRASS	AU PLATED
8	SCREW M3x5	BRASS	ZN
9	SLEEVE	STAINLESS STEEL 305	-
10	HOUSING FA	PA, BLACK	-
11	POLYBAG 200x200x0.050	PE	-

RELEASE STATUS P1 RELEASE DATE 25.10.2017 08:25:11

QUALITY SYMBOLS A = 0 E = 0 F = 0 G = 0 H = 0 I = 0 J = 0 K = 0 L = 0 M = 0 N = 0 O = 0	THIS DRAWING CONTAINS INFORMATION THAT IS PROPRIETARY TO MOLEX ELECTRONIC TECHNOLOGIES, LLC AND SHOULD NOT BE USED WITHOUT WRITTEN PERMISSION		DIMENSION UNITS SCALE mm 1:1			
	IEC VOLTAGE WAS 400 EC NO: 167046 DRWN: RSCHEIBER CHK'D: BBRAUCH REV APPR:	GENERAL TOLERANCES (UNLESS SPECIFIED) ANGULAR TOL ± 1.0 °	DRWN BY DATE RSCHEIBER 2016/02/01	PRODUCT CUSTOMER DRAWING		
		4 PLACES ± 3 PLACES ± 2 PLACES ± 0.05 1 PLACE ± 0.3 0 PLACES ± 0.5	CHK'D BY DATE KCOX01 2017/03/03	SERIES MATERIAL NUMBER CUSTOMER 130017 SEE CHART		
		DRAFT WHERE APPLICABLE MUST REMAIN WITHIN DIMENSIONS	APPR BY DATE JALEXANDER 2016/03/16	DRAWING SIZE THIRD ANGLE PROJECTION A3		DOCUMENT NUMBER DOC TYPE DOC PART SHEET NUMBER 1300170063 PSD 000 1 OF 1