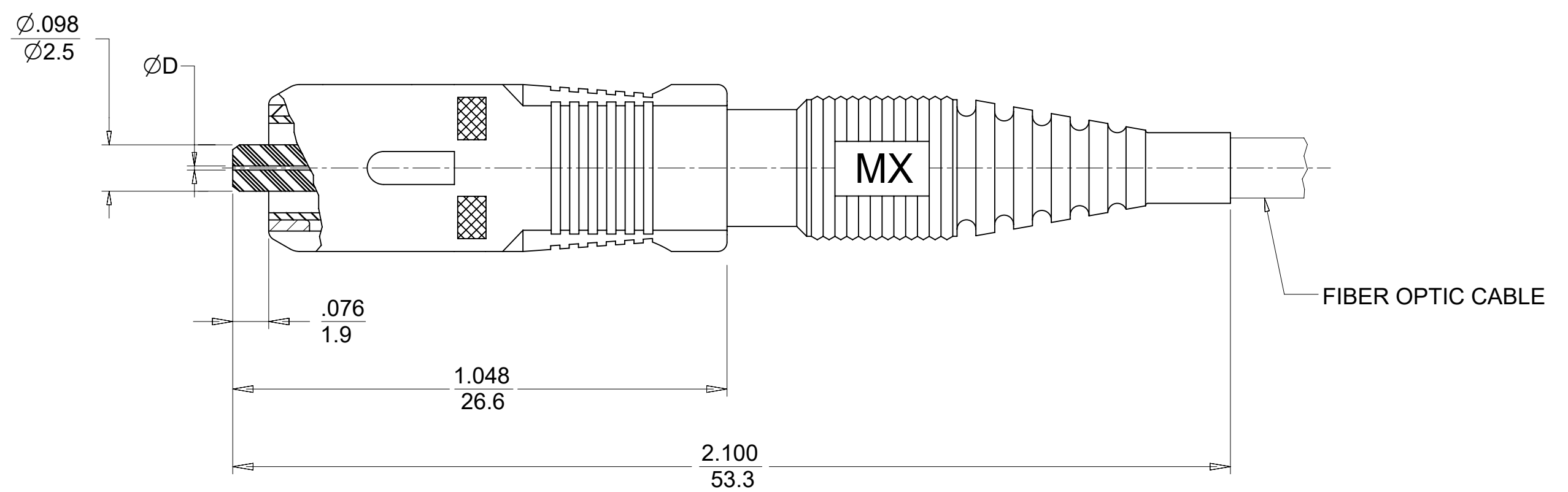
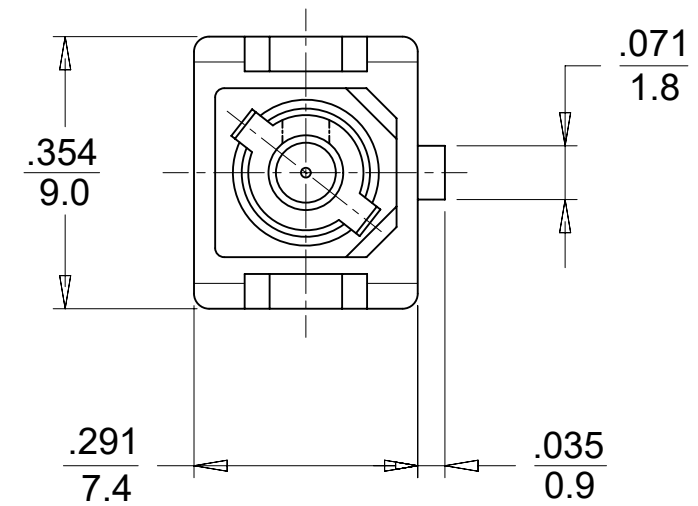


CONNECTOR P/N	∅D (μm)	FERRULE MATERIAL	BOOT COLOR	HOUSING COLOR	CONNECTOR TYPE	CABLE (mm)
106063-0000	127	Zr	BLUE	BLUE	MULTIMODE	3
106063-0060		LOW COST Zr	BEIGE	BEIGE		
106063-0099						
106063-0090 <sup>2</sup>						
106063-0070	128	Zr	BLACK	BLACK		
106063-3000			BLUE	BLUE		
106063-3060			BEIGE	BEIGE		
106063-3070			BLACK	BLACK		

CONNECTOR P/N	∅D (μm)	FERRULE MATERIAL	BOOT COLOR	HOUSING COLOR	CONNECTOR TYPE	CABLE (mm)	
106063-4000	125	Zr	YELLOW	BLUE	SINGLE MODE	3	
106063-4100	125.25		BLACK	BLACK			
106063-4070	125		YELLOW	BLUE			
106063-5000	126		BLACK	BLACK			
106063-5070			YELLOW	BLUE			
106063-7000	127		BLACK	BLACK			
106063-7070			YELLOW	BLUE			
106063-4300	125		LOW COST Zr	YELLOW		BLUE	2.4
106063-5300	126						3
106063-5099							



NOTES:

- 1. ALL DIMENSIONS ARE FOR REFERENCE ONLY.
- <sup>2</sup> P/N 106063-0090 BULK PACKED IN QUANTITIES OF 100 PCS.

THIS DRAWING CONTAINS INFORMATION THAT IS PROPRIETARY TO MOLEX ELECTRONIC TECHNOLOGIES, LLC AND SHOULD NOT BE USED WITHOUT WRITTEN PERMISSION									
DIMENSION UNITS <b>IN/MM</b>		SCALE <b>5:1</b>		CURRENT REV DESC: REMOVED OBSOLETE PART NUMBER AS PER PCN#512063.				<b>molex</b>	
GENERAL TOLERANCES (UNLESS SPECIFIED)				EC NO: 713759		2022/08/25			
4 PLACES ±		±		DRWN: SANTHN		2022/10/07		SC CONNECTOR (ONE PIECE DESIGN)	
3 PLACES ±		±		CHK'D: GB		2022/10/07			
2 PLACES ±		±		APPR: GB		2022/10/07		PRODUCT CUSTOMER DRAWING	
1 PLACE ±		±		INITIAL REVISION:				DOCUMENT NUMBER	
0 PLACES ±		±		DRWN: RPACIFICI				SD-106063-XXX0	
ANGULAR TOL ± 0.5 °		THIRD ANGLE PROJECTION		DRAWING		SERIES		DOC TYPE   DOC PART   REVISION	
DRAFT WHERE APPLICABLE MUST REMAIN WITHIN DIMENSIONS		C-SIZE		106063		MATERIAL NUMBER		CUSTOMER	
						SEE TABLE		GENERAL MARKET	
								1 OF 1	