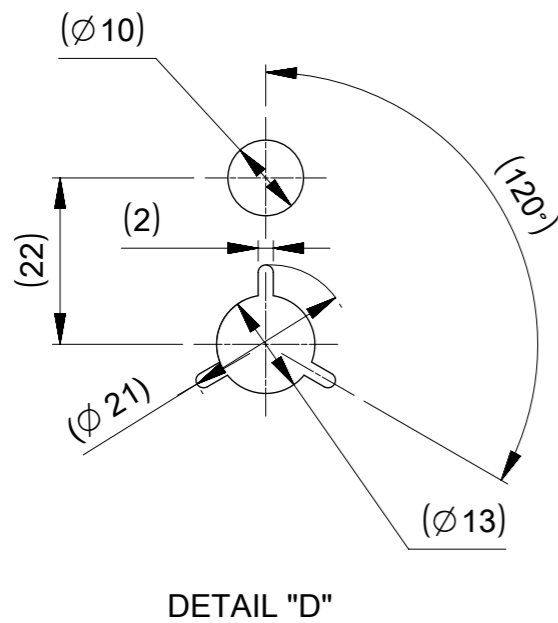
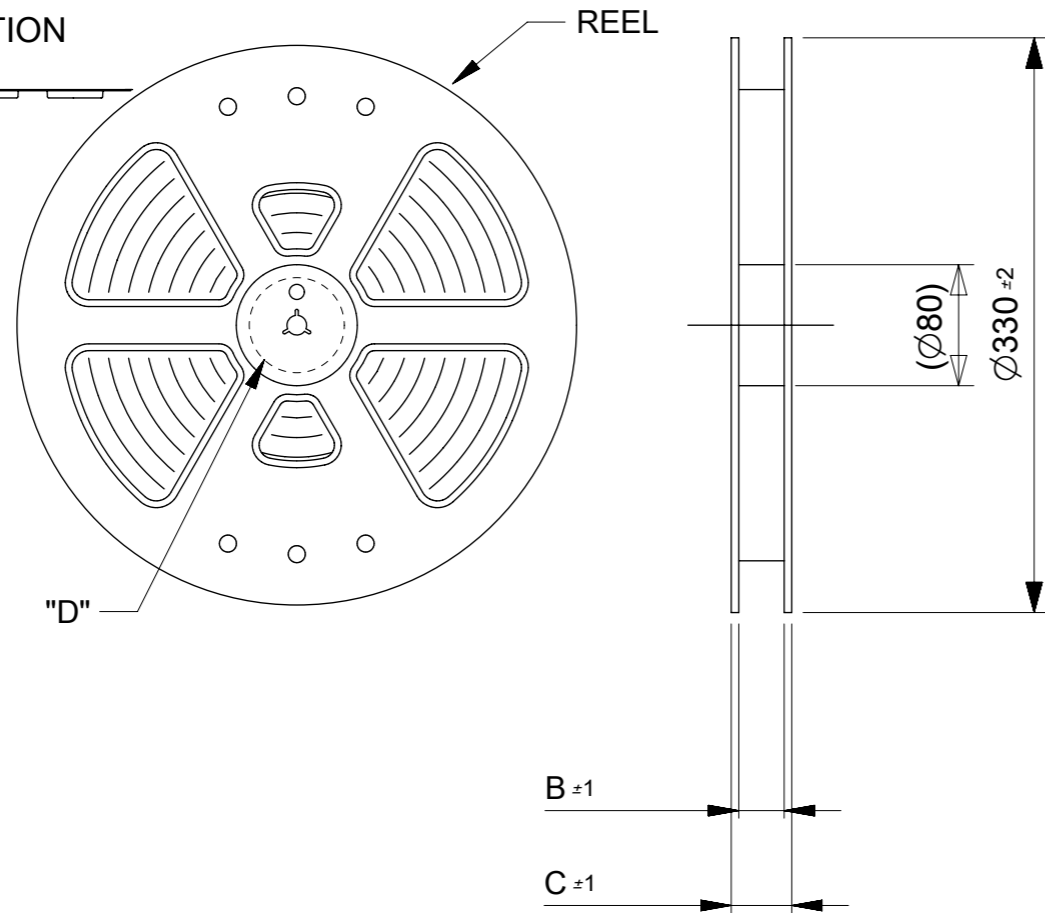


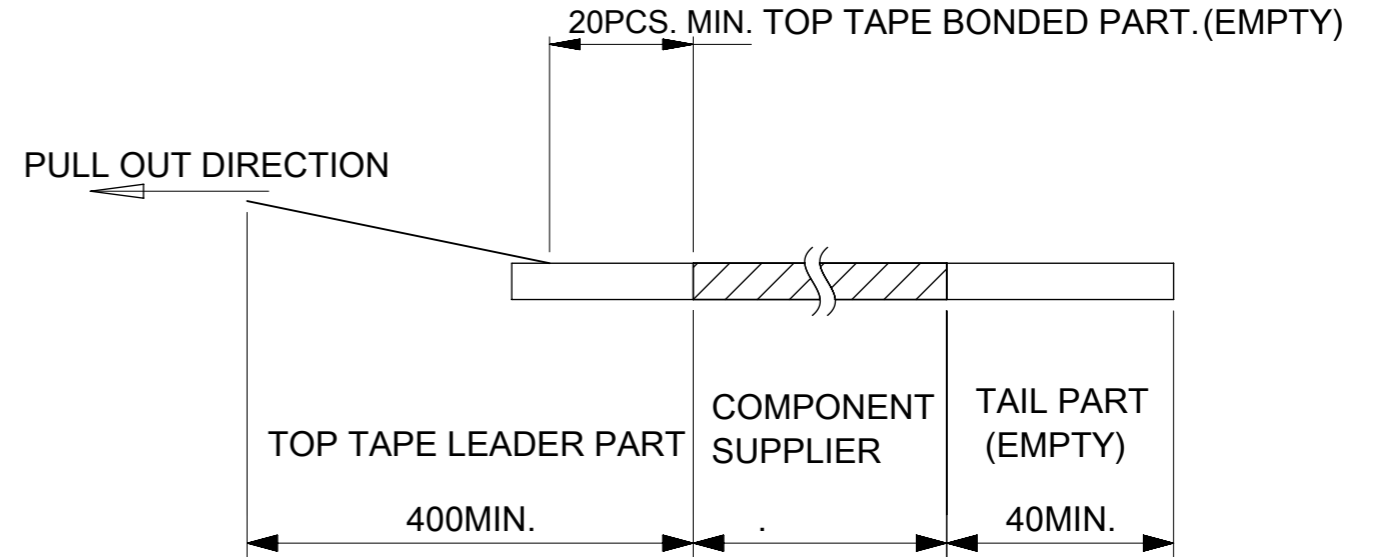
PULL OUT DIRECTION



DETAIL "D"

NOTES

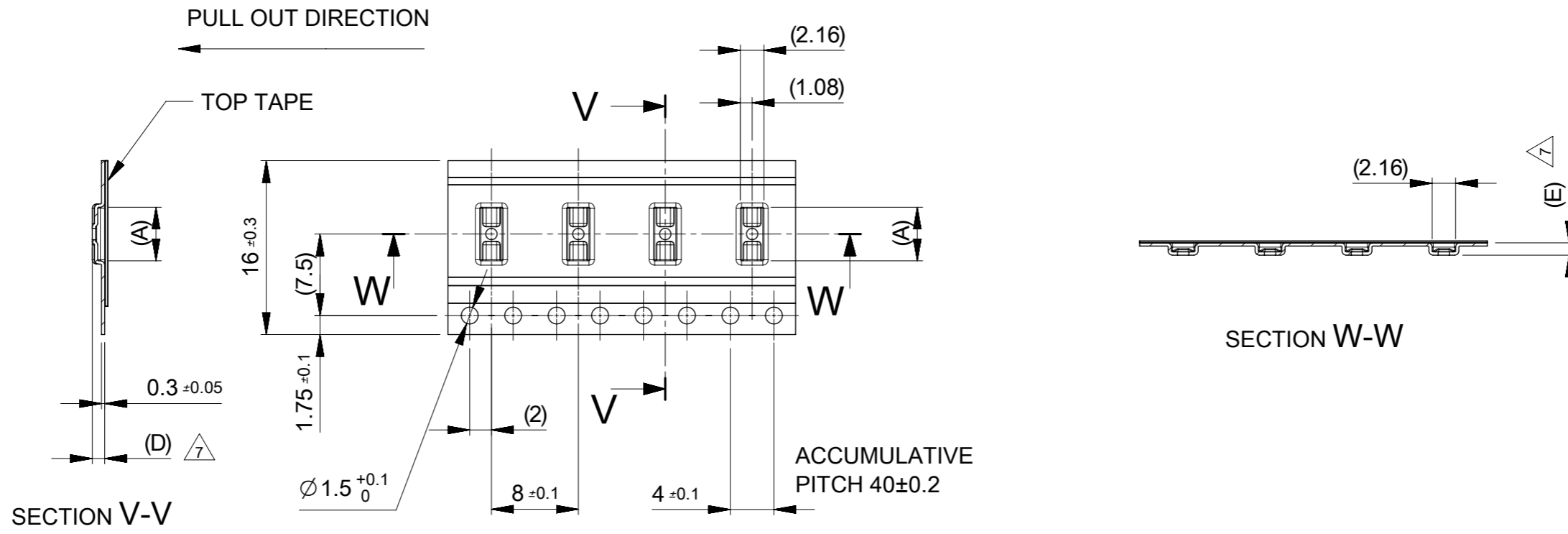
- RE DETAILED DIMENSION, SEE PRODUCT DRAWING.
- NUMBER OF CONNECTORS : 6000 PCS/REEL.
- LEAD TAPE LENGTH.



- TOP TAPE PEEL FORCE IS DEFINED BY IEC60286-3
  - MATERIAL  
CARRER TAPE :POLYSTYRENE  
TOP TAPE :PET , OTHER  
REEL :POLYSTYRENE(PS)(RECYCLE MATERIAL CONTAINED)
  - ELV AND RoHS COMPLIANT
- △ Only 6 circuit is different in this dimension.

MODEL NO. 505070-\*\*40

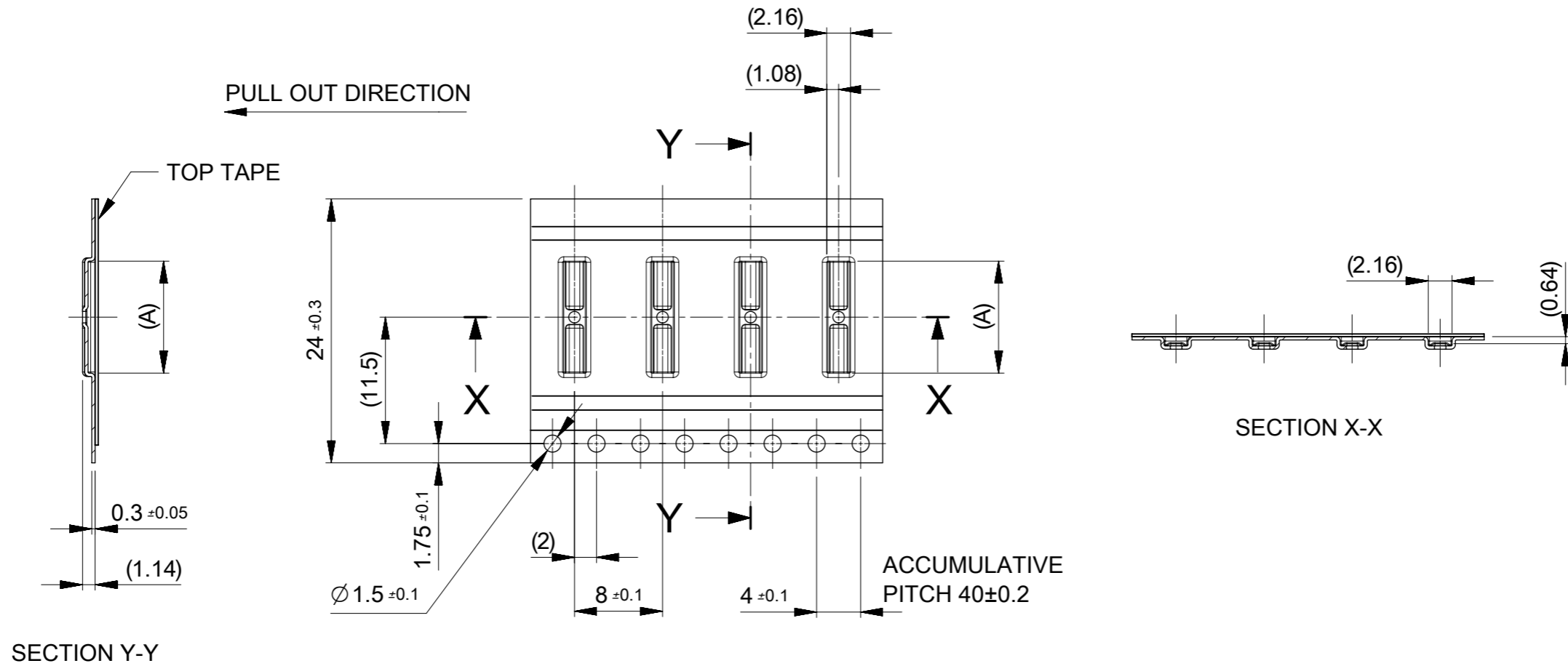
THIS DRAWING CONTAINS INFORMATION THAT IS PROPRIETARY TO MOLEX ELECTRONIC TECHNOLOGIES, LLC AND SHOULD NOT BE USED WITHOUT WRITTEN PERMISSION										
REVISED	EC NO: 110631	2016/11/17	GENERAL TOLERANCES (UNLESS SPECIFIED)		DIMENSION UNITS	SCALE	<b>molex</b> <sup>®</sup>			
	DRWN: TSOMEYA	2016/11/28	ANGULAR TOL ± 1.0 °		MM	1:5				
	CHK'D: KTANAKA03	2016/11/28	4 PLACES	± 0.01	DRWN BY	DATE	0.35 BB CONN. H=0.6 SSB6 RP PLUG ASSY			
	APP: TKUSUHARA01		3 PLACES	± 0.03	STERUKI	2016/02/15				
			2 PLACES	± 0.05	CHK'D BY	DATE				
		1 PLACE	± 0.1	KTANAKA03	2016/02/18	PRODUCT CUSTOMER DRAWING				
		0 PLACES	± 0.2	APPR BY	DATE	SERIES	MATERIAL NUMBER	CUSTOMER		
				KMORIKAWA	2016/02/19	505070	SEE CHART	GENERAL		
				DRAFT WHERE APPLICABLE MUST REMAIN WITHIN DIMENSIONS	DRAWING SIZE	THIRD ANGLE PROJECTION	DOCUMENT NUMBER	DOC TYPE	DOC PART	SHEET NUMBER
F					A3		5050700000	PSD	002	1 OF 3



16	0.64	1.14	21.4	17.4	6.68	505070-3040	○	---	30	
					5.63	505070-2440	○	---	24	
					5.28	505070-2240	○	---	22	
					4.93	505070-2040	○	---	20	
					4.58	505070-1840	---	---	18	
					4.23	505070-1640	○	---	16	
					3.88	505070-1440	○	---	14	
					3.53	505070-1240	○	---	12	
					3.18	505070-1040	○	---	10	
					2.78	505070-0840	---	○	8	
					2.43	505070-0640	○	---	6	
キャリアテープ幅 CARRIER TAPE WIDTH		(E)	(D)	C	B	(A)	MATERIAL No.	HIGH VOL. TOOL	LOW VOL. TOOL	CIRCUIT
								SAMPLE PREPARATION		

THIS DRAWING CONTAINS INFORMATION THAT IS PROPRIETARY TO MOLEX ELECTRONIC TECHNOLOGIES, LLC AND SHOULD NOT BE USED WITHOUT WRITTEN PERMISSION

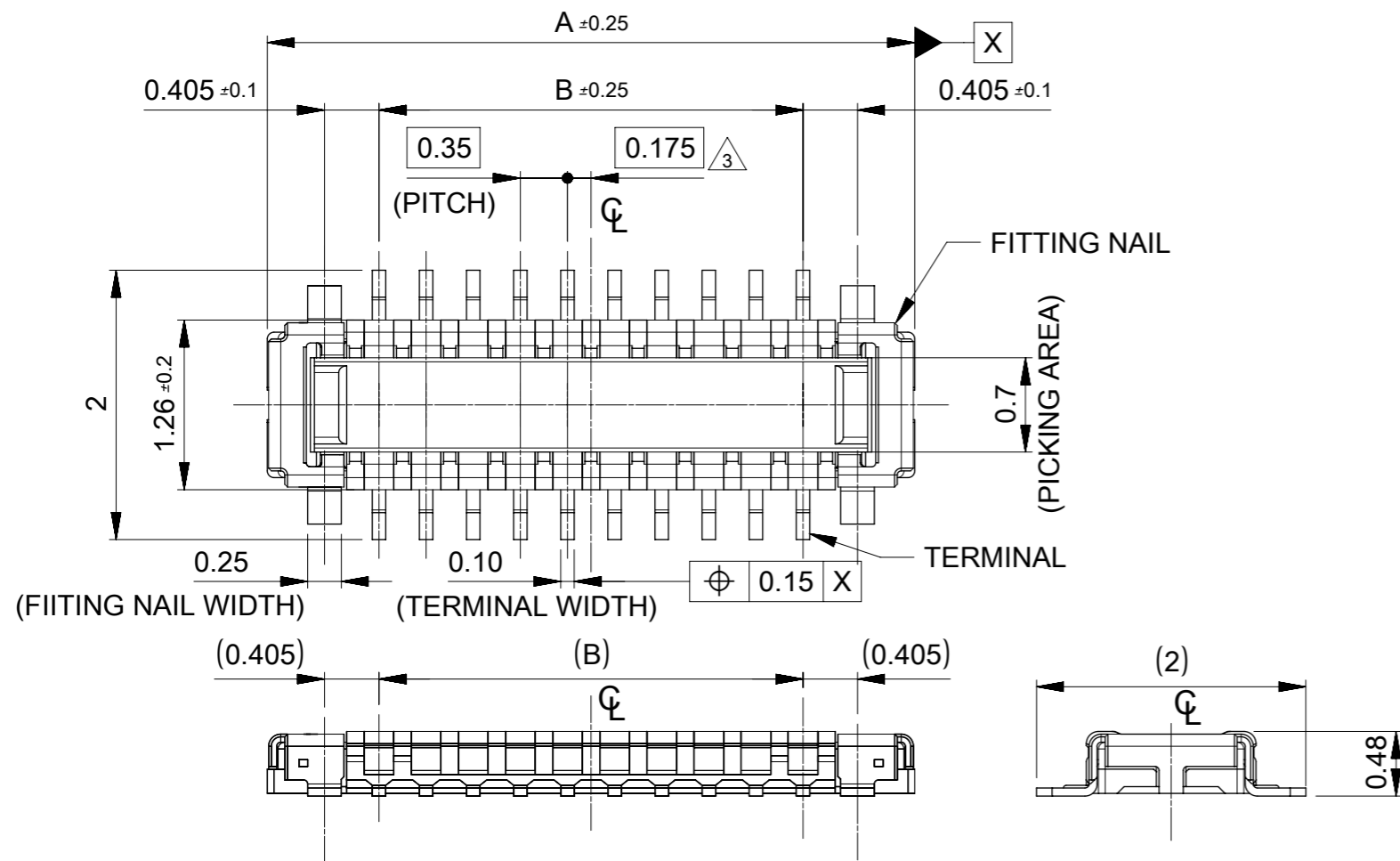
EC NO: 110631 DRWN: TSOMEYA CHK'D: KTANAKA03 APPR: TKUSUHARA01	2016/11/17	2016/11/28	2016/11/28	GENERAL TOLERANCES (UNLESS SPECIFIED) ANGULAR TOL ± 1.0 ° 4 PLACES ± 0.01 3 PLACES ± 0.03 2 PLACES ± 0.05 1 PLACE ± 0.1 0 PLACES ± 0.2 DRAFT WHERE APPLICABLE MUST REMAIN WITHIN DIMENSIONS	DIMENSION UNITS	SCALE	
	REVISOR	DATE	DATE		MM	2:1	
	STERUKI	2016/02/15	DATE		DRWN BY	DATE	
	KTANAKA03	2016/02/18	DATE		CHK'D BY	DATE	
	KMORIKAWA	2016/02/19	DATE		APPR BY	DATE	
F	REV	DRAWING SIZE	THIRD ANGLE PROJECTION	A3	PRODUCT CUSTOMER DRAWING SERIES: 505070 MATERIAL NUMBER: SEE CHART CUSTOMER: GENERAL DOCUMENT NUMBER: 5050700000 DOC TYPE: PSD DOC PART: 002 SHEET NUMBER: 2 OF 3		



24	29.4	25.4	12.63	505070-6440	---	---	64	
			11.93	505070-6040	---	---	60	
			10.88	505070-5440	○	---	54	
			10.18	505070-5040	○	---	50	
			9.83	505070-4840	○	---	48	
			9.48	505070-4640	---	---	46	
			8.78	505070-4240	○	---	42	
			8.43	505070-4040	○	---	40	
			7.38	505070-3440	○	---	34	
キャリアテープ幅 CARRIER TAPE WIDTH		C	B	(A)	MATERIAL No.	HIGH VOL TOOL SAMPLE PREPARATION	LOW VOL TOOL	CIRCUIT

THIS DRAWING CONTAINS INFORMATION THAT IS PROPRIETARY TO MOLEX ELECTRONIC TECHNOLOGIES, LLC AND SHOULD NOT BE USED WITHOUT WRITTEN PERMISSION

EC NO: 110631 DRWN: TSOMEYA CHK'D: KTANAKA03 REV APPR: TKUSUHARA01	2016/11/17	2016/11/28	2016/11/28	GENERAL TOLERANCES (UNLESS SPECIFIED) ANGULAR TOL ± 1.0 ° 4 PLACES ± 0.01 3 PLACES ± 0.03 2 PLACES ± 0.05 1 PLACE ± 0.1 0 PLACES ± 0.2 DRAFT WHERE APPLICABLE MUST REMAIN WITHIN DIMENSIONS	DIMENSION UNITS	SCALE	
	REVISION	MM	2:1				
	DRWN BY	DATE	STERUKI 2016/02/15				
	CHK'D BY	DATE	KTANAKA03 2016/02/18				
	APPR BY	DATE	KMORIKAWA 2016/02/19				
PRODUCT CUSTOMER DRAWING		SERIES	MATERIAL NUMBER	CUSTOMER			
		505070	SEE CHART	GENERAL			
DOCUMENT NUMBER		DOC TYPE	DOC PART	SHEET NUMBER			
5050700000		PSD	002	3 OF 3			



14.76	14.16	11.90	13.56	505070-7040	---	---	70
13.71	13.11	10.85	12.51	505070-6440	---	---	64
13.01	12.41	10.15	11.81	505070-6040	---	---	60
12.66	12.06	9.80	11.46	505070-5840	---	---	58
11.96	11.36	9.10	10.76	505070-5440	○	---	54
11.26	10.66	8.40	10.06	505070-5040	○	---	50
10.91	10.31	8.05	9.71	505070-4840	○	---	48
10.56	9.96	7.70	9.36	505070-4640	---	---	46
9.86	9.26	7.00	8.66	505070-4240	○	---	42
9.51	8.91	6.65	8.31	505070-4040	○	---	40
9.16	8.56	6.30	7.96	505070-3840	---	---	38
8.46	7.86	5.60	7.26	505070-3440	○	---	34
7.76	7.16	4.90	6.56	505070-3040	○	---	30
7.41	6.81	4.55	6.21	505070-2840	---	---	28
6.71	6.11	3.85	5.51	505070-2440	○	---	24
6.36	5.76	3.50	5.16	505070-2240	○	---	22
6.01	5.41	3.15	4.81	505070-2040	○	---	20
5.66	5.06	2.80	4.46	505070-1840	---	---	18
5.31	4.71	2.45	4.11	505070-1640	○	---	16
4.96	4.36	2.10	3.76	505070-1440	○	---	14
4.61	4.01	1.75	3.41	505070-1240	○	---	12
4.26	3.66	1.40	3.06	505070-1040	○	---	10
3.91	3.31	1.05	2.71	505070-0840	---	○	8
3.56	2.96	0.70	2.36	505070-0640	○	---	6
				EMBOSSSED TAPE PACKAGE	HIGH VOL. TOOL	LOW VOL. TOOL	
D	C	B	A	ORDER NO.	SAMPLE PREPARATION ○ : TOOLED △ : WORK IN PROCESS ---:TOOLING TO BE CONFIRMED		CIRCUIT

- 1 MATERIAL  
 WAFER: LIQUID CRYSTAL POLYMER UL94V-0 (COLOR : BLACK)  
 TERMINAL: COPPER ALLOY  
 FITTING NAIL : COPPER ALLOY
- 2 PLATING  
 TERMINAL :  
 CONTACT AREA: SEPARATED GOLD PLATING (0.1 MICROMETER MINIMUM).  
 SOLDER TAIL AREA: SEPARATED GOLD PLATING.  
 UNDERPLATE: NICKEL OVERALL.  
 \*DIVIDE INTO PARTS THE GOLD PLATING OF THE CONTACT AND THE TAIL PART BY THE NICKEL PLATING.  
 FITTING NAIL :  
 CONTACT AREA: SEPARATED GOLD PLATING (0.1 MICROMETER MINIMUM).  
 SOLDER TAIL AREA: SEPARATED GOLD PLATING.  
 UNDERPLATE: NICKEL OVERALL.  
 \*DIVIDE INTO PARTS THE GOLD PLATING OF THE CONTACT AND THE TAIL PART BY THE NICKEL PLATING.  
 \*EVEN THOUGH GOLD PLATING ON THE TOP SURFACE OF NAIL MIGHT BE THIN, NO FUNCTIONAL PROBLEM.
- △<sub>3</sub> APPLY FOR (CIRCUIT/2)=EVEN.
- 4 MATE WITH : 505066-\*\*20
- 5 TAIL AND FITTING NAIL COPLANARITY TO BE 0.08 MAXIMUM.
- △<sub>6</sub> PROHIBITED AREA OF PATTERN WIRING AND SOLDER.  
 (FOR EACH AREA, THE WIRING THAT TOUCHES ON THE SOLDER CAN BE ATTACHED, THEN COVERED WITH A FILM TO KEEP SOLDER OUT).
- 7 ELV and RoHS COMPLIANT.

THIS DRAWING CONTAINS INFORMATION THAT IS PROPRIETARY TO MOLEX ELECTRONIC TECHNOLOGIES, LLC AND SHOULD NOT BE USED WITHOUT WRITTEN PERMISSION

REVISED	2016/11/21	DRWN: TSOMEYA	GENERAL TOLERANCES (UNLESS SPECIFIED)	DIMENSION UNITS	SCALE				
	2016/11/28	CHK'D: KTANAKA03	ANGULAR TOL ± 1.0 °	MM	20:1				
	2016/11/28	APPR: TKUSUHARA01	4 PLACES ± 0.01	DRWN BY	DATE				
			3 PLACES ± 0.03	STERUKI	2016/02/03				
			2 PLACES ± 0.05	CHK'D BY	DATE	0.35 BB CONN. SSB6 RP PLUG ASSY			
			1 PLACE ± 0.1	KTANAKA03	2016/02/18				
			0 PLACES ± 0.2	APPR BY	DATE				
			DRAFT WHERE APPLICABLE MUST REMAIN WITHIN DIMENSIONS	KMORIKAWA	2016/02/19				
				DRAWING SIZE	THIRD ANGLE PROJECTION	PRODUCT CUSTOMER DRAWING			
				A3		SERIES	MATERIAL NUMBER	CUSTOMER	
						505070	SEE CHART	GENERAL	
						DOCUMENT NUMBER	DOC TYPE	DOC PART	SHEET NUMBER
						5050701000	PSD	002	1 OF 2

