

# SPECIFICATION FOR APPROVAL



TO: \_\_\_\_\_

PART NO.		REV.		DELTA SAMPLE ISSUE NO	
PART NAME	EMI FILTER		DELTA MODEL		03SB3SM
ORDER P/N.	03SB3SM		SAMPLE ISSUE DATE		

1. ELECTRICAL CHARACTERISTICS:

- 1-1. VOLTAGE RATING ..... 115/250VAC
- 1-2. CURRENT RATING
  - 3. AT 115VAC ..... 3 A RMS Max.
  - B. AT 250VAC ..... 3 A RMS Max.
- 1-3. OPERATING FREQUENCY..... 50/60 Hz
- 1-4. LEAKAGE CURRENT: EACH LINE TO GROUND
  - A. @115VAC 60Hz ..... 2.0 uA Max.
  - B. @250VAC 50Hz ..... 5.0 uA Max.
- 1-5. HIPOT RATING (FOR ONE MINUTE)
  - A. LINE TO GROUND ..... 2250VDC
  - B. LINE TO LINE ..... 1450VDC
- 1-6. TEMPERATURE RANGE: -25 TO +85 DEGREE C
- 1-7. MINIMUM INSERTION LOSS IN dB: (AT 50 OHM SYSTEM)

FREQ. MHz	.01	.05	.10	.15	.50	1.0	5.0	10	30
COM. MODE dB	/	12	18	20	25	25	25	20	10
DIF. MODE dB	/	0	2	4	12	15	25	25	20

1-8. SAFETY

REPORT BY	CHECKED BY	APPROVED BY	3	
			2	
			REV.1	

**DELTA ELECTRONICS, INC.**

186 RUEY KUANG ROAD, NEIHU. TAIPEI 114,  
TAIWAN, R.O.C.  
TEL:886-2-87972088 FAX:886-2-87972120

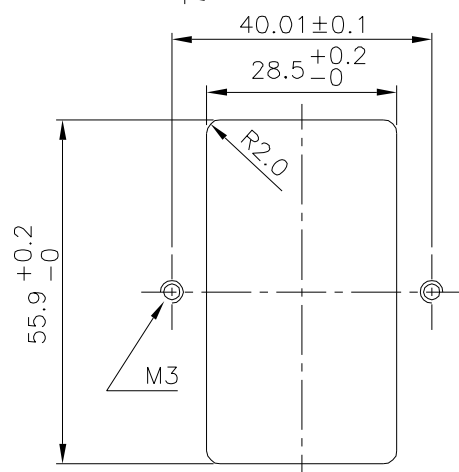
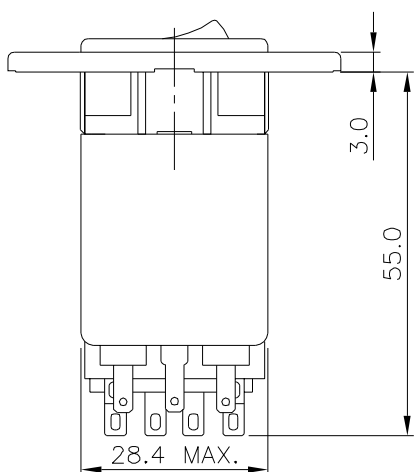
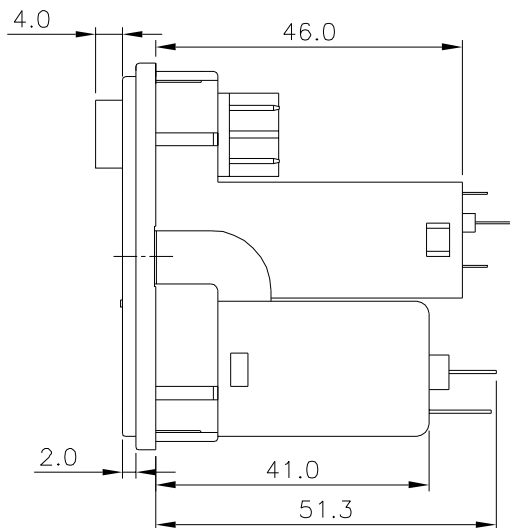
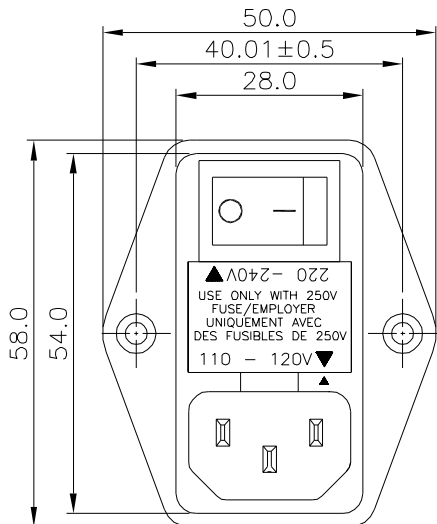
# SPECIFICATION FOR APPROVAL



TO: \_\_\_\_\_

PART NO.		REV.		DELTA SAMPLE ISSUE NO	
PART NAME	EMI FILTER		DELTA MODEL	03SB3SM	
ORDER P/N.	03SB3SM		SAMPLE ISSUE DATE		

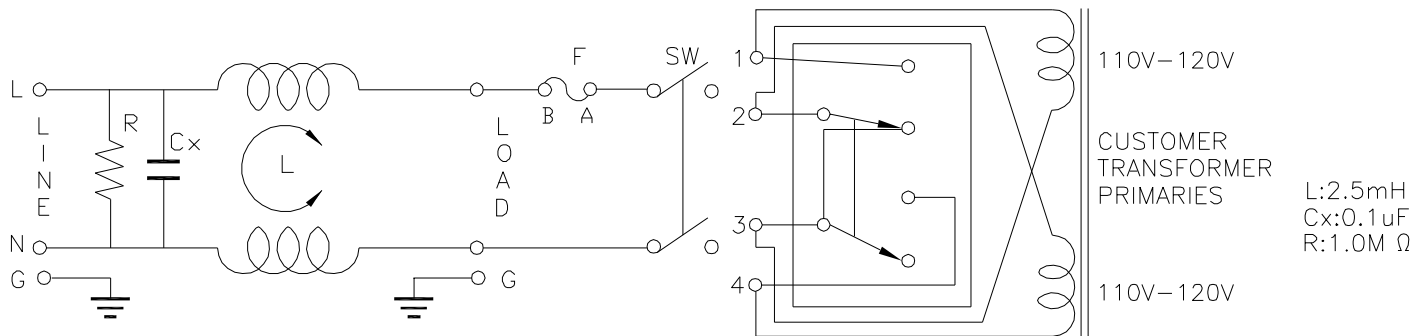
## 2. PHYSICAL DIMENSIONS:



UNIT: mm

SUGGESTED MOUNTING CUTOUT  
(MOUNTING FROM FRONT)

## 3. ELECTRICAL SCHEMATIC:



REPORT BY	CHECKED BY	APPROVED BY	UNLESS OTHERWISE SPECIFIED DIMENSION TOLERANCE DCEIMALS .X± 1.0 .XX± ANGLES±		
			REV.	S00	