

4

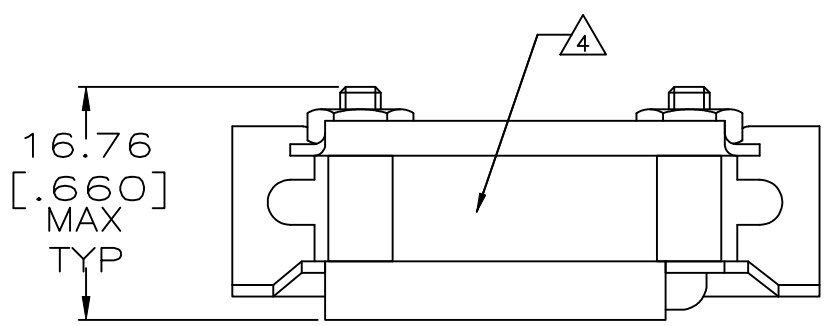
3

2

1

THIS DRAWING IS UNPUBLISHED. RELEASED FOR PUBLICATION
 © COPYRIGHT - TE Connectivity Ltd. ALL RIGHTS RESERVED.

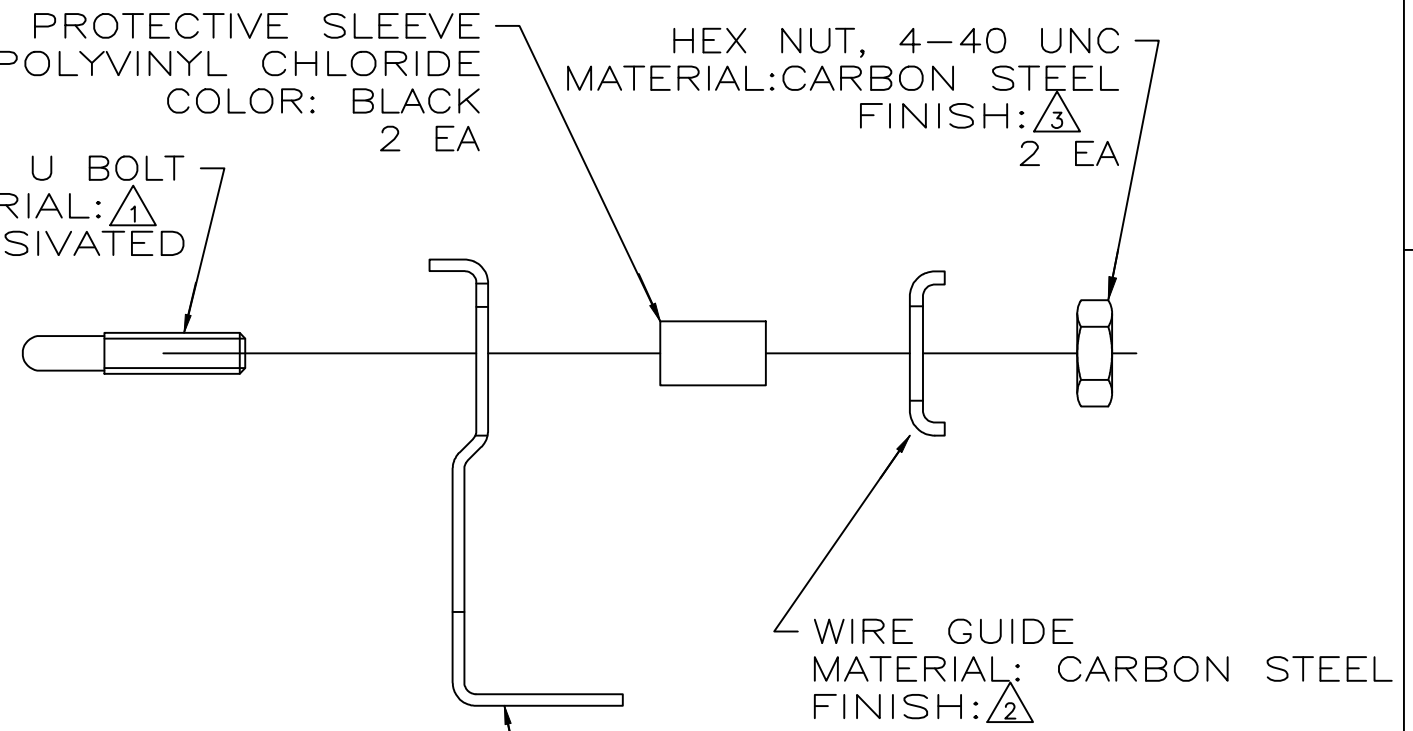
REVISIONS				
P	LTR	DESCRIPTION	DATE	APVD
G		REVISED PER ECO-08-031035	15DEC08	HMR GS
H		REVISED PER ECO-18-017239	02NOV2018	RS MZ



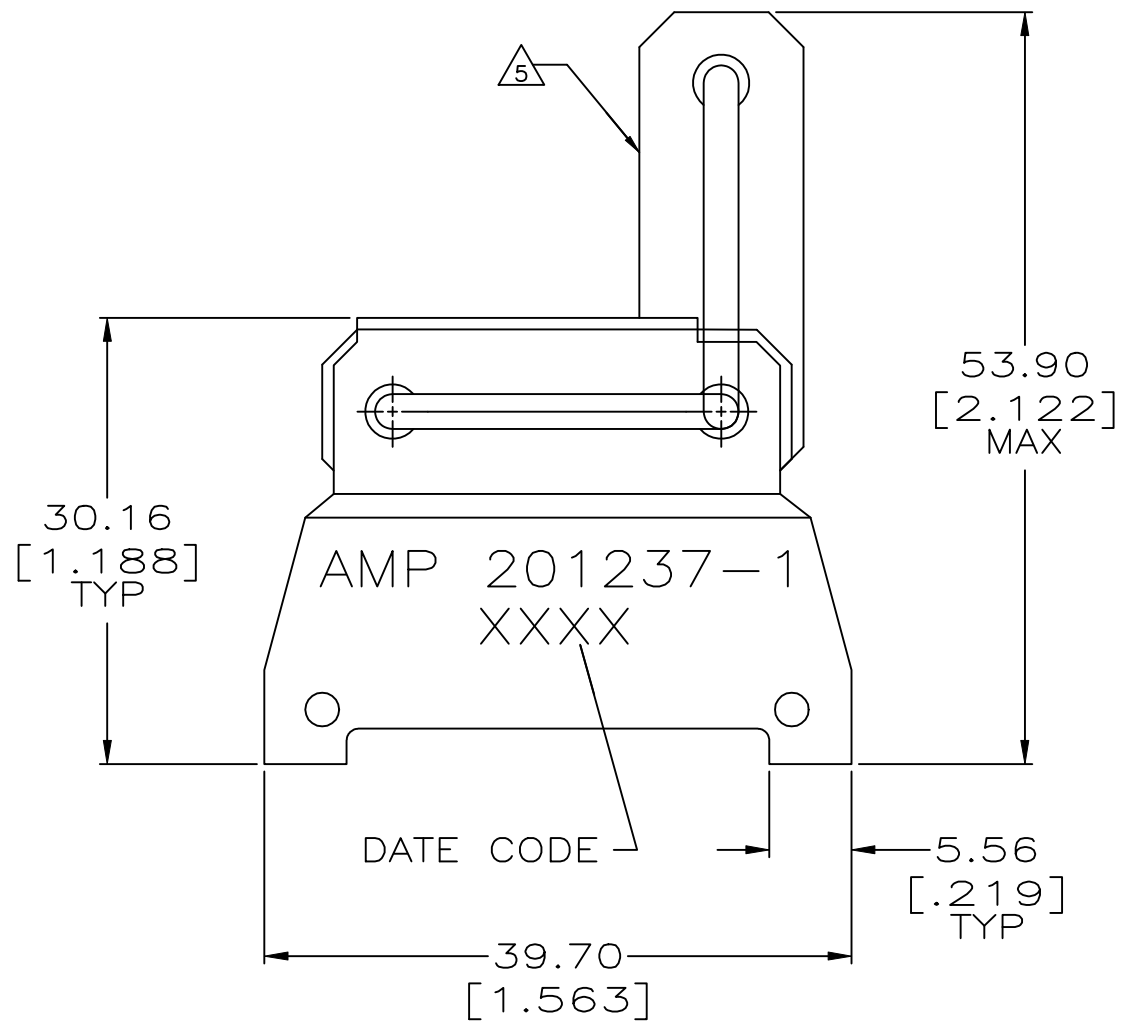
PROTECTIVE SLEEVE
 MATERIAL: POLYVINYL CHLORIDE
 COLOR: BLACK
 2 EA

HEX NUT, 4-40 UNC
 MATERIAL: CARBON STEEL
 FINISH: $\triangle 3$
 2 EA

U BOLT
 MATERIAL: $\triangle 1$
 FINISH: PASSIVATED



BRACKET
 MATERIAL: STAINLESS STEEL



- $\triangle 1$ STAINLESS STEEL PER QQ-S-763.
- $\triangle 2$ 5.08um[.000200] MIN NICKEL.
- $\triangle 3$ ZINC PER ASTM-B-633.
- $\triangle 4$ 161.29 SQ mm[.250 SQ IN] MAX CLAMP AREA.
- $\triangle 5$ ALTERNATE POSITION OF CABLE CLAMP FOR 90° CABLE OUTLET.

	201237-2
OBSOLETE	201237-1
	PART NUMBER

THIS DRAWING IS A CONTROLLED DOCUMENT.		DWN C. REIFSNYDER 18 APR 96	TE Connectivity Ltd.													
DIMENSIONS: mm [INCHES]		CHK R. STONE 24 MAY 96														
TOLERANCES UNLESS OTHERWISE SPECIFIED:		APVD G. STEINHAUER 21 JUN 96	NAME CLAMP KIT, UNASSEMBLED, STRAIN RELIEF, 20 PLACE, M SERIES													
<table border="0"> <tr><td>0 PLC</td><td>± -</td></tr> <tr><td>1 PLC</td><td>± -</td></tr> <tr><td>2 PLC</td><td>± 0.38[.015]</td></tr> <tr><td>3 PLC</td><td>± -</td></tr> <tr><td>4 PLC</td><td>± -</td></tr> <tr><td>ANGLES</td><td>± -</td></tr> </table>		0 PLC	± -	1 PLC	± -	2 PLC	± 0.38[.015]	3 PLC	± -	4 PLC	± -	ANGLES	± -	PRODUCT SPEC -	SIZE A3	CAGE CODE 00779
0 PLC	± -															
1 PLC	± -															
2 PLC	± 0.38[.015]															
3 PLC	± -															
4 PLC	± -															
ANGLES	± -															
MATERIAL SEE CALLOUTS		FINISH SEE CALLOUTS	DRAWING NO C=201237	RESTRICTED TO -												
CUSTOMER DRAWING			SCALE 2:1	SHEET 1 of 1												
			REV H													