



Main

Range of Product	Harmony K
Product or Component Type	Complete cam switch
Component name	K115
[I _{th}] conventional free air thermal current	115 A
Mounting Location	Front
Fixing Mode	4 holes
Cam switch head type	With front plate 88 x 88 mm
Type of operator	Black handle
Rotary handle padlocking	Without
Presentation of legend	With metallic, 1 - 0 - 2 black
Cam switch function	Changeover switch
Return	Without
Off position	With Off position
Poles description	3P
Switching positions	Right: 0° - 60° Left: 0° - 300°
IP degree of protection	IP40 IEC 529 IP40 NF C 20-010

Complementary

Switching angle	60 °
[U _i] rated insulation voltage	690 V 3)EN 60947-1 690 V 3)IEC 60947-1
Rated operational power in W	13000 W AC-3, 380/440 V 1 phase EN/IEC 60947-3 15000 W AC-23A, 220/240 V 1 phase EN/IEC 60947-3 15000 W AC-3, 220/240 V 3 phase EN/IEC 60947-3 22000 W AC-23A, 380/440 V 1 phase EN/IEC 60947-3 30000 W AC-23A, 220/240 V 3 phase EN/IEC 60947-3 30000 W AC-3, 380/440 V 3 phase EN/IEC 60947-3 30000 W AC-3, 660/690 V 3 phase EN/IEC 60947-3 3700 W AC-3, 110 V 1 phase EN/IEC 60947-3 45000 W AC-23A, 380/440 V 3 phase EN/IEC 60947-3 5500 W AC-23A, 110 V 1 phase EN/IEC 60947-3 65000 W AC-23A, 660/690 V 3 phase EN/IEC 60947-3 7500 W AC-3, 220/240 V 1 phase EN/IEC 60947-3
[I _e] rated operational current AC	100 A AC-21A EN/IEC 60947-3
Short-circuit current	15000 A
Short-circuit protection	125 A cartridge fuse gG
[U _{imp}] rated impulse withstand voltage	6 kV EN 947-1 6 kV IEC 947-1
Contact operation	Slow-break
Positive opening	With
Electrical connection	Captive screw clamp terminals flexible 1 x 25 mm ² Captive screw clamp terminals solid 1 x 35 mm ²
Tightening torque	22.13 lbf.in (2.5 N.m)

Switching capacity in mA	100000 mA DC 140 V 3 resistive 1 ms) 100000 mA DC 24 V 1 inductive 50 ms) 100000 mA DC 48 V 1 resistive 1 ms) 100000 mA DC 48 V 2 inductive 50 ms) 100000 mA DC 70 V 3 inductive 50 ms) 100000 mA DC 95 V 2 resistive 1 ms) 115000 mA DC 24 V 1 resistive 1 ms) 115000 mA DC 48 V 2 resistive 1 ms) 115000 mA DC 70 V 3 resistive 1 ms) 33000 mA DC 30 V 1 inductive 50 ms) 33000 mA DC 60 V 2 inductive 50 ms) 33000 mA DC 90 V 3 inductive 50 ms)
Mechanical durability	300000 cycles
CAD overall width	3.46 in (88 mm)
CAD overall height	3.46 in (88 mm)
CAD overall depth	6.06 in (154 mm)
Net Weight	1.42 lb(US) (0.645 kg)

Environment

Standards	EN/IEC 60947-3
Product certifications	CULus 120 V 5 hp 1 phase CULus 240 V 10 hp 1 phase CULus 240 V 20 hp 3 phase CULus 480 V 30 hp 3 phase
Protective treatment	TC
Ambient Air Temperature for Operation	-13...131 °F (-25...55 °C)
Ambient Air Temperature for Storage	-40...158 °F (-40...70 °C)
Overvoltage category	Class II IEC 60536 Class II NF C 20-030

Ordering and shipping details

Category	21446-9003 K CAM SWITCHES
Discount Schedule	CS1
GTIN	3389110083385
Nbr. of units in pkg.	1
Package weight(Lbs)	2.21 lb(US) (1.001 kg)
Returnability	No
Country of origin	AT

Packing Units

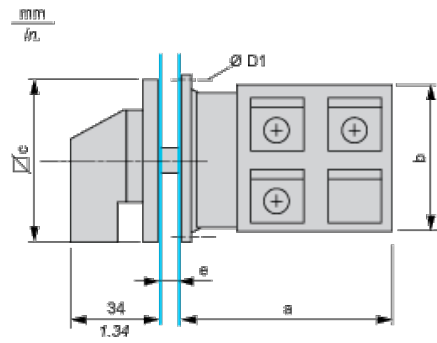
Unit Type of Package 1	PCE
Package 1 Height	9.25 in (23.5 cm)
Package 1 width	3.86 in (9.8 cm)
Package 1 Length	3.86 in (9.8 cm)
Unit Type of Package 2	S03
Number of Units in Package 2	5
Package 2 Weight	11.98 lb(US) (5.435 kg)
Package 2 Height	11.81 in (30 cm)
Package 2 width	11.81 in (30 cm)
Package 2 Length	15.75 in (40 cm)

Offer Sustainability

California proposition 65	WARNING: This product can expose you to chemicals including: Nickel compounds, which is known to the State of California to cause cancer, and Di-isodecyl phthalate (DIDP), which is known to the State of California to cause birth defects or other reproductive harm. For more information go to www.P65Warnings.ca.gov
REACH Regulation	REACH Declaration
REACH free of SVHC	Yes
EU RoHS Directive	Pro-active compliance (Product out of EU RoHS legal scope) EU RoHS Declaration
Toxic heavy metal free	Yes
Mercury free	Yes
RoHS exemption information	Yes
China RoHS Regulation	China RoHS Declaration
WEEE	The product must be disposed on European Union markets following specific waste collection and never end up in rubbish bins.
<h2>Contractual warranty</h2>	
Warranty	18 months

Dimensions

Front Mounting

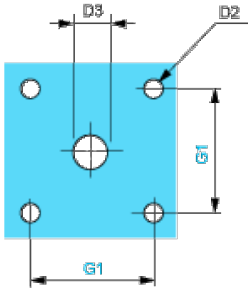


e support panel thickness 0.5 to 5.5 mm / 0.02 to 0.22 in.

a		b		c		D1	
mm	in.	mm	in.	mm	in.	mm	in.
114.5	4.51	84	3.31	88	3.46	5.4	0.21

Panel Cut-Out

Front Mounting

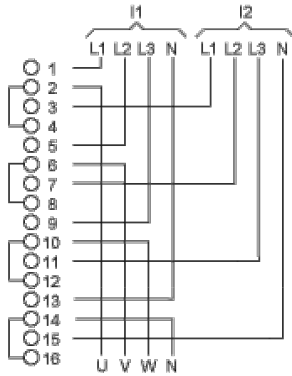


D2		D3		G1	
mm	in.	mm	in.	mm	in.
6	0.24	13	0.51	68	2.68

Link Positions (Factory Mounted)

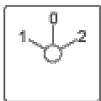
Diagram for 1 to 4-pole Switches

Select the number of poles according to the product characteristics

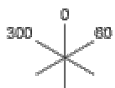


- I1 Input 1
- I2 Input 2

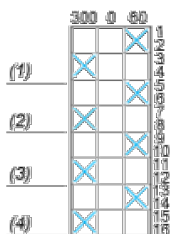
Marking



Angular Position of Switch



Switching Program



- (1) 1-pole
- (2) 2-pole
- (3) 3-pole
- (4) 4-pole

Convention Used for Switching Program Representation

- Contact closed
- Contact closed in 2 positions and maintained between the 2 positions



Sealed assembly for auto-maintain control



Overlapping contacts



Spring return position: for a switching angle of 90° , spring return is over 30° after the last position (for a maximum of 3 simultaneous contacts).

Example:

