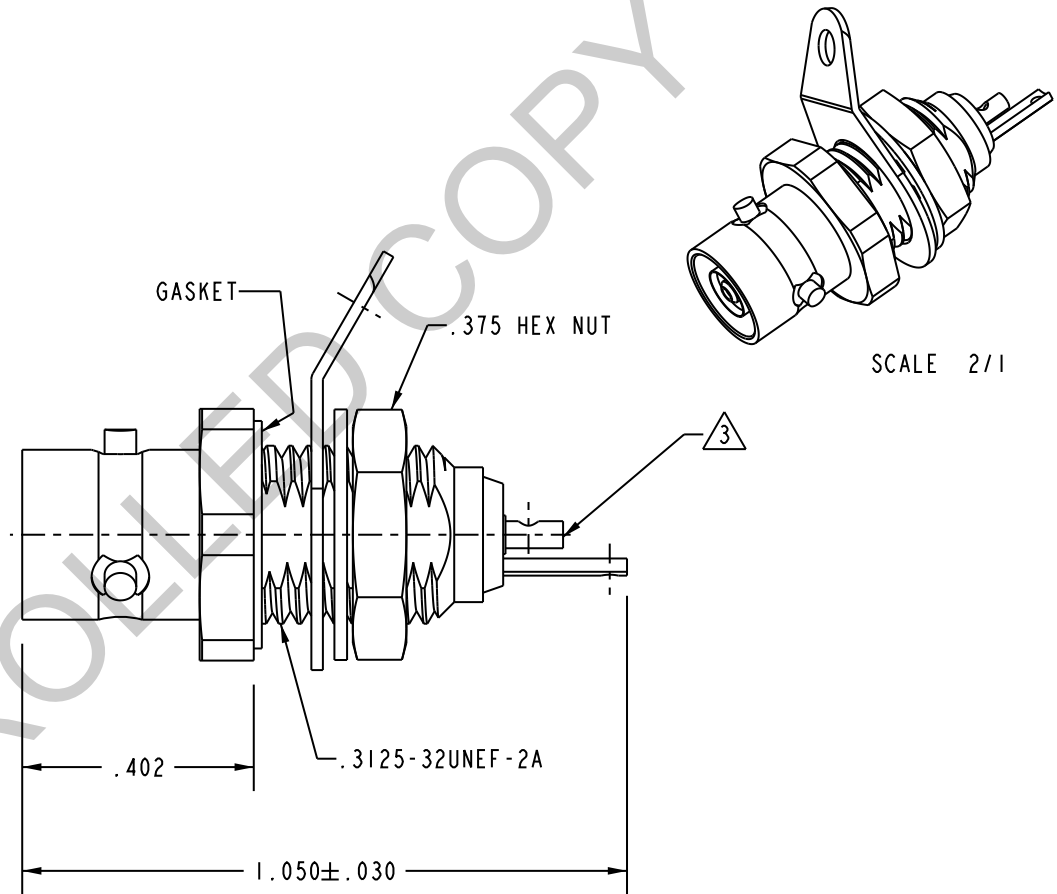
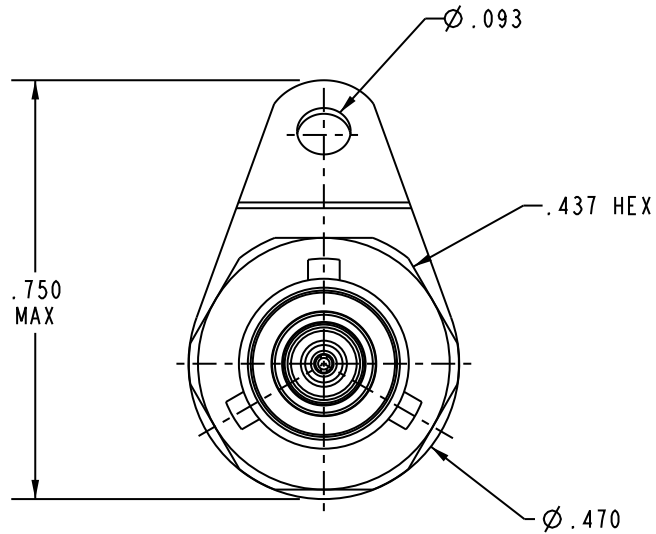
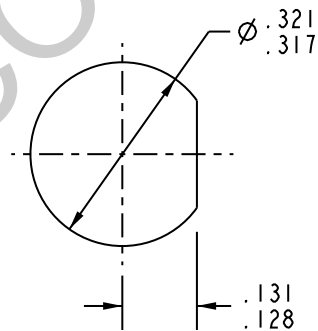


DATA CONTAINED IN THIS DOCUMENT IS PROPRIETARY TO EMERSON CONNECTIVITY SOLUTIONS AND SHALL NOT BE DISCLOSED, COPIED OR USED FOR PROCUREMENT OR MANUFACTURE WITHOUT EXPRESS WRITTEN PERMISSION

REVISIONS			
REV	DESCRIPTIONS	DATE	APPROVED
P	REVISED PER ECO 16924	6/4/09	



SCALE 2/1



RECOMMENDED PANEL CUTOUT

4. SUBMINIATURE TRIAXIAL SOLDER POT BULKHEAD MOUNT 3-LUG RECEPTACLE (TPS STYLE)

3 SOLDER POT ACCEPTS Ø.034 MAXIMUM CONDUCTOR

2. MAXIMUM PANEL THICKNESS: .187

1 FINISH: TFS-1A (NICKEL)

NOTES: UNLESS OTHERWISE SPECIFIED.

INTERPRET DRAWING PER MIL-STD-100. DIMENSIONS ARE IN INCHES AND INCLUDE FINISH THICKNESS UNLESS OTHERWISE SPECIFIED.

TOL: UNLESS SPECIFIED.  
 .XX ± .02  
 .XXX ± .010  
 ANGLE ± 1°



Cinch Connectivity Solutions  
 299 Johnson Ave, Ste. 100  
 Waseca, MN 56093  
 1-800-247-8256

DRN W JOHNSON 5/8/09

CHK LM 5/25/09

QUALITY

MANUF

APPROVED LM 5/25/09

PROJ TITLE NO 3-0027

MATERIAL:

QUALITY

MANUF

APPROVED LM 5/25/09

PROJ TITLE NO 3-0027

TITLE: BJI57

FINISH: 1

SIZE A CAGE CODE 14949 DRAWING NO. 3-0027 REV. P

SCALE 1/1 DATE 12-22-75 SHEET 1 OF 2

DO NOT SCALE DWG

SCALE 1/1 DATE 12-22-75 SHEET 1 OF 2