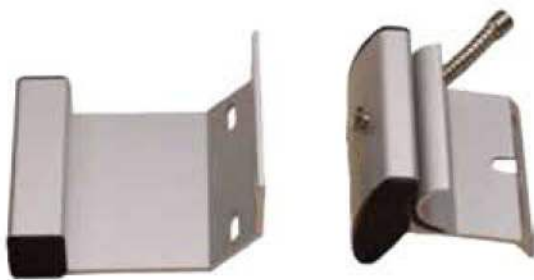


# TANE-66 WG OVERHEAD DOOR CONTACTS

\*\*TANE-68 WG-WP18 (Water Resistant - SPDT)

Track Mount Overhead Door Commercial Type



Contact Size: 2.76"L×3.15"W×1.57"H

(70mm×80mm×40mm)

Standard Magnet Size: 3.54"L×3.1"W×1.69"H

(90mm×78.8mm×43mm)

Standard Gap: 2.5"(64mm)

Colors: Aluminum

18"(458mm) Armor Leads Standard

36"(915mm) Armor Leads Available

## Specifications

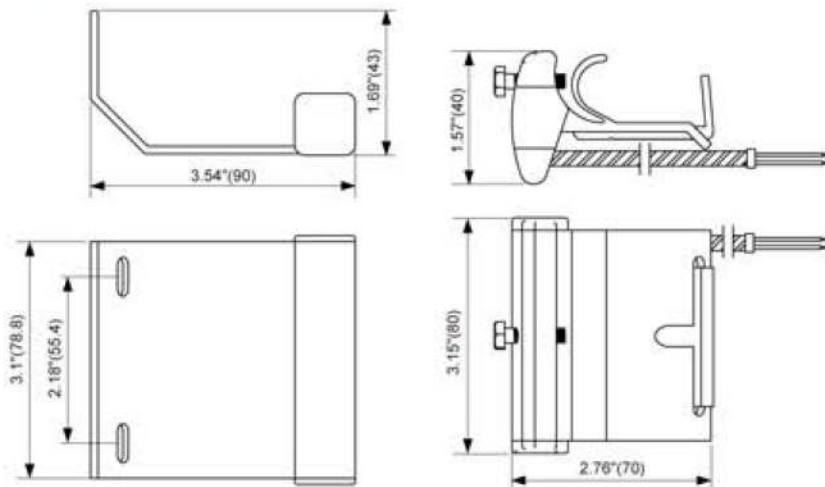
| Part Number        | Gap Inch(mm) | Loop Open/Closed | Reed Form       | Max. Contact Rating (W) | Max. Initial Contact Resistance (mΩ) | Max. Switching Voltage (V) | Max. Switching Current (A) |
|--------------------|--------------|------------------|-----------------|-------------------------|--------------------------------------|----------------------------|----------------------------|
| TANE-66 WG         | 2.5"(64)     | CLOSED           | Normally Open   | 10                      | 100                                  | AC110/DC100                | 0.5                        |
| TANE-67 WG         | 2.2"(55)     | OPEN             | Normally Closed | 3                       | 100                                  | AC30/DC30                  | 0.2                        |
| TANE-68 WG         | 2.2"(55)     | SPDT             | SPDT            | 3                       | 100                                  | AC30/DC30                  | 0.2                        |
| **TANE-68 WG -WP18 | 2.2"(55)     | SPDT             | SPDT            | 3                       | 100                                  | AC30/DC30                  | 0.2                        |

OPERATING TEMPERATURE:-40°C to +60°C

## Outline Dimensions

Unit: inch(mm)

### TANE-66 WG/TANE-67 WG



The Best Product Guarantee since 1984®

## TANE ALARM PRODUCTS

906 JERICHO TURNPIKE, NEW HYDE PARK, NY 11040

Tel: 800-852-5050 • 516-328-3351 • Fax: 516-326-9125

www.tanealarm.com • E-MAIL: info@tanealarm.com

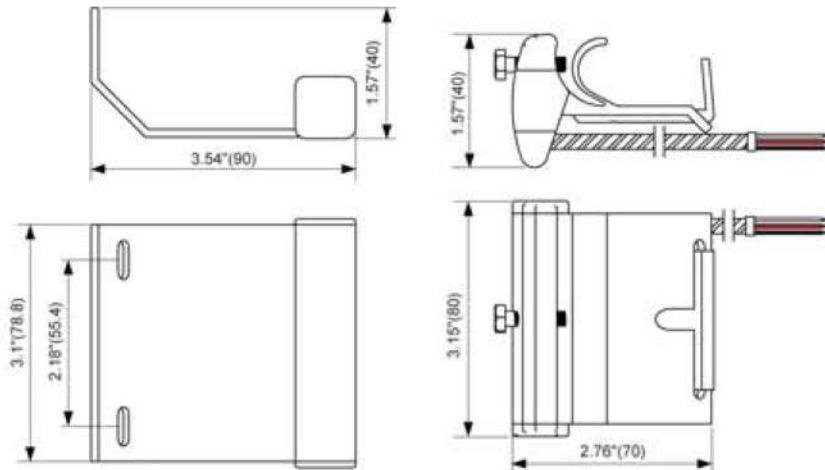


# TANE-66 WG OVERHEAD DOOR CONTACTS

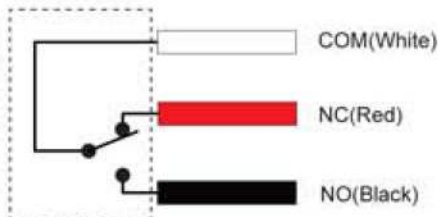
## Outline Dimensions

Unit: inch(mm)

TANE-68 WG  
TANE-68WG WP18



TANE-68 WG Wiring Diagram  
TANE-68WG WP18 Wiring Diagram



The Best Product Guarantee since 1984®

**TANE ALARM PRODUCTS**

906 JERICHO TURNPIKE, NEW HYDE PARK, NY 11040

Tel: 800-852-5050 • 516-328-3351 • Fax: 516-326-9125

www.tanealarm.com • E-MAIL: info@tanealarm.com

*"We Contact The World™"*