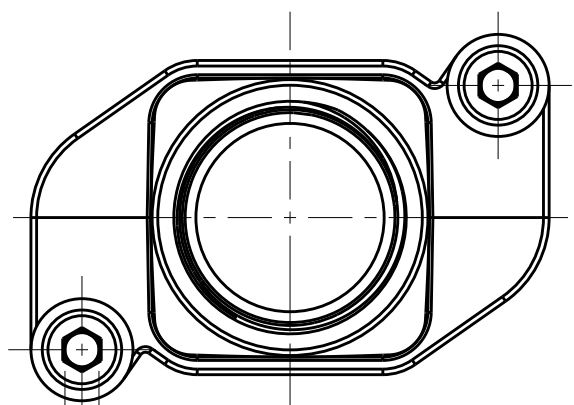


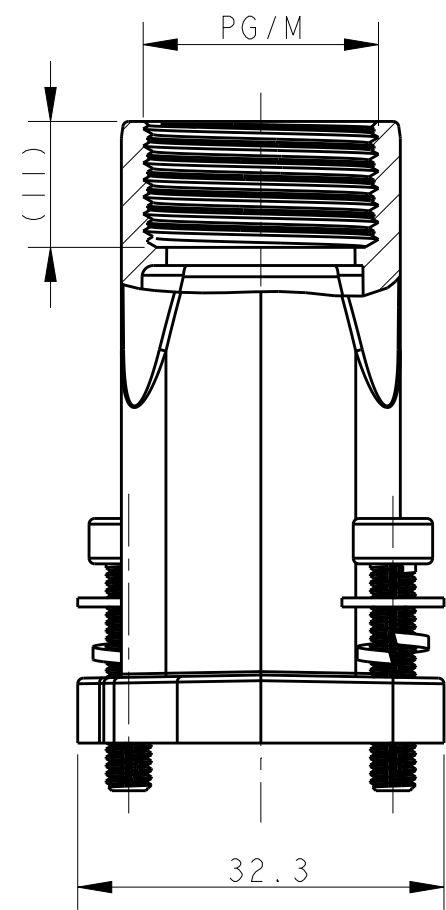
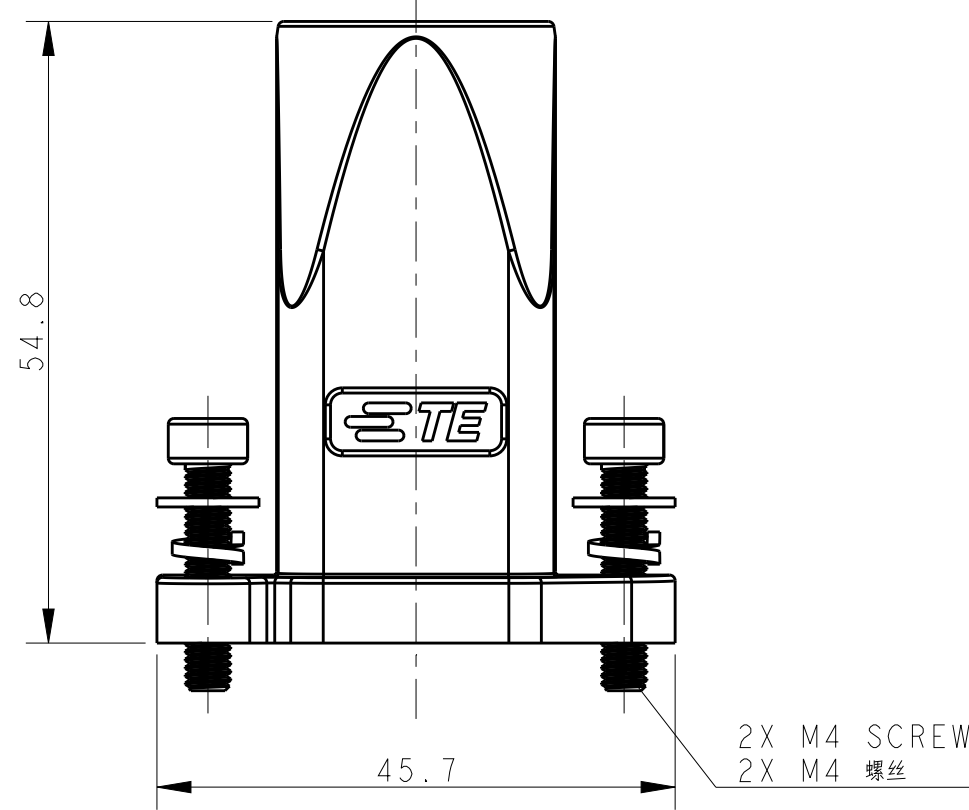
THIS DRAWING IS UNPUBLISHED. RELEASED FOR PUBLICATION 20
 © COPYRIGHT 20 BY - ALL RIGHTS RESERVED.

REVISIONS

P	LTR	DESCRIPTION	DATE	DWN	APVD
	A	INITIAL RELEASE	27SEP2016	DW	CW
	B	ECR-17-011260		DW	CW



SW3

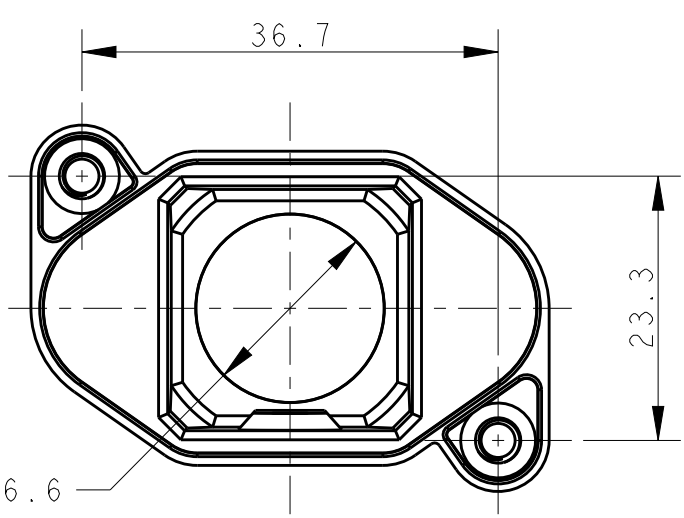
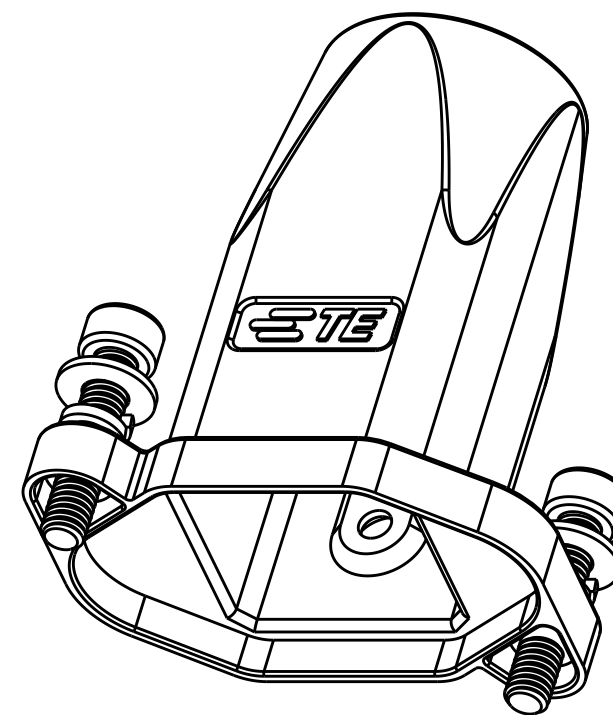


NOTES:

- 1. TECHNICAL CHARACTERISTICS:
 HOOD MATERIAL: DIE CAST ZINC ALLOY
 SURFACE: SEE TABLE
 DEGREE OF PROTECTION: IP68 (MATED)

注释:

- 1. 技术参数:
 壳体材料: 锌合金
 表面处理: 见表格
 防护等级: IP68(配合)



THIS DRAWING IS A CONTROLLED DOCUMENT.		DWN 27SEP2016 DAVID WANG	TE Connectivity	
		CHK 27SEP2016 CHRIS WANG		
		APVD 27SEP2016 XIANG XU	NAME H3APR-MTGSW-PG/M-EMC-C	
DIMENSIONS: mm		TOLERANCES UNLESS OTHERWISE SPECIFIED:	PRODUCT SPEC 108-137187	
		0 PLC ±- 1 PLC ±- 2 PLC ±- 3 PLC ±- 4 PLC ±- ANGLES ±-	APPLICATION SPEC 114-137187	
MATERIAL		FINISH	WEIGHT	RESTRICTED TO
-		-	-	-
-		-	SIZE A3	CAGE CODE -
-		-	DRAWING NO. C-T192703XXXX009	SCALE 3:2
CUSTOMER DRAWING		SHEET 1 OF 2		REV B

THIS DRAWING IS UNPUBLISHED.

RELEASED FOR PUBLICATION

20

© COPYRIGHT 20 BY -

ALL RIGHTS RESERVED.

REVISIONS

P	LTR	DESCRIPTION	DATE	DWN	APVD
-		SEE SHEET 1	-	-	-

NOTES:

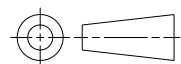
SEE SHEET 1

	T1927032120-009	H3APR-MTGSW-M20-EMC-C	H3APR HOOD, DIAGONAL INNER-HEX SCREW LOCKING, TOP ENTRY M20 POWDER COATED, GREY H3APR 内六角螺丝对角锁定顶出上壳M20 灰色	M20
OBSOLETE	T1927032116-009	H3APR-MTGSW-PG16-EMC-C	H3APR HOOD, DIAGONAL INNER-HEX SCREW LOCKING, TOP ENTRY PG16 POWDER COATED, GREY H3APR 内六角螺丝对角锁定顶出上壳PG16 灰色	PG16
	T1927032113-009	H3APR-MTGSW-PG13.5-EMC-C	H3APR HOOD, DIAGONAL INNER-HEX SCREW LOCKING, TOP ENTRY PG13.5 POWDER COATED, GREY H3APR 内六角螺丝对角锁定顶出上壳PG13.5 灰色	PG13.5
	T1927031120-009	H3APR-MTGSW-M20-EMC-C	H3APR HOOD, DIAGONAL INNER-HEX SCREW LOCKING, TOP ENTRY M20 POWDER COATED SILVER WHITE H3APR 内六角螺丝对角锁定顶出上壳M20 银白色	M20
OBSOLETE	T1927031116-009	H3APR-MTGSW-PG16-EMC-C	H3APR HOOD, DIAGONAL INNER-HEX SCREW LOCKING, TOP ENTRY PG16 POWDER COATED SILVER WHITE H3APR 内六角螺丝对角锁定顶出上壳PG16 银白色	PG16
	T1927031113-009	H3APR-MTGSW-PG13.5-EMC-C	H3APR HOOD, DIAGONAL INNER-HEX SCREW LOCKING, TOP ENTRY PG13.5 POWDER COATED SILVER WHITE H3APR 内六角螺丝对角锁定顶出上壳PG13.5 银白色	PG13.5
	T1927030120-009	H3APR-MTGSW-M20-EMC-C	H3APR HOOD, DIAGONAL INNER-HEX SCREW LOCKING, TOP ENTRY M20 POWDER COATED, BLACK H3APR 内六角螺丝对角锁定顶出上壳M20 黑色	M20
OBSOLETE	T1927030116-009	H3APR-MTGSW-PG16-EMC-C	H3APR HOOD, DIAGONAL INNER-HEX SCREW LOCKING, TOP ENTRY PG16 POWDER COATED, BLACK H3APR 内六角螺丝对角锁定顶出上壳PG16 黑色	PG16
	T1927030113-009	H3APR-MTGSW-PG13.5-EMC-C	H3APR HOOD, DIAGONAL INNER-HEX SCREW LOCKING, TOP ENTRY PG13.5 POWDER COATED, BLACK H3APR 内六角螺丝对角锁定顶出上壳PG13.5 黑色	PG13.5
	PART NUMBER 料号	PART DESCRIPTION 描述		PG/M THREAD PG/M 螺纹

THIS DRAWING IS A CONTROLLED DOCUMENT.

DIMENSIONS:

mm



TOLERANCES UNLESS OTHERWISE SPECIFIED:

- 0 PLC ±-
- 1 PLC ±-
- 2 PLC ±-
- 3 PLC ±-
- 4 PLC ±-
- ANGLES ±-

MATERIAL

FINISH

-

-

DWN 27SEP2016

DAVID WANG

CHK 27SEP2016

CHRIS WANG

APVD 27SEP2016

XIANG XU

PRODUCT SPEC

108-137187

APPLICATION SPEC

114-137187

WEIGHT

-

CUSTOMER DRAWING



TE Connectivity

NAME

H3APR-MTGSW-PG/M-EMC-C

SIZE

A3

CAGE CODE

-

DRAWING NO

©-T192703XXXX009

RESTRICTED TO

-

SCALE

3:2

SHEET

2

OF

2

REV

B