



Mallory Sonalert Products, Inc.

Part #: **FL1P-16NJ-1**
16mm Panel Light

Sales Outline Drawing

Revision: **D**

May not be suitable for all Medical and Aerospace applications.
Contact Mallory Sonalert to discuss your application.

Specifications:

| | |
|---------------------------------|------------------------------------|
| Panel Hole | 16 mm |
| Voltage Type | AC/DC |
| LED Color Available | Red, Green, Blue, Yellow, or White |
| Lens Color | Same as LED |
| Rated Voltage Available | See table below |
| Max Current Draw | 20 mA |
| Storage & Operating Temperature | -15 °C to +80 °C |
| Ingress Protection Rating | IP50 |
| LED Life | 70,000 hours |
| Weight (Typical) | 3.2 g |
| Housing Material | PA66 |
| Termination Type | Solder Lug |
| Terminal Dimensions | 2.5mm x 0.5mm x 5mm |
| Max Recommended Torque | 18 ft-lbs (25 Nm) |
| Panel Thickness | up to 0.16" (4mm) |
| Hardware Kit | SLLM16 |

RoHS Compliant

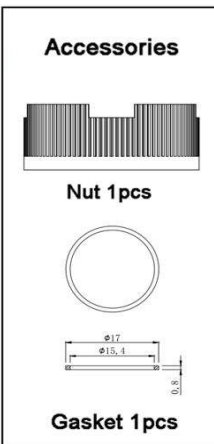
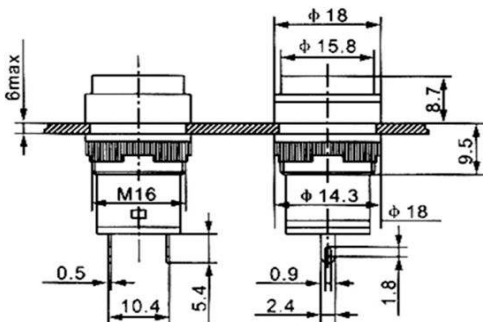
Dimensions (mm):

Part Number:

FL1P-16NJ-1-X#V

Rated Voltage

B=Blue
G=Green
R=Red
Y=Yellow
W=White



Length for reference only.

| | Light Intensity | Dominant Wavelength | Viewing Angle |
|--------|-----------------|---------------------|---------------|
| Red | 1000 -1500 mcd | 622 nm | 35° |
| Green | 8000 -10000 mcd | 522 nm | 60° |
| Yellow | 1000 -1500 mcd | 590 nm | 35° |
| Blue | 2000 - 3000 mcd | 464 nm | 35° |

| Rated Voltage | 2 VAC/DC | 3 VAC/DC | 6 VAC/DC | 12 VAC/DC | 24 VAC/DC | 48 VAC/DC | 110 VAC/DC | 220 VAC/DC | 380 VAC/DC |
|---------------|----------|-----------|----------|------------|------------|------------|------------|------------|------------|
| Red | 1.8-2.2V | 2.7-3.3V | 5.4-6.6V | 10.8-13.2V | 21.6-26.4V | 43.2-52.8V | 99-121V | 198-242V | 342-418V |
| Green | N/A | 3-3.2V | 5.4-6.6V | 10.8-13.2V | 21.6-26.4V | 43.2-52.8V | 99-121V | 198-242V | 342-418V |
| Blue | N/A | 3.12-3.2V | 5.4-6.6V | 10.8-13.2V | 21.6-26.4V | 43.2-52.8V | 99-121V | 198-242V | 342-418V |
| Yellow | 2-2.2V | 2.7-3.3V | 5.4-6.6V | 10.8-13.2V | 21.6-26.4V | 43.2-52.8V | 99-121V | 198-242V | 342-418V |
| White | N/A | 3-3.2V | 5.4-6.6V | 10.8-13.2V | 21.6-26.4V | 43.2-52.8V | 99-121V | 198-242V | 342-418V |