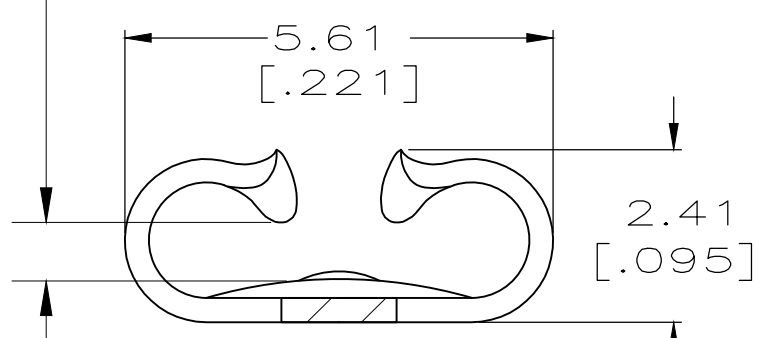


THIS DRAWING IS UNPUBLISHED. RELEASED FOR PUBLICATION
 © COPYRIGHT - By - ALL RIGHTS RESERVED.

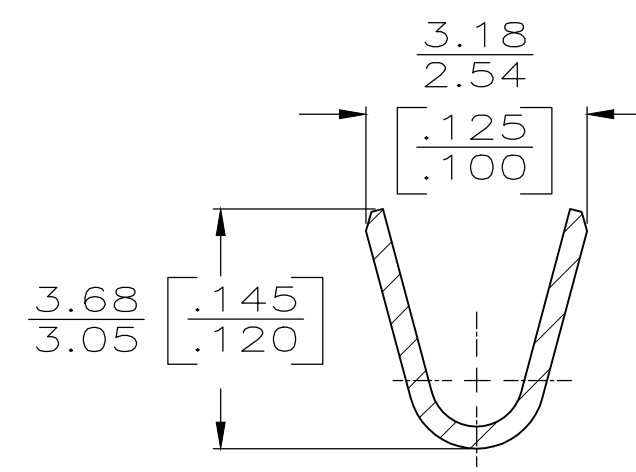
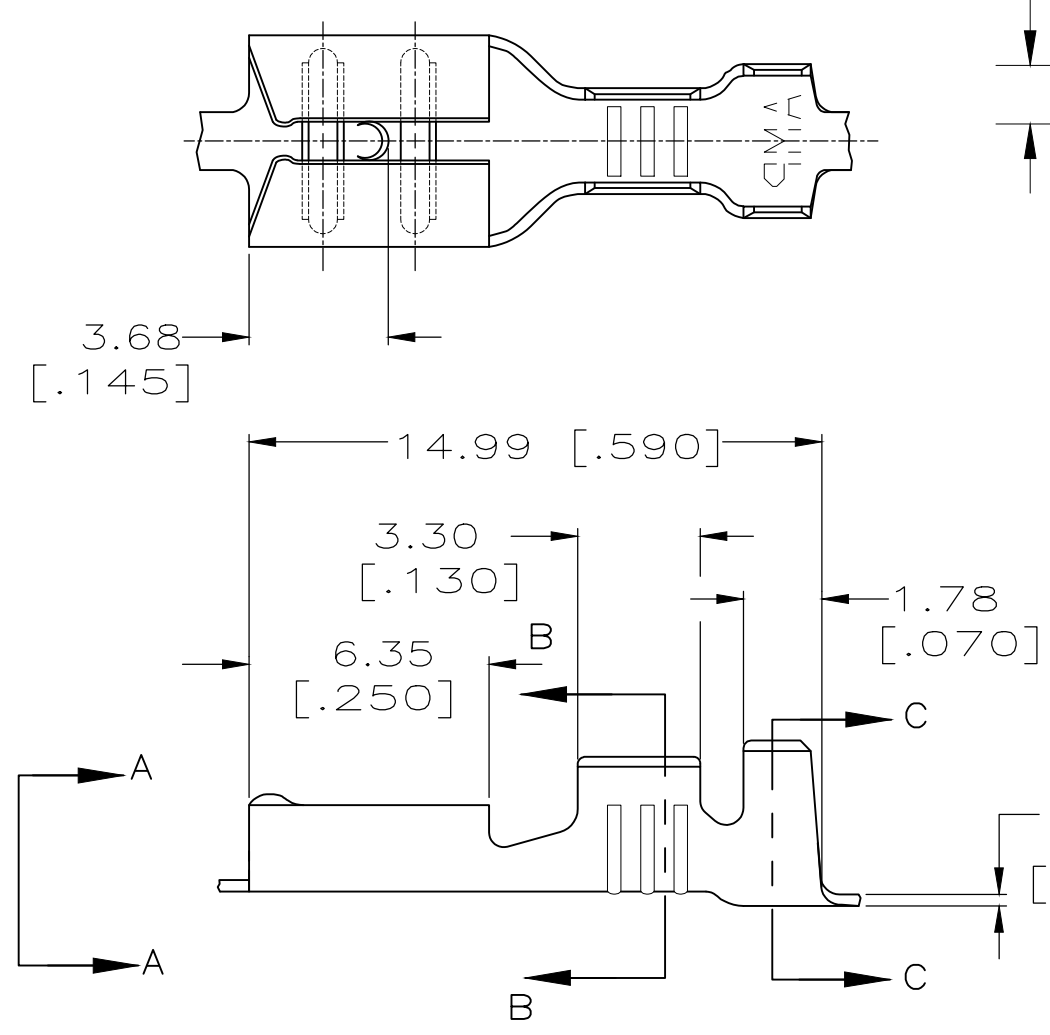
LOC	DIST	REVISIONS			
P	LTR	DESCRIPTION	DATE	DWN	APVD
AF	50				
	S2	REVISED PER ECR-15-010442	14JULY2015	PK	TD
	S3	REVISED PER ECR-20-009164	15JULY2020	MK	DH

- CONTINUOUS STRIP ON REELS.
- MATING TAB THK IS 0.84-0.76 [.033-.030].
- WIRE SIZE IS [20-16] AWG.
- INSULATION RANGE IS 2.29-3.30 [.090-.130] DIA.
- 60196-8 REFERS TO 60196-1 WITH PAPER INTERLAYER

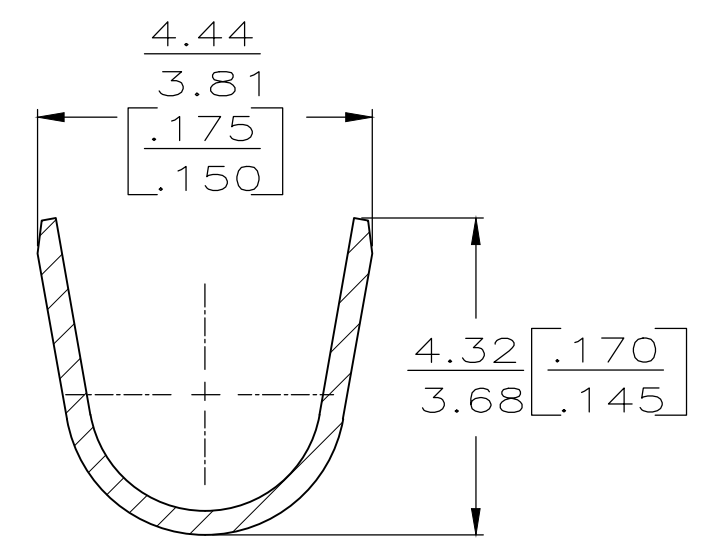
GAP AS REQUIRED TO MEET FORCE SPECIFICATIONS AND 0.71 [.028] MAX



VIEW A-A
SCALE 10:1



SECTION B-B
SCALE 10:1



SECTION C-C
SCALE 10:1

-	-	60196-8 ⁵
60196-3	TIN	60196-2
-	-	60196-1
LOOSE PIECE	FINISH	PART NO

THIS DRAWING IS A CONTROLLED DOCUMENT.		DWN	JR RUTH	8/27/91	STE TE Connectivity											
DIMENSIONS: INCHES		CHK	P FORTNEY	8/27/91												
TOLERANCES UNLESS OTHERWISE SPECIFIED:		APVD	C MEYERS	8/27/91												
<table border="0"> <tr><td>0 PLC</td><td>± -</td></tr> <tr><td>1 PLC</td><td>± -</td></tr> <tr><td>2 PLC</td><td>± 0.38 [.015]</td></tr> <tr><td>3 PLC</td><td>± -</td></tr> <tr><td>4 PLC</td><td>± -</td></tr> <tr><td>ANGLES</td><td>± -</td></tr> </table>		0 PLC	± -	1 PLC		± -	2 PLC	± 0.38 [.015]	3 PLC	± -	4 PLC	± -	ANGLES	± -	NAME	
0 PLC	± -															
1 PLC	± -															
2 PLC	± 0.38 [.015]															
3 PLC	± -															
4 PLC	± -															
ANGLES	± -															
MATERIAL	BRASS	FINISH	SEE TABLE	WEIGHT	-											
CUSTOMER DRAWING		SIZE	A3	CAGE CODE	00779											
		DRAWING NO	C-60196		RESTRICTED TO											
		SCALE	5:1	SHEET	1 OF 1											
		REV	S3													