



770 MHz Cavity Bandpass Filter

Part Number: AB770B844



Electrical specifications

Passband Frequency: 770 MHz Equiripple
Bandwidth: 12.3 MHz **Insertion Loss:** ~2 dB
Stopband Attenuation 1: 50dBc@755 MHz
Stopband Attenuation 2: 50dBc@785 MHz
Impedance: 50 Ohms In/Out
Power Handling: 50 W

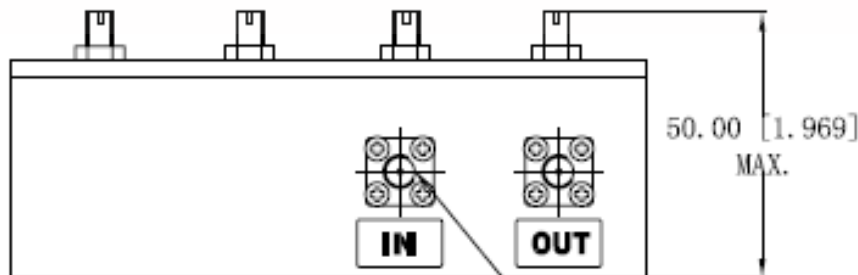
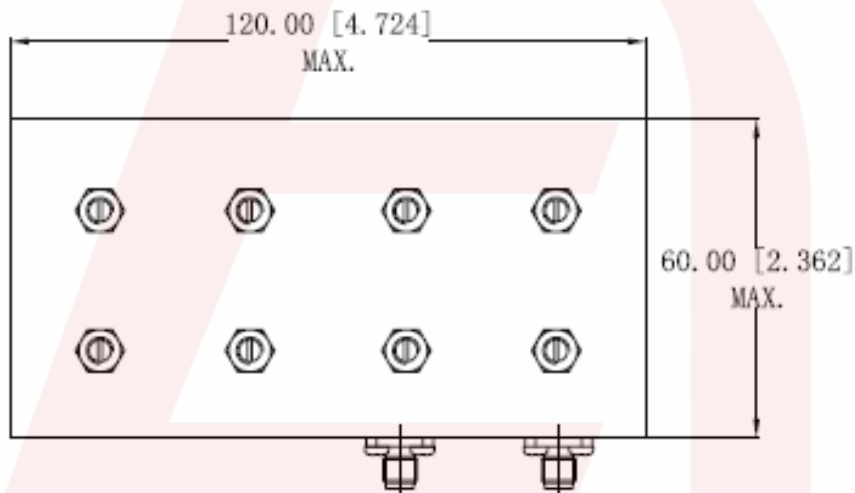
Mechanical

Mounting Method: Threaded Mounting Holes
Connector Type: SMA Female
Dimensions: 4.72" X 2.36" X 1.96" in

Environmental

Operating Temperature: -45 to +85° C
Storage Temperature: -55 to +95° C
Shock: 20 G. 11ms
Vibration: 20 G. 5 to 200 Hz

Outline Drawing:



SMA-FEMALE CONNECTORS
2 PLCS

DS-B844-03152018-Rev0



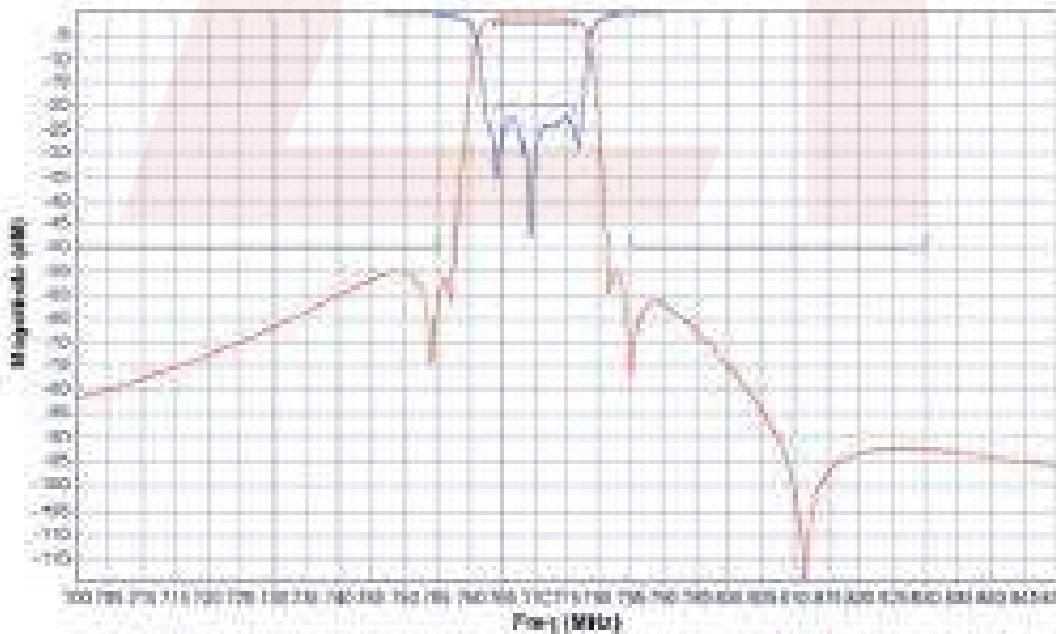
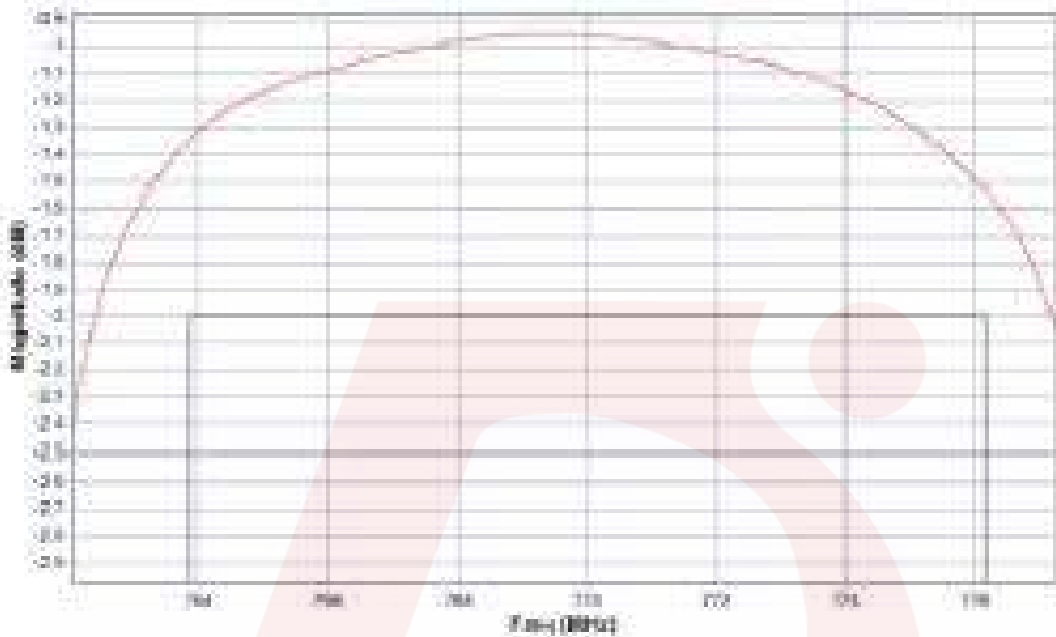
ANATECH ELECTRONICS INC
RF & Microwave Filters & Products

770 MHz Cavity Bandpass Filter

Part Number: AB770B844



Plot:



DS-B844-03152018-Rev0