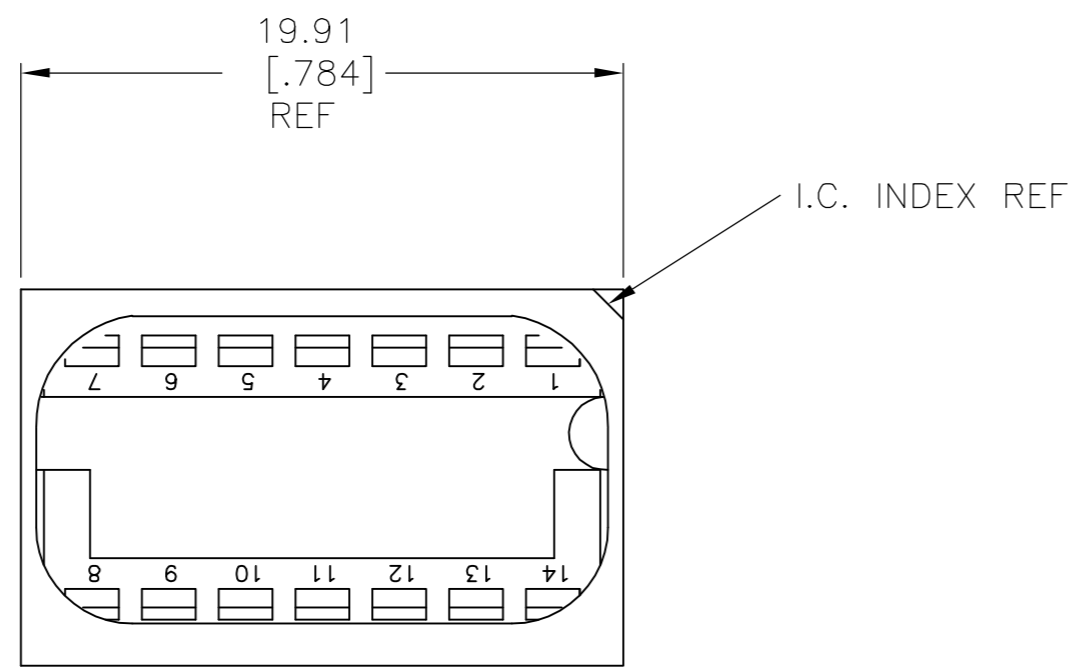
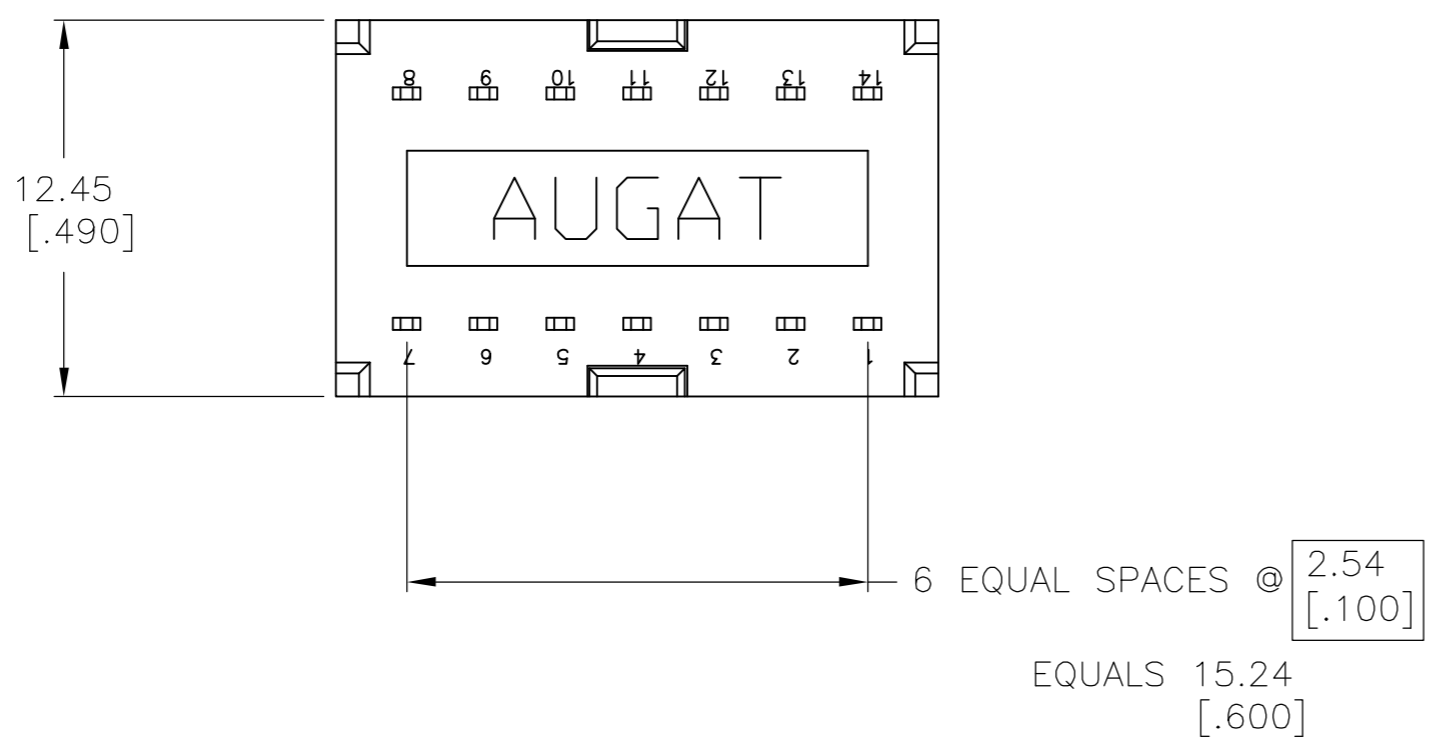
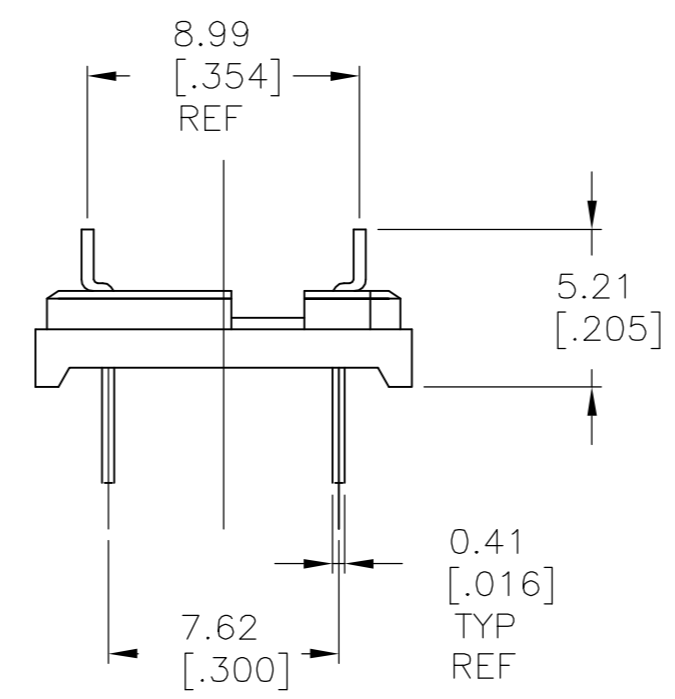
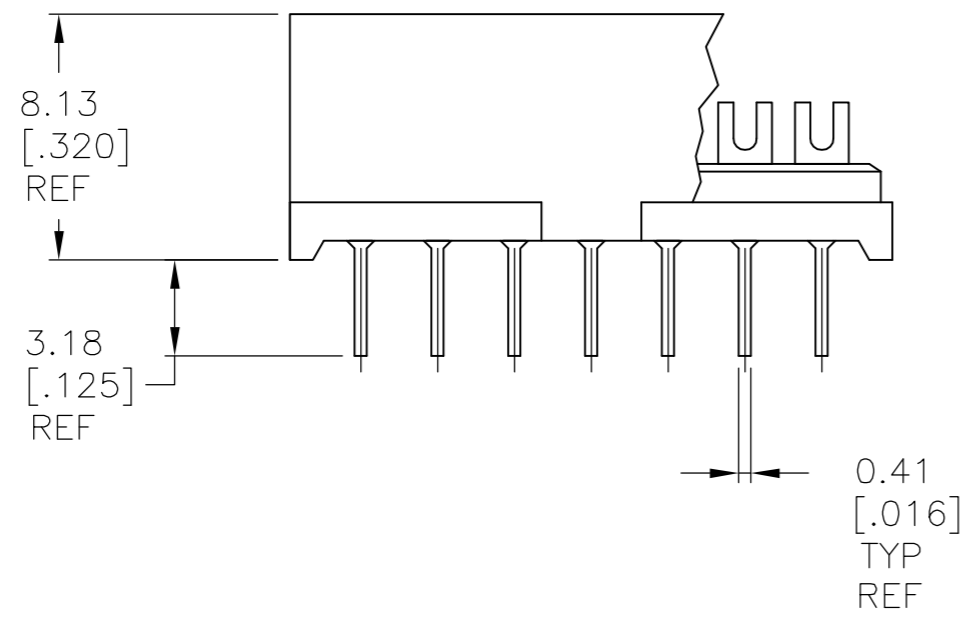


THIS DRAWING IS UNPUBLISHED. RELEASED FOR PUBLICATION
 © COPYRIGHT BY TYCO ELECTRONICS CORPORATION. ALL RIGHTS RESERVED.

LOC	DIST	REVISIONS			
P	LTR	DESCRIPTION	DATE	DWN	APVD
AD	00	A	ECO-06-24636	24OCT06	MM



- 1 INSULATOR - THERMOPLASTIC POLYESTER, UL RATED 94-VO, COLOR-BLACK
COVER - THERMOPLASTIC POLYESTER, UL RATED 94-VO, COLOR-BLACK
- 2 CONTACT: PHOSPHOR BRONZE, GOLD PLATE 0.0005[.00002] MIN THICK
- 3 CONTACT: PHOSPHOR BRONZE, TIN PLATE 0.0005[.00002] MIN THICK
- 4 CONTACT: PHOSPHOR BRONZE, MATTE TIN PLATE 0.0005[.00002] MIN THICK



THIS DRAWING IS A CONTROLLED DOCUMENT.		DWN M.BIINER	24OCT2006	tyco Tyco Electronics Corporation	
DIMENSIONS: mm [INCHES]		CHK M.MILLER		Harrisburg, PA 17105-3608	
TOLERANCES UNLESS OTHERWISE SPECIFIED:		APVD M.MILLER		NAME ADAPTER PLUG ASSEMBLY	
0 PLC ± -		PRODUCT SPEC		SIZE CAGE CODE DRAWING NO RESTRICTED TO	
1 PLC ± -		APPLICATION SPEC		A2	00779 C=2-1437515-5
2 PLC ± 0.13[.005]				SCALE	SHEET 1 of 1
3 PLC ± -				4:1	REV A
4 PLC ± -					
ANGLES ± 1°					
MATERIAL	FINISH	WEIGHT			
1	SEE TABLE	-			
CUSTOMER DRAWING					