

PART NO.	ENG. NO.
18-12-1222	2047-(K(P90)DL
18-12-1221	2047-(K(P90)I

**LEGEND**

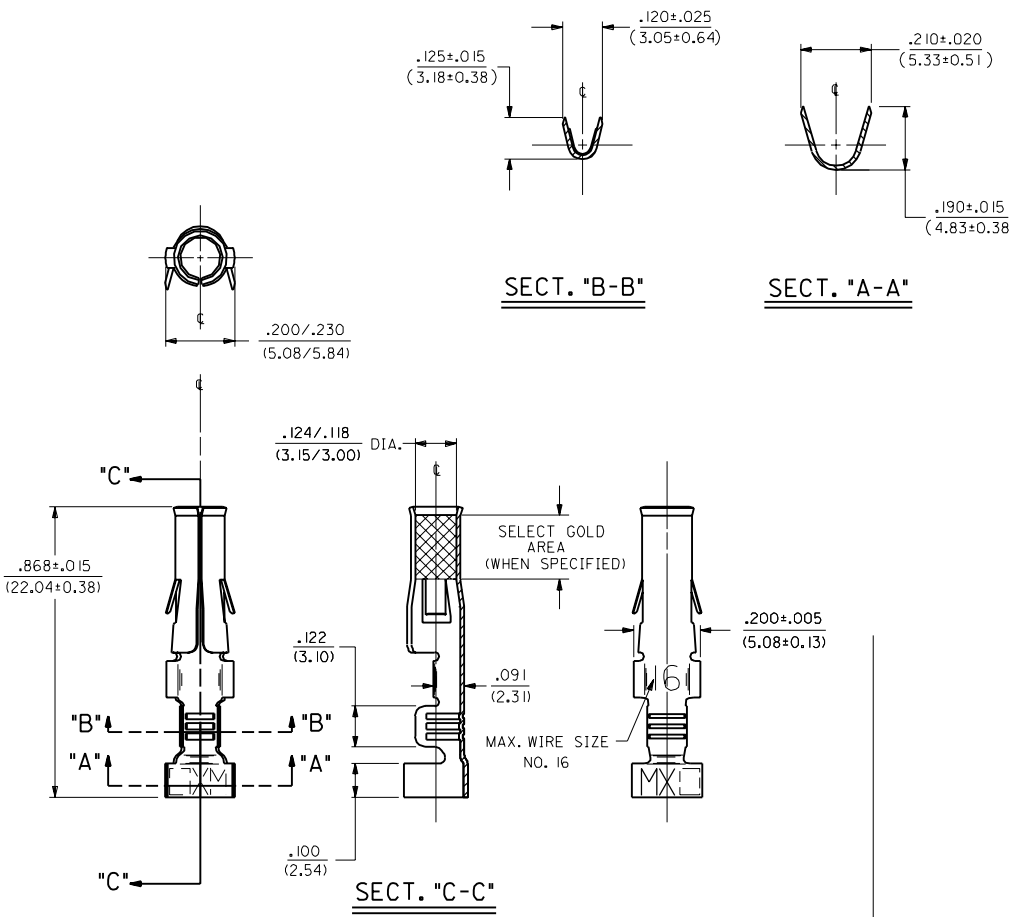
2047-I(\*\*\*\*)\*

- VERSION
- .120/(3.05) MAX. DIA. INSULATION
- P=PREPLATE
- BLANK=POSTPLATE
- FINISH CODE
- FORM BLANK=CHAIN
- L=LOOSE

- NOTES:**
- TERMINAL FOR USE WITH .125/(3.17) SERIES HOUSINGS AND WILL ACCEPT 16 THRU 18 AWG WIRE HAVING A .120/(3.05) MAX. DIAMETER INSULATION.
  - INSERTION FORCE: 6.0 LBS. MAX. WHEN TERMINAL IS INSERTED INTO .125/(3.17) DIA. CORE HOLE.
  - PULL OUT FORCE: 30 LBS. MIN. RETENTION IN HOUSING.

**FINISH CODES:**

901 HOT TIN DIP .000020/(0.0005) MIN.



**MATERIAL NOTES:**

1. CARTRIDGE BRASS, ALLOY #C26000;  
.013/(0.33) THICK, SPRING TEMPER

REV.	DATE	BY	REVISIONS
E1			OBS. - (K555) & - (K555)L ECR UB 0379 KC 9/21/95 RW
E			ADD SELECT AREA ECR #UO 0230 3-5-90 RW
D			REVISE PER ECR US 1189 11-28-89 TRM
C			REV. & REDRAWN ECR UB 1941 KBW 10-4-88 RW

DIMENSIONS SHOWN METRIC (INCH) UNLESS OTHERWISE SPECIFIED		TITLE	REVISE ONLY ON CAD SYSTEM	
3 PLACE ± .010 ---		CRIMP TERMINAL, FEMALE, .125/(3.17) DIA 16-18 AWG .120/(3.05) DIA. INSUL.	SHEET NO.	DATE
2 PLACE ± .014 ± 0.25		MOLEX INCORPORATED	1 OF 1	10 / 4 / 88
1 PLACE --- ± 0.35			L1S1EJLL 60532 U.S.A.	
DRAFT WHERE APPLICABLE MUST REMAIN WITHIN DIMENSIONS		PART NO. SD-2047-1		
DRWG. BY: KBW		DRAWN BY: RW		
APP'D. BY: RAS		SCALE: 4 : 1		
THIS DRAWING CONTAINS INFORMATION THAT IS PROPRIETARY TO MOLEX INC. AND SHOULD NOT BE USED WITHOUT WRITTEN PERMISSION.				