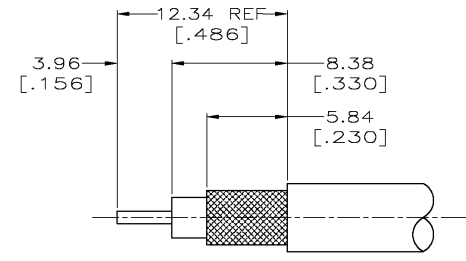
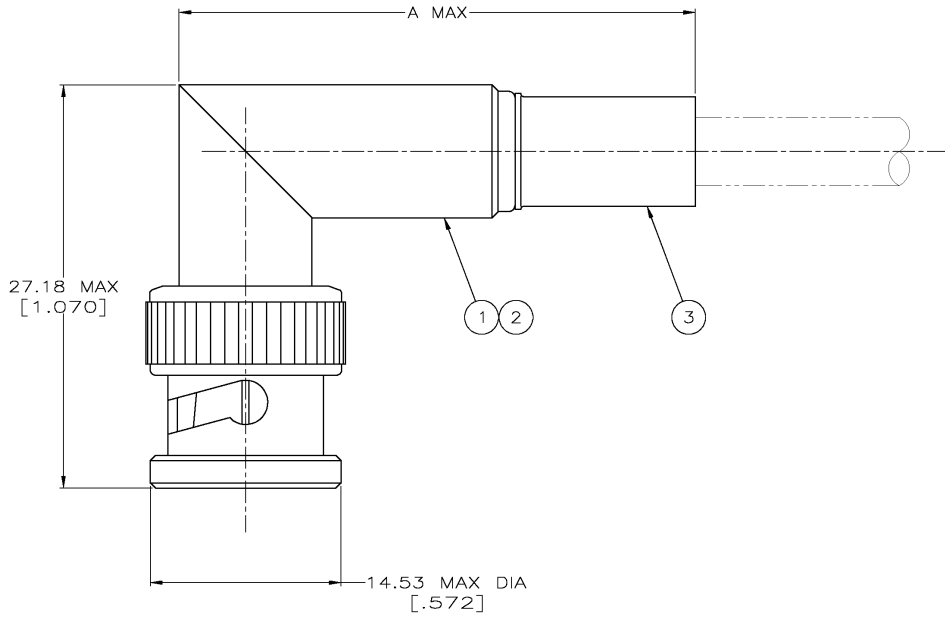


- ① USE WITH PRO-CRIMPER II
- ② SEE SEPERATE RESTRICTED CUSTOMER DRAWING WITH THIS PART NUMBER.
- 3. USE INSTRUCTION SHEET 9781



RECOMMENDED STRIP LENGTH

OBSOLETE OBSOLETE SUPSD BY 413588-3	AT&T 735	58174-1	39.88 [1.570]	3-328666-3	221200-9	413947-2	221402-7
	-	-	-	-	-	-	221402-6
	BELDEN 8281, 9231 AND WECO 728	220189-7	41.78 [1.645]	1-50427-6	2-221200-5	413947-3	221402-5
	BELDEN 9145	58085-1	39.88 [1.570]	50428-2	2-221200-5	413947-6	221402-4
	BELDEN 8218	58174-1	39.88 [1.570]	2-329461-7	221200-9	413947-2	221402-3
	RG-59/U, 59A/U, 59B/U	58085-1	39.88 [1.570]	50428-2	221200-3	413947-6	221402-2
	BELDEN 9248 & MADISON W/18AWG C/C	58086-1	39.88 [1.570]	50427-6	3-221200-2	413947-5	221402-1
	CABLE	DIE SET	A	③ FERRULE QTY=1	② CONTACT QTY=1	① PLUG ASSEMBLY QTY=1	PART NUMBER

DIMENSIONS: mm[INCHES]		TOLERANCES UNLESS OTHERWISE SPECIFIED: 0 P.L.C ± 1 P.L.C ± 2 P.L.C ±0.41[.016] 3 P.L.C ± 4 P.L.C ± ANGLES ± FINISH -		DWN J. LIPPERT OSJANG7 CHK M. PHILLIPS OSJANG7 APVD M. PHILLIPS OSJANG7 NAME PRODUCT SPEC 108-12020 APPLICATION SPEC - WEIGHT - CUSTOMER DRAWING		AMP Incorporated Harrisburg, PA 17105-3608 SIZE A2 CAGE CODE 00779 DRAWING NO C-221402 RESTRICTED TO - SCALE 4:1 SHEET 1 OF 1 REV L	
---------------------------	--	---	--	---	--	---	--