

RoHS COMPLIANT BY EXEMPTION

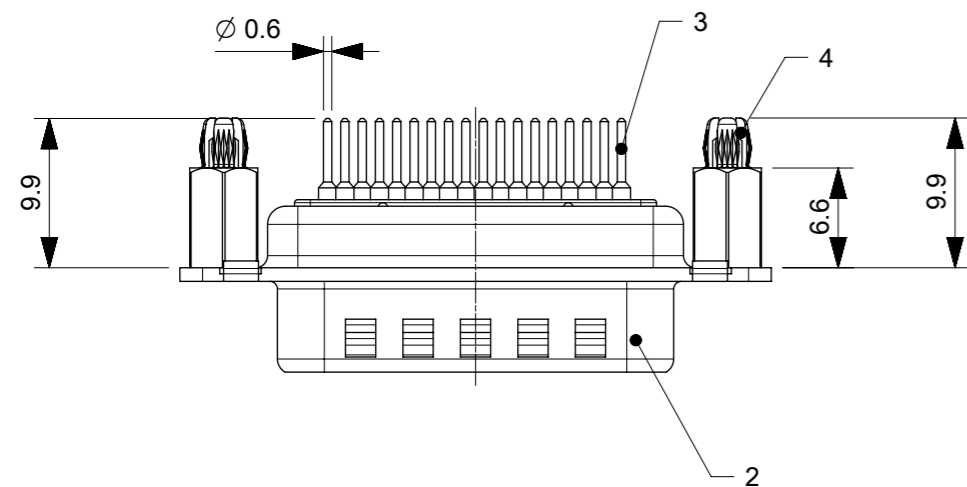


TABLE FOR PART NUMBERS

MOLEX PART#	FCT PART#	X-X	A [mm]	B [mm]	C [mm]	E[mm]	F[mm]	NO. OF CONTACTS 1./2./3. ROW	FORMERLY PART NO
1731130141	F09-15P1G0-5337	09-15	30.8	16.9	25	Ø1	Ø3	5/5/5	CT09-15P1-5688
1731130142	F15-26P1G0-5337	15-26	39.1	25.2	33.3			9/9/8	
1731130143	F25-44P1G0-5337	25-44	53	38.9	47.04			15/15/14	

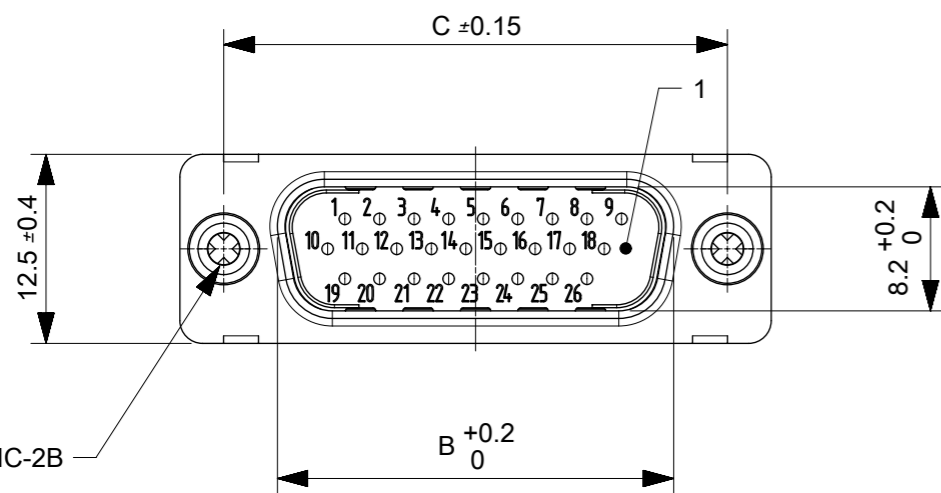
*PCB HOLE PATTERNS, ØE, ØF, ON SUPPLEMENT 1731131001

TABLE FOR GENERAL TOLERANCES

PERMISSIBLE DEVIATIONS FOR BASIC SIZE RANGE				
0.5 UPTO	OVER 3 UPTO	OVER 6 UPTO	OVER 30 UPTO	OVER 120 UPTO
3	6	30	120	400
±0.1	±0.1	±0.2	±0.3	±0.5

X-X NO. OF CONTACTS 09-15, 15-26, 25-44

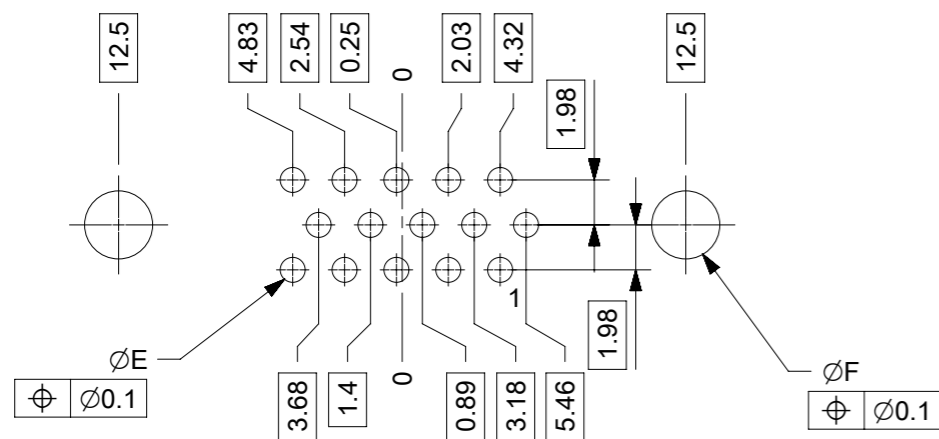
4	2	SNAP-IN BOLT	PCB 1.6mm / BRASS	TIN PLATED
3	X-X	SIGNAL CONTACT, MACHINED	HP1 / BRASS	0.8µm Au
2	1	SHELL	STEEL	TIN PLATED
1	1	INSULATOR	THERMOPLASTIC, GF	BLACK
NO.	St.	PART	TYPE DESCRIPTION/MATERIAL	SURFACE PLATING/COLOUR/CLASS



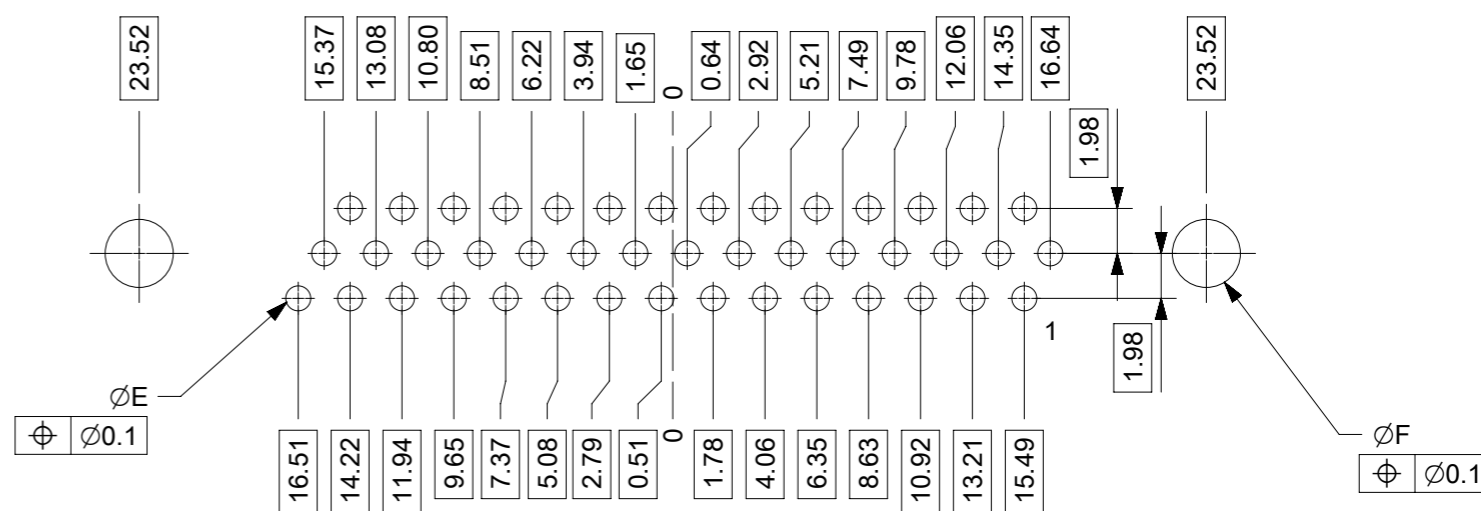
THIS DRAWING CONTAINS INFORMATION THAT IS PROPRIETARY TO MOLEX ELECTRONIC TECHNOLOGIES, LLC AND SHOULD NOT BE USED WITHOUT WRITTEN PERMISSION

DRAWING UPDATED 2017/08/30	EC NO: 121239 DRWN: ISHWARG CHK'D: KPRASAD APPR: KPRASAD	GENERAL TOLERANCES (UNLESS SPECIFIED)		DIMENSION UNITS	SCALE	molex HPD HIGH DENSITY D-SUB, STRAIGHT PCB CONNECTOR, WITH MACHINED MALE CONTACTS				
		ANGULAR TOL ± °		mm	2:1					
		4 PLACES ±	3 PLACES ±	DRWN BY	DATE					
		2 PLACES ±	1 PLACE ±	RLALSANGI	2017/04/11					
DRAFT WHERE APPLICABLE MUST REMAIN WITHIN DIMENSIONS		0 PLACES ±		CHK'D BY	DATE	PRODUCT CUSTOMER DRAWING				
A1		DRAWING SIZE		ISHWARG	2017/06/07					
A3		THIRD ANGLE PROJECTION		APPR BY	DATE					
A1		A3		ISHWARG 2017/06/07		SERIES	MATERIAL NUMBER	CUSTOMER		
A1		A3		ISHWARG 2017/06/07		173113	SEE TABLE	GENERAL MARKET		
A1		A3		ISHWARG 2017/06/07		DOCUMENT NUMBER		DOC TYPE	DOC PART	SHEET NUMBER
A1		A3		ISHWARG 2017/06/07		1731130141		PSD	000	1 OF 1

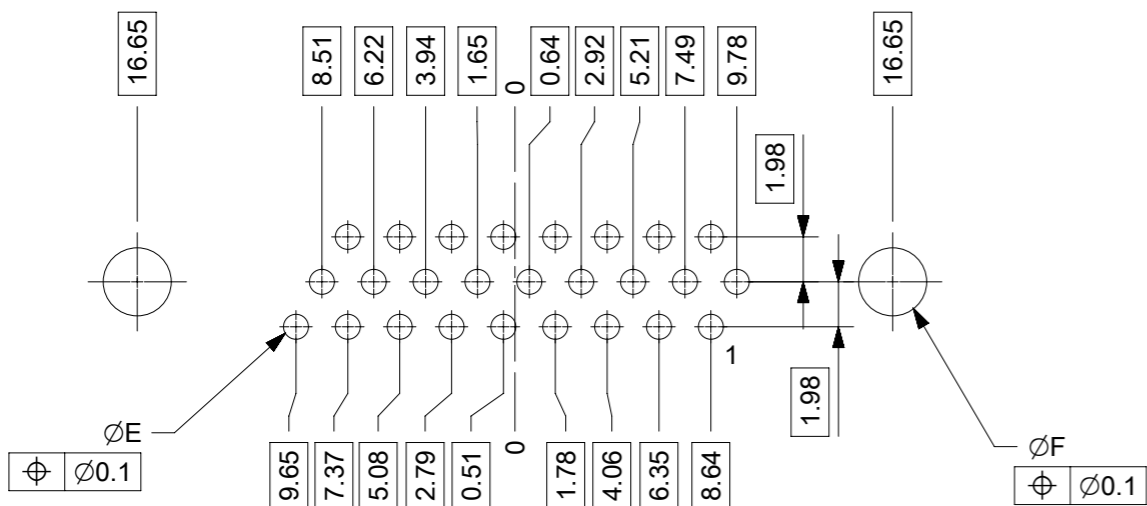
PCB 09-15



PCB 25-44



PCB 15-26



VIEW ON MOUNTING SIDE

ϕE , ϕF , SEE DATA SHEET INCL. CONNECTOR
 ϕF , CONNECTORS WITH ACCESSORIES ONLY

THIS DRAWING CONTAINS INFORMATION THAT IS PROPRIETARY TO MOLEX ELECTRONIC TECHNOLOGIES, LLC AND SHOULD NOT BE USED WITHOUT WRITTEN PERMISSION

EC NO: 117803 DRWN: RLALSANGI CHK'D: ISHWARG APPR: ISHWARG	2017/04/20 2017/06/07 2017/06/07	GENERAL TOLERANCES (UNLESS SPECIFIED) ANGULAR TOL \pm	DIMENSION UNITS: MM SCALE: 2:1			
	4 PLACES \pm 3 PLACES \pm 2 PLACES \pm 1 PLACE \pm 0 PLACES \pm	DRWN BY: RLALSANGI DATE: 2017/04/20	CHK'D BY: ISHWARG DATE: 2017/06/07			
	DRAFT WHERE APPLICABLE MUST REMAIN WITHIN DIMENSIONS	APPR BY: ISHWARG DATE: 2017/06/07	DRAWING SIZE: A3 THIRD ANGLE PROJECTION	PRODUCT CUSTOMER DRAWING		
	A	REV	DRWG NO: 173113			
RELEASE STATUS: P1 RELEASE DATE: 07.06.2017 15:18:16			DOCUMENT NUMBER: 1731131001		DOC TYPE: PSD DOC PART: 000 SHEET NUMBER: 1 OF 1	