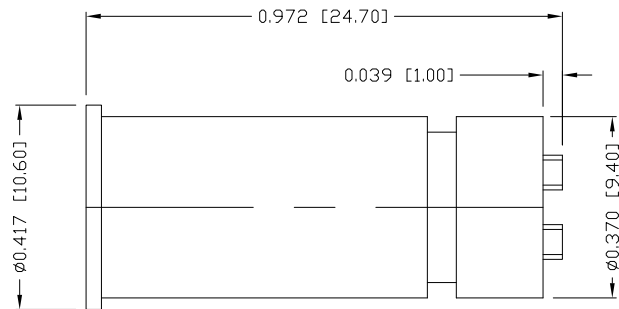
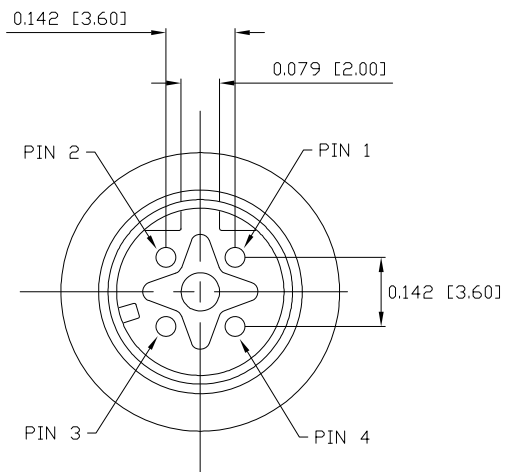


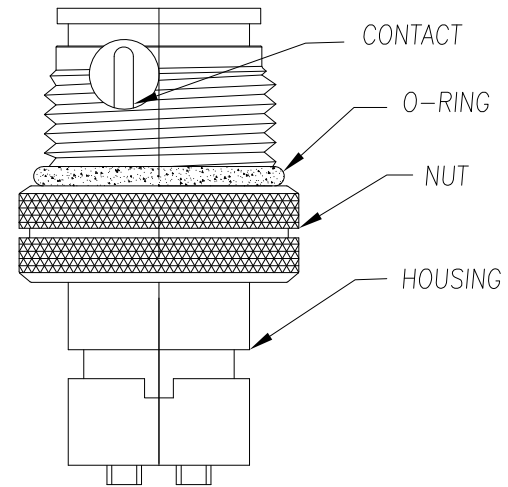
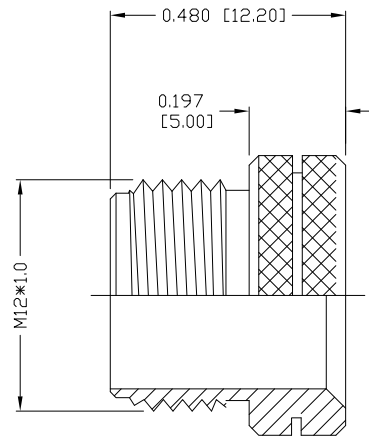
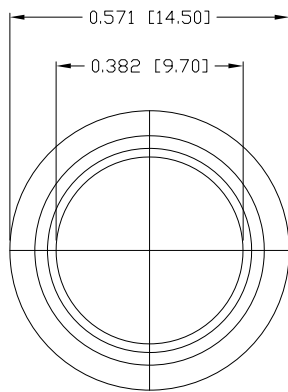
DESCRIPTION: M12 MALE - CABLE MOUNT - 4 POS. - D CODE



NOTE:
MATERIAL
 HOUSING: PBT UL94V-0, BLACK
 CONTACT: BRASS
 NUT: BRASS
 O-RING: EPDM, BLACK
FINISH
 CONTACT: GOLD PLATED OVER 50µ" NICKEL NICKEL PLATED
ELECTRICAL
 RATED CURRENT: 4A
 RATED VOLTAGE: 250V
 INSULATION RESISTANCE: 100 MΩhms MIN.
 CONTACT RESISTANCE: 10 mΩhms MAX.
 WATER PROOF: IP67
ENVIRONMENT
 OPERATION TEMPERATURE: -40°C TO +85°C
 MAX WIRE AWG: 22

858-D04-103RSUY

- 3 = BRASS/NICKEL NUT
- S = STAINLESS STEEL NUT
- 1 = GOLD FLASH
- 4 = 10µ" GOLD



RoHS COMPLIANT

UNITS = INCHES [MM]

DO NOT SCALE FROM DRAWING



THESE DRAWINGS AND SPECIFICATIONS ARE THE PROPERTY OF NorComp AND SHALL NOT BE REPRODUCED, COPIED OR USED AS THE BASIS FOR THE MANUFACTURE OR SALE OF APPARATUS WITHOUT WRITTEN PERMISSION.

DRAWN: M. SIGMON

DATE: 05-13-16

NorComp

SCALE: NTS SHEET 1 OF 1 REV 3

DWG NO. 858-D04-103RSUY