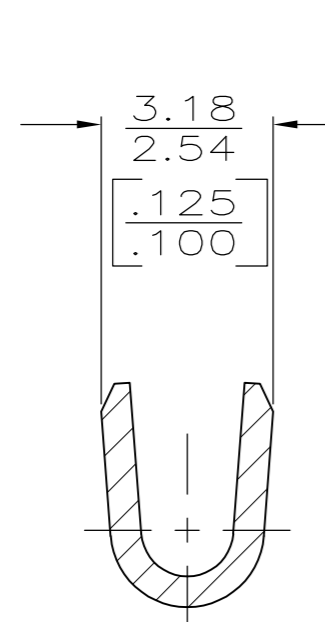
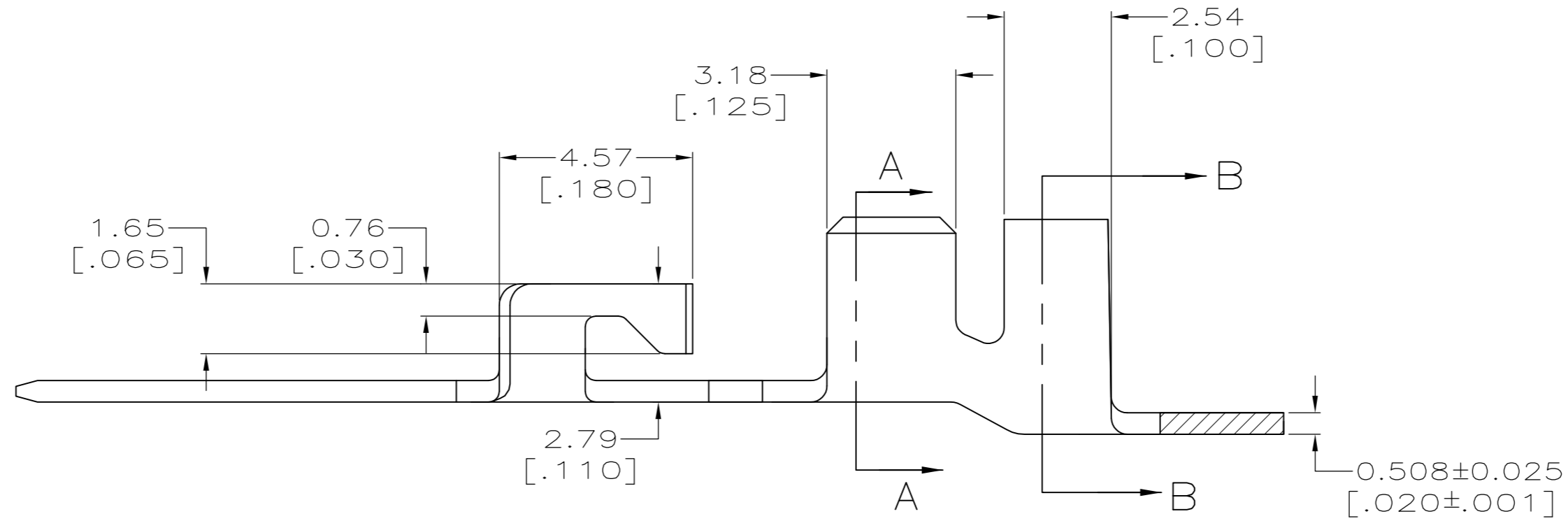
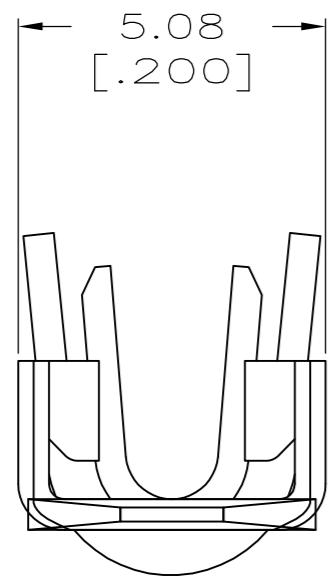
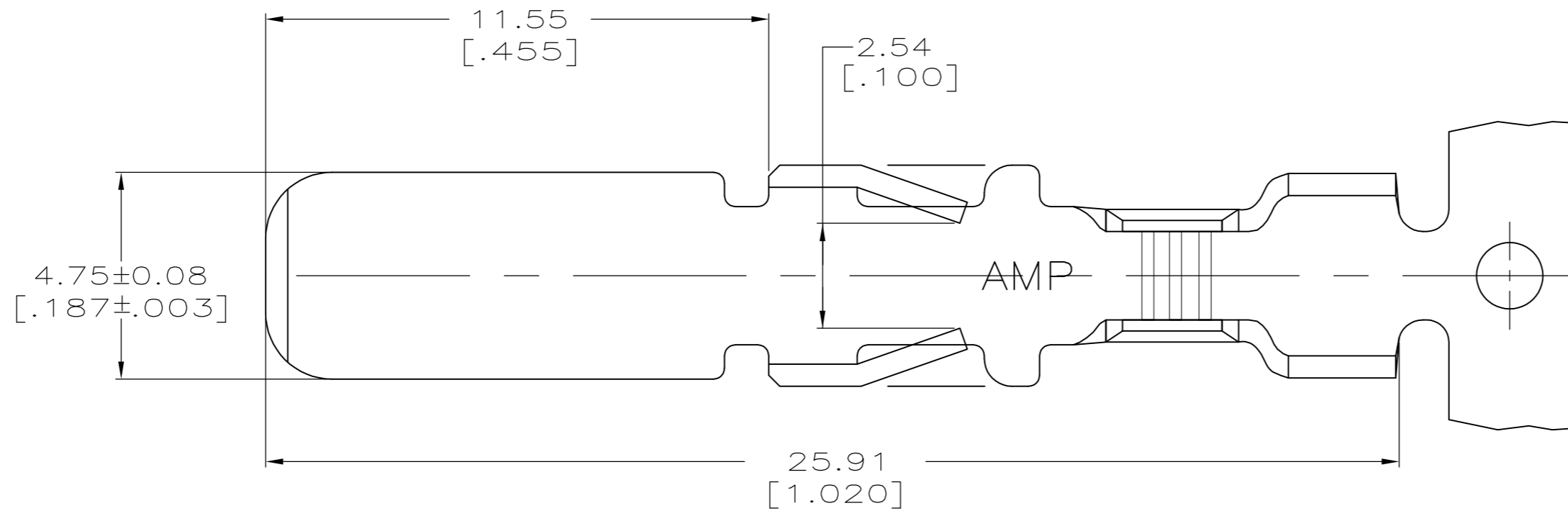


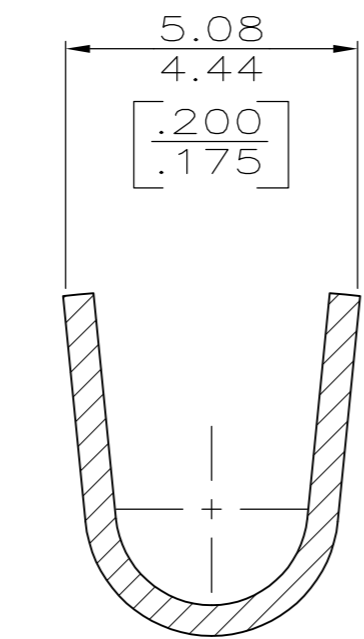
THIS DRAWING IS UNPUBLISHED. RELEASED FOR PUBLICATION  
 © COPYRIGHT - By - ALL RIGHTS RESERVED.

LOC	DIST	REVISIONS					
AF	50	P	LTR	DESCRIPTION	DATE	DWN	APVD
		D1		REVISED PER ECR-12-019658	23NOV12	KH	GJ

- 1 CONTINUOUS STRIP ON REEL.
- 2 INSULATION DIAMETER 3.12[.123] MAXIMUM
- 3 WIRE SIZE 0.5 - 1.3 mm<sup>2</sup> [#20 - #16 AWG]



SECTION A-A



SECTION B-B

2	3	1217716-1
INSULATION RANGE	WIRE RANGE	PART NUMBER

THIS DRAWING IS A CONTROLLED DOCUMENT.		DWN	JR RUTH	27SEP01
DIMENSIONS:		CHK	D.F. DECKER	27SEP01
mm [INCHES]		APVD	D.F. DECKER	27SEP01
TOLERANCES UNLESS OTHERWISE SPECIFIED:		NAME		
0 PLC	± -	D.F. DECKER		
1 PLC	± -	PRODUCT SPEC		
2 PLC	± 0.25 [.010]	APPLICATION SPEC		
3 PLC	± -	WEIGHT		
4 PLC	± -	MATERIAL		
ANGLES	± -	FINISH		
MATERIAL		POST PLATED TIN		
BRASS		CUSTOMER DRAWING		
SIZE		A2	CAGE CODE	00779
DRAWING NO		C=1217716		
RESTRICTED TO		-		
SCALE		8:1		
SHEET		1 of 1		
REV		D1		

**TE** TE Connectivity

CONTACT,  
4.75 [.187] BLADE

1217716